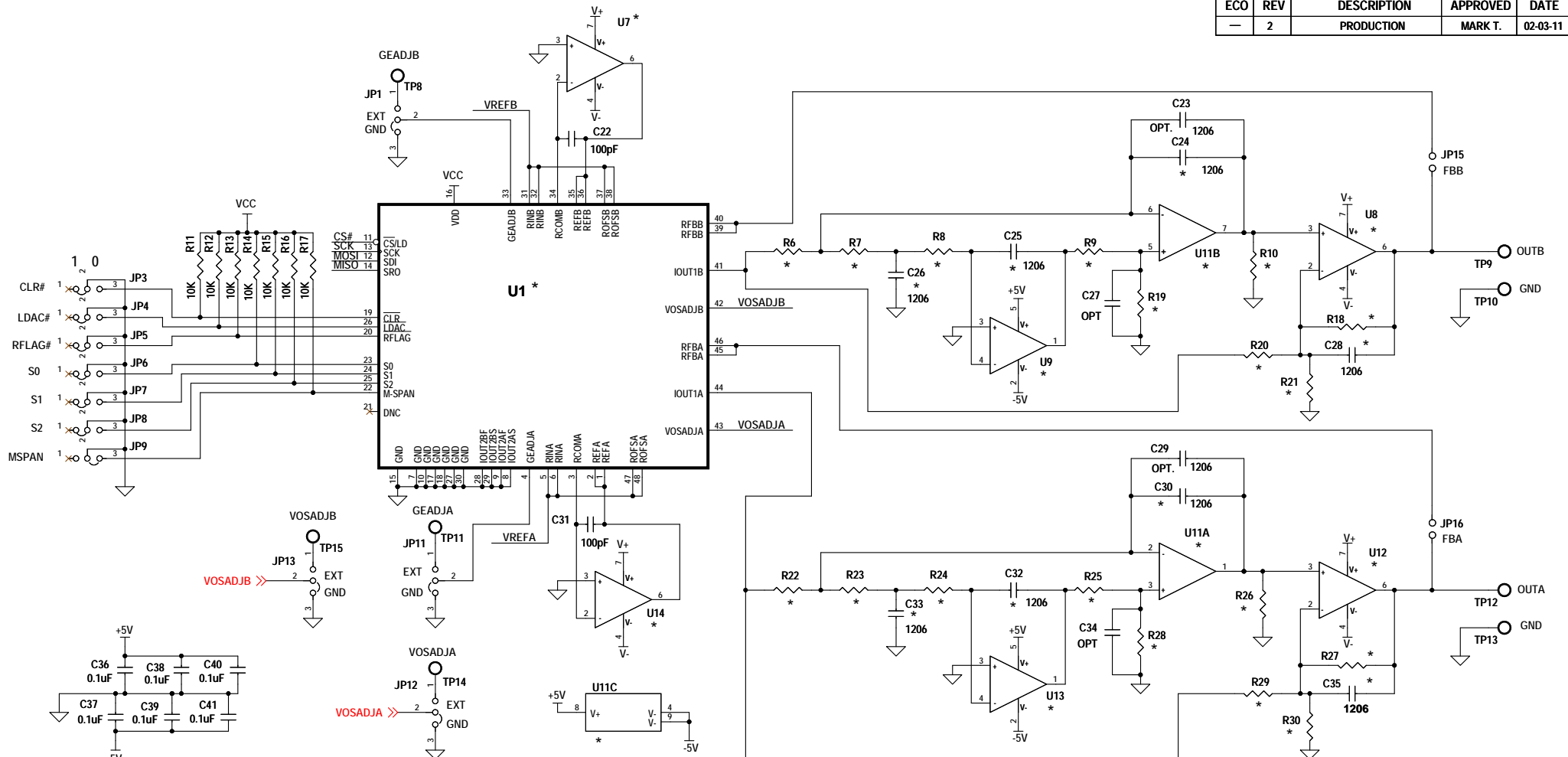


REVISION HISTORY				
ECO	REV	DESCRIPTION	APPROVED	DATE
-	2	PRODUCTION	MARK T.	02-03-11



ASSY	-BIT	U1	U7, U14	U8, U12	U9, U13	U11
-A	18	LTC2758ACLX	LT1012AC8	LT1360CS8	LTC2054HVC55	LTC6244HVCCD
-B	16	LTC2752ACLX	LT1468CS8	LT1468CS8	OPT	OPT

ASSY	R6	R7	R8	R9	R10	R18	R19	R20	R21	R22	R23	R24	R25	R26	R27	R28	R29	R30
-A	1K	10K	10K	1K	OPT	4.02K	10	OPT	1K	1K	10K	10K	1K	OPT	4.02K	10	OPT	1K
-B	OPT	OPT	OPT	OPT	0	OPT	OPT	0	OPT	OPT	OPT	OPT	OPT	0	OPT	OPT	0	OPT

ASSY	C24	C25	C26	C28	C30	C32	C35
-A	100pF	1uF	1uF	OPT	100pF	1uF	OPT
-B	OPT	OPT	OPT	33pF	OPT	OPT	33pF

NOTE: UNLESS OTHERWISE SPECIFIED

- ALL RESISTORS ARE 0603.
ALL CAPACITORS ARE 0603.
- INSTALL SHUNTS AS SHOWN.

S2	S1	S0	SPAN
0	0	0	0→5
0	0	1	0→10
0	1	0	-5→5
0	1	1	-10→10
1	0	0	-2.5→2.5
1	0	1	-2.5→7.5

VREFA >> VREFA
 VREFB >> VREFB
 CS# >> CS#
 SCK >> SCK
 MOSI >> MOSI
 MISO >> MISO

CUSTOMER NOTICE

LINEAR TECHNOLOGY HAS MADE A BEST EFFORT TO DESIGN A CIRCUIT THAT MEETS CUSTOMER-SUPPLIED SPECIFICATIONS; HOWEVER, IT REMAINS THE CUSTOMER'S RESPONSIBILITY TO VERIFY PROPER AND RELIABLE OPERATION IN THE ACTUAL APPLICATION. COMPONENT SUBSTITUTION AND PRINTED CIRCUIT BOARD LAYOUT MAY SIGNIFICANTLY AFFECT CIRCUIT PERFORMANCE OR RELIABILITY. CONTACT LINEAR TECHNOLOGY APPLICATIONS ENGINEERING FOR ASSISTANCE.

THIS CIRCUIT IS PROPRIETARY TO LINEAR TECHNOLOGY AND SUPPLIED FOR USE WITH LINEAR TECHNOLOGY PARTS.

APPROVALS

PCB DES.	JW
APP ENG.	MARK T.

SCALE = NONE

LINEAR TECHNOLOGY

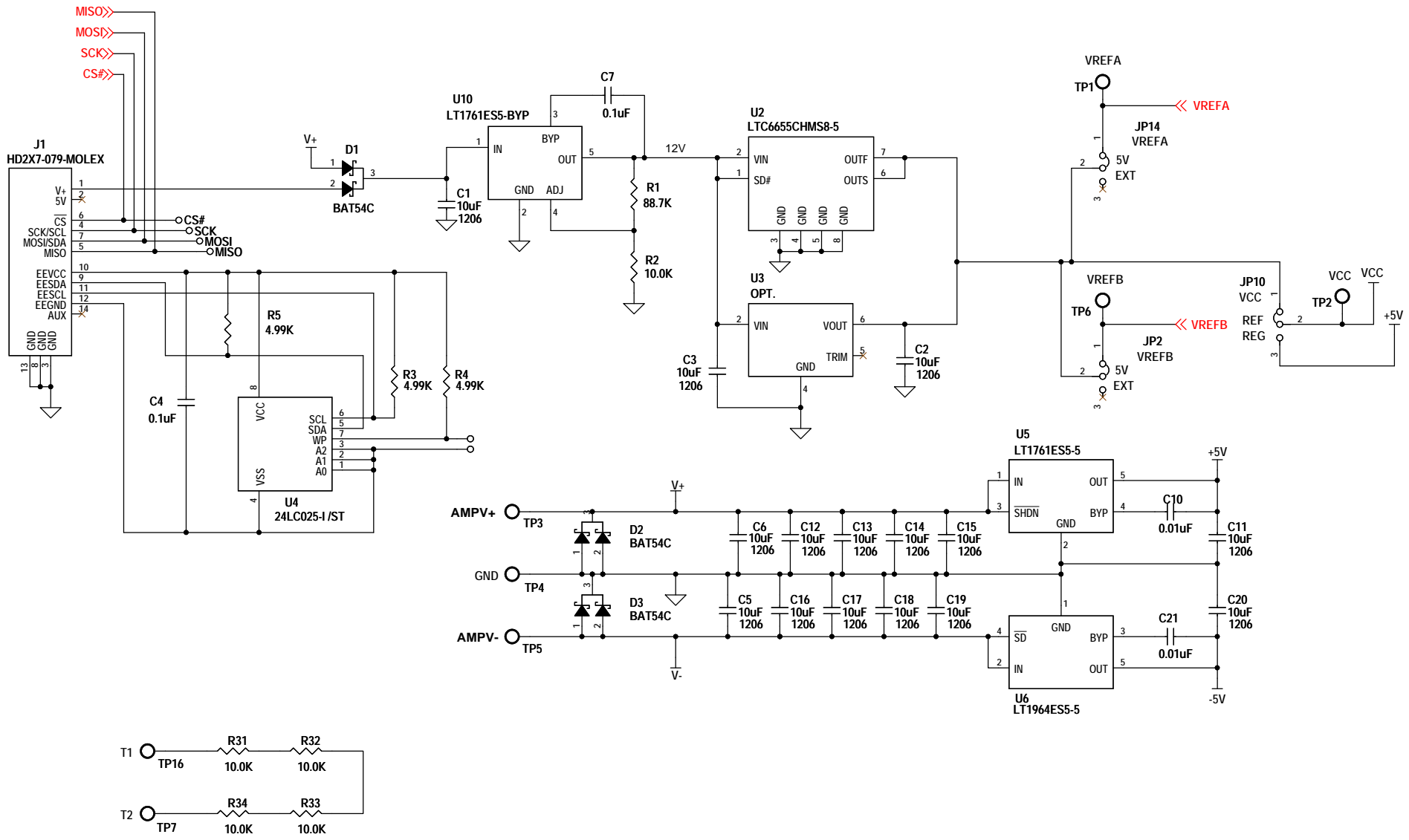
1630 McCarthy Blvd.
Milpitas, CA 95035
Phone: (408)432-1900 www.linear.com
Fax: (408)434-0507
LTC Confidential-For Customer Use Only

TITLE: SCHEMATIC

DUAL, SPI, IOUT, 18/16-BIT DAC

SIZE	IC NO.	REV.
N/A	LTC2758/2ACLX DEMO CIRCUIT 1684A	2

DATE: 2/3/2011 SHEET 1 OF 2



<p>CUSTOMER NOTICE</p> <p>LINEAR TECHNOLOGY HAS MADE A BEST EFFORT TO DESIGN A CIRCUIT THAT MEETS CUSTOMER-SUPPLIED SPECIFICATIONS; HOWEVER, IT REMAINS THE CUSTOMER'S RESPONSIBILITY TO VERIFY PROPER AND RELIABLE OPERATION IN THE ACTUAL APPLICATION. COMPONENT SUBSTITUTION AND PRINTED CIRCUIT BOARD LAYOUT MAY SIGNIFICANTLY AFFECT CIRCUIT PERFORMANCE OR RELIABILITY. CONTACT LINEAR TECHNOLOGY APPLICATIONS ENGINEERING FOR ASSISTANCE.</p>		<p>APPROVALS</p>		<p>1630 McCarthy Blvd. Milpitas, CA 95035 Phone: (408)432-1900 www.linear.com Fax: (408)434-0507 LTC Confidential-For Customer Use Only</p>	
		PCB DES.	JW		
<p>THIS CIRCUIT IS PROPRIETARY TO LINEAR TECHNOLOGY AND SUPPLIED FOR USE WITH LINEAR TECHNOLOGY PARTS.</p>		<p>SCALE = NONE</p>		<p>TITLE: SCHEMATIC DUAL, SPI, IOUT, 18/16-BIT DAC</p>	
		SIZE	IC NO.	<p>LTC2758/2ACLX</p>	
		N/A	<p>DEMO CIRCUIT 1684A</p>		REV. 2
		DATE:	<p>2/3/2011</p>		SHEET 2 OF 2