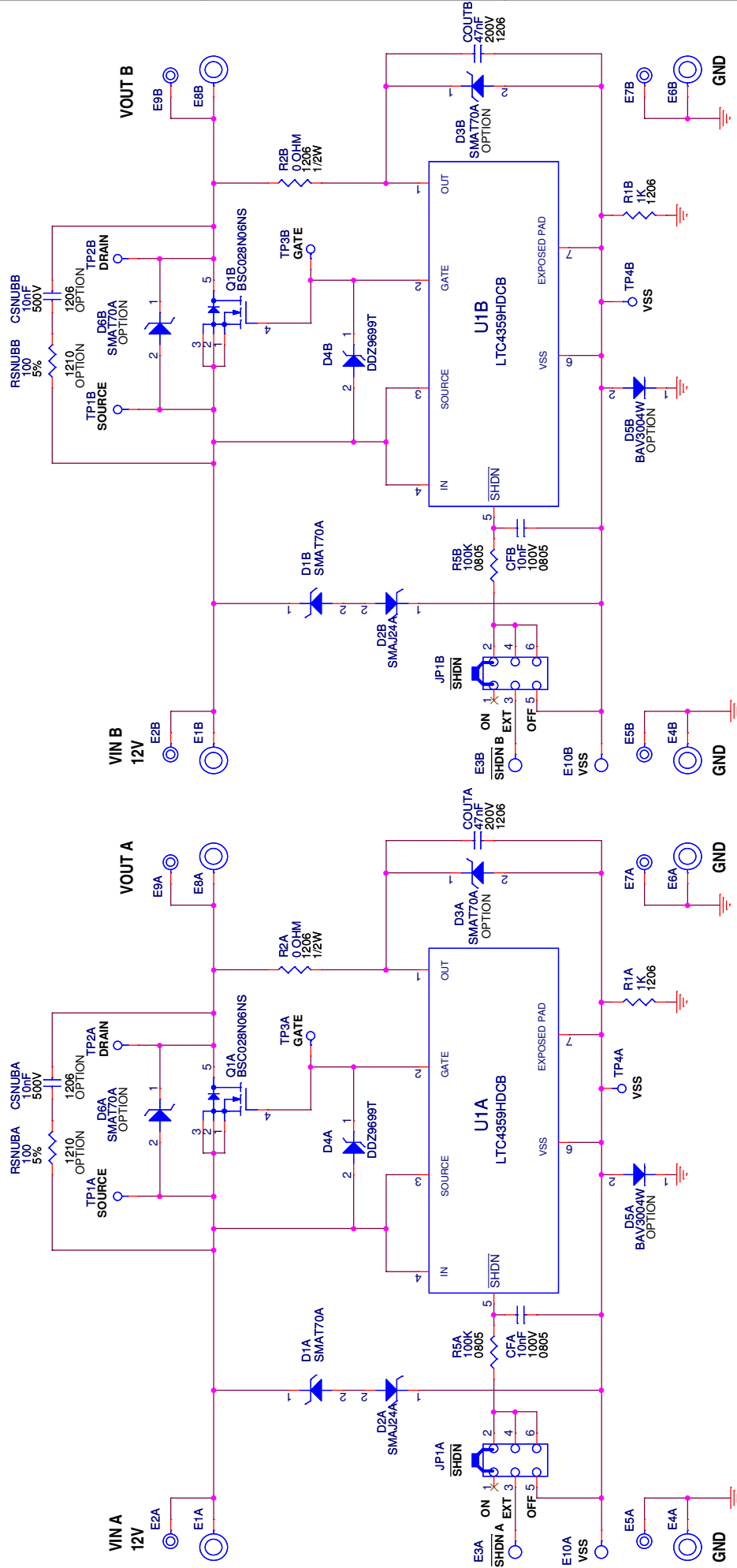


REVISION HISTORY				
ECO	REV	DESCRIPTION	APPROVED	DATE
-	4	PRODUCTION	M.LEE	05/31/2012



NOTE: LTC4359HDCB TOP MARK LFKF

OUTPUT CURRENT CAPABILITY	
VIN	MAXIMUM CONTINUOUS LOAD
4.5V TO 8V	10A
≥ 8V	20A

INPUT VOLTAGE LIMITS	
OPERATING	4.5V TO 28V
DC SURVIVAL	-40V TO 90V
1ms TRANSIENT	-60V TO 250V
VIN - VOUT	-60V

- MH1 MH2 MH3 MH4 MH5 MH6
- ○ ○ ○ ○ ○
- SNAP-IN STANDOFFS ON PC BOARD

CUSTOMER NOTICE

LINEAR TECHNOLOGY HAS MADE A BEST EFFORT TO DESIGN A CIRCUIT THAT MEETS CUSTOMER-SUPPLIED SPECIFICATIONS; HOWEVER, IT REMAINS THE CUSTOMER'S RESPONSIBILITY TO VERIFY PROPER AND RELIABLE OPERATION IN THE ACTUAL APPLICATION. COMPONENT SUBSTITUTION AND PRINTED CIRCUIT BOARD LAYOUT MAY SIGNIFICANTLY AFFECT CIRCUIT PERFORMANCE OR RELIABILITY. CONTACT LINEAR TECHNOLOGY APPLICATIONS ENGINEERING FOR ASSISTANCE.

APPROVALS

PCB DES.	M.HAWKINS
APP ENG.	M.LEE

SCALE = NONE

1630 McCarthy Blvd.
Milpitas, CA 95035
Phone: (408)432-1900 www.linear.com
Fax: (408)434-0507
LTC Confidential-For Customer Use Only

TITLE: SCHEMATIC 12V/20A IDEAL DIODE WITH REVERSE INPUT PROTECTION

IC NO. LTC4359HDCB

SIZE	N/A	DATE:	05/31/2012
REV.	4	SHEET	1 OF 1