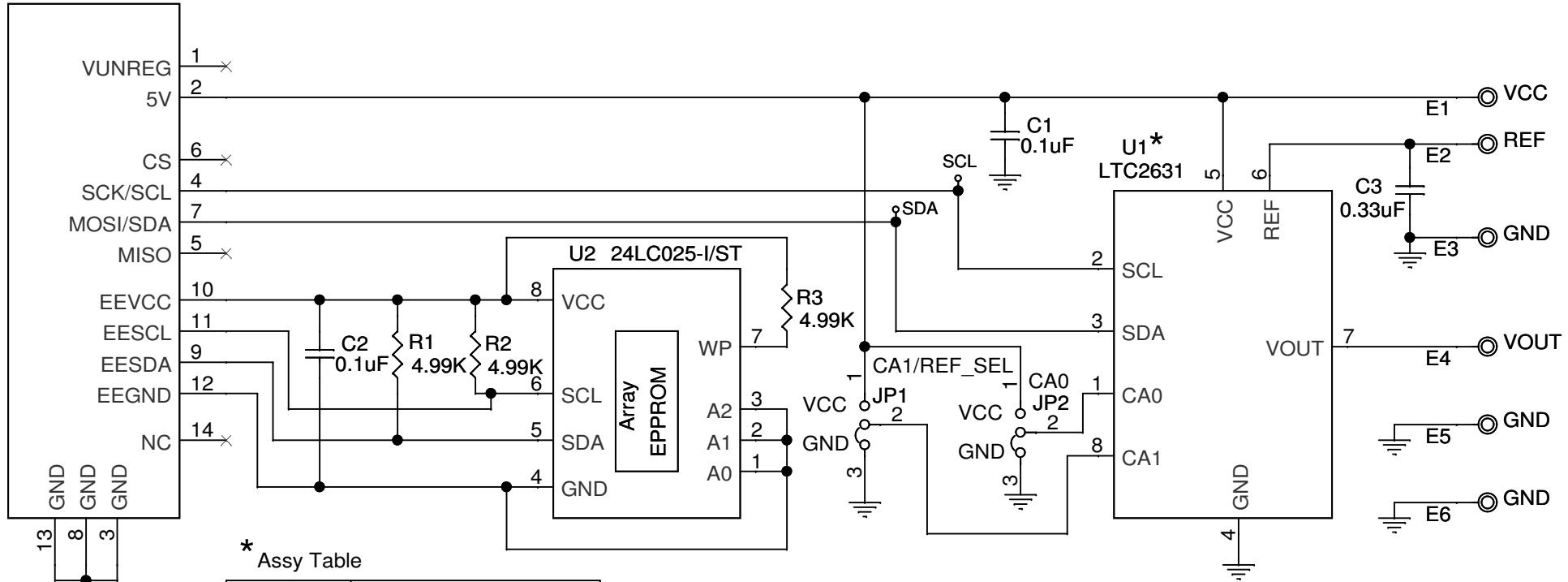


J1
HDR2X7-079-MOLEX



* Assy Table

U1	LTC PART#
-A	LTC2631ACTS8 - LM12
-B	LTC2631ACTS8 - LZ12
-C	LTC2631ACTS8 - HM12
-D	LTC2631ACTS8 - HZ12

CUSTOMER NOTICE

LINEAR TECHNOLOGY HAS MADE A BEST EFFORT TO DESIGN A CIRCUIT THAT MEETS CUSTOMER-SUPPLIED SPECIFICATIONS; HOWEVER, IT REMAINS THE CUSTOMER'S RESPONSIBILITY TO VERIFY PROPER AND RELIABLE OPERATION IN THE ACTUAL APPLICATION. COMPONENT SUBSTITUTION AND PRINTED CIRCUIT BOARD LAYOUT MAY SIGNIFICANTLY AFFECT CIRCUIT PERFORMANCE OR RELIABILITY. CONTACT LINEAR TECHNOLOGY APPLICATIONS ENGINEERING FOR ASSISTANCE.

THIS CIRCUIT IS PROPRIETARY TO LINEAR TECHNOLOGY AND SUPPLIED FOR USE WITH LINEAR TECHNOLOGY PARTS.

CONTRACT NO.

APPROVALS	DATE
DRAWN HELEN	9-3-13
CHECKED	
APPROVED	
ENGINEER Leo Chen	9-3-13
DESIGNER	



1630 McCarthy Blvd.
Milpitas, CA 95035
Phone: (408)432-1900
Fax: (408)434-0507

TITLE
LTC2631ACTS8-LM12/LZ12/HM12/HZ12
Single 12/10/8-Bit I2C Vout DAC

SIZE	CAGE CODE	DWG NO	REV
		DC1332B-A/B/C/D	1

Thursday, October 10, 2013

SCALE: FILENAME: SHEET 1 OF 1