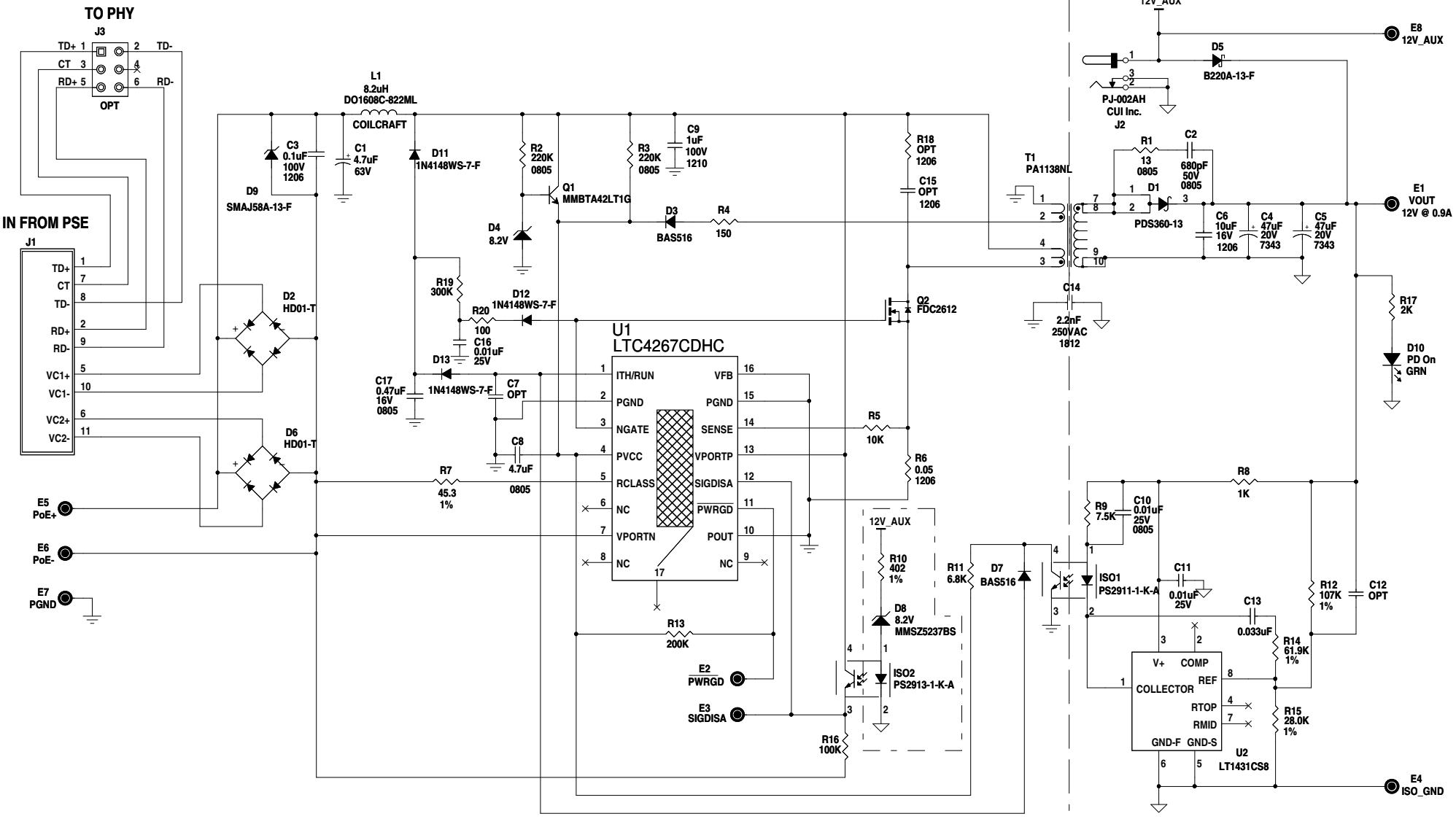


REVISION HISTORY				
ECO	REV	DESCRIPTION	APPROVED	DATE
1	1	REBUILD WITH CHANGES	KAUNG H.	05-04-11



NOTE: UNLESS OTHERWISE SPECIFIED.
 1. ALL RESISTORS 0603.
 ALL CAPACITORS 0603.

CUSTOMER NOTICE LINEAR TECHNOLOGY HAS MADE A BEST EFFORT TO DESIGN A CIRCUIT THAT MEETS CUSTOMER-SUPPLIED SPECIFICATIONS; HOWEVER, IT REMAINS THE CUSTOMER'S RESPONSIBILITY TO VERIFY PROPER AND RELIABLE OPERATION IN THE ACTUAL APPLICATION. COMPONENT SUBSTITUTION AND PRINTED CIRCUIT BOARD LAYOUT MAY SIGNIFICANTLY AFFECT CIRCUIT PERFORMANCE OR RELIABILITY. CONTACT LINEAR TECHNOLOGY APPLICATIONS ENGINEERING FOR ASSISTANCE.		APPROVALS POB DES: R'B APP ENG: KAUNG H.			1630 McCarthy Blvd. Milpitas, CA 95035 www.linear.com Phone: (408)432-1900 Fax: (408)434-0507 LTC Confidential - For Customer Use Only	
		TITLE: SCHEMATIC PoE POWERED DEVICE W/12V ISOLATED AUXILIARY			SIZE: N/A IC NO.: LTC4267CDHC	REV. 1
C:\PADS PROJECTS\1145B\SCH\1145B_00_REV2.DSN THIS CIRCUIT IS PROPRIETARY TO LINEAR TECHNOLOGY AND SUPPLIED FOR USE WITH LINEAR TECHNOLOGY PARTS.		SCALE = NONE		DATE: Friday, June 17, 2011		SHEET 1 OF 1