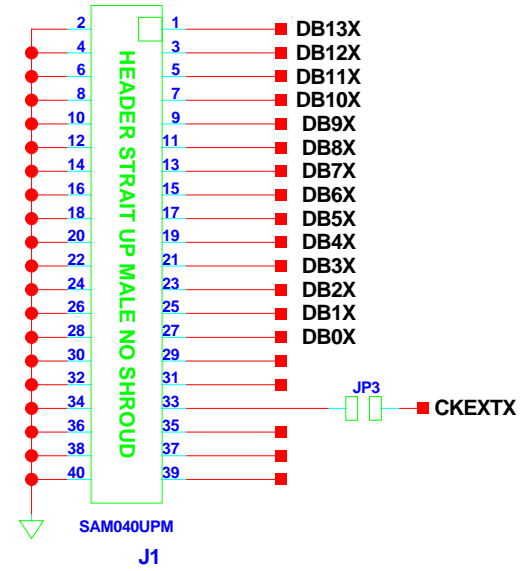
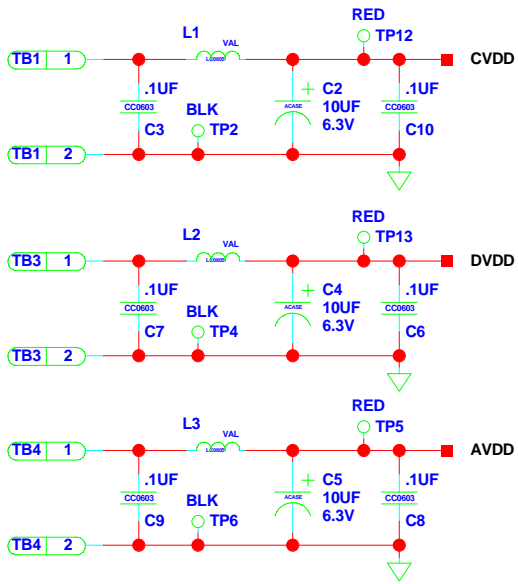


REVISIONS			
REV	DESCRIPTION	DATE	APPROVED
A	FOR ENGINEERING USE	-	-



	WILMINGTON MANUFACTURING 804 WOBURN STREET WILMINGTON, MA 01887	SIZE B	FSCM NO	DRAWING NUMBER AD9744LFCSPCUST FILEDATE=0301.07	REV B
	DRAWN BY: Rodney Kranz	APPROVED BY: Rodney Kranz	SCALE NONE	DO NOT SCALE	SHEET 1 OF 4

