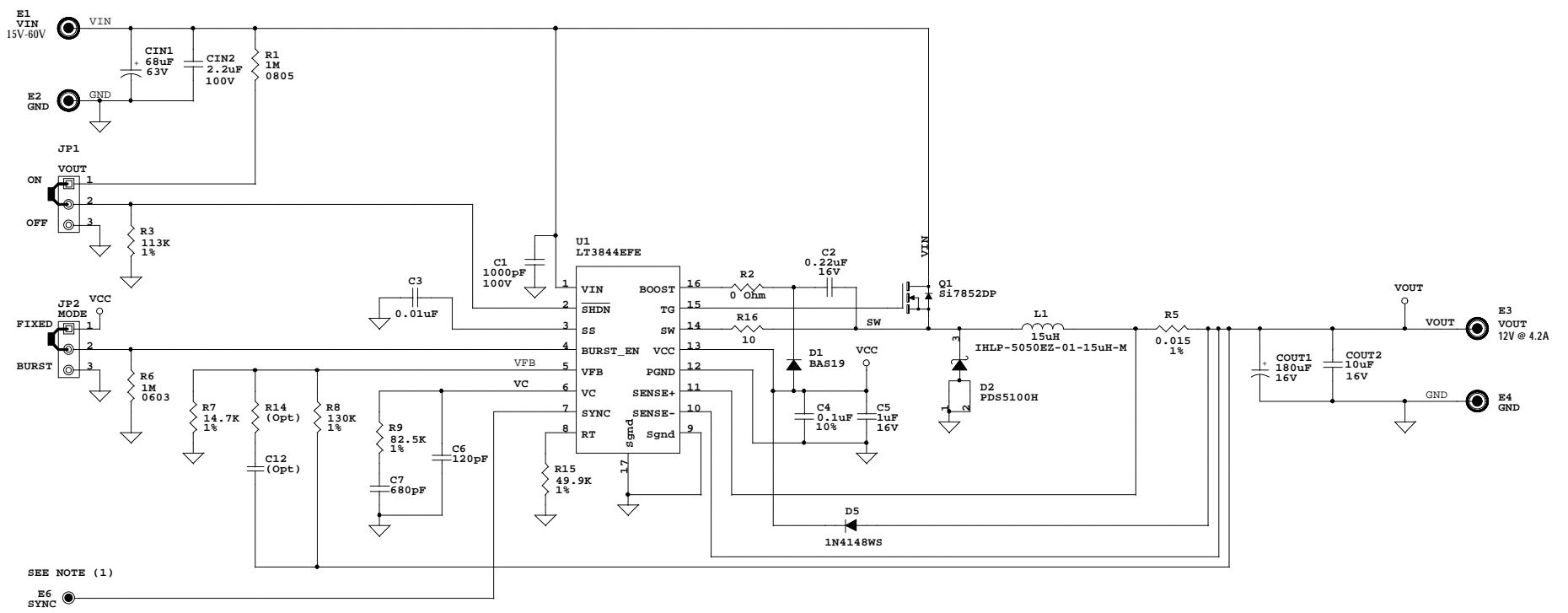


This circuit is proprietary to Linear Technology and supplied for use with Linear Technology parts.

**Customer Notice:** Linear Technology has made a best effort to design a circuit that meets customer-supplied specifications; however, it remains the customers responsibility to verify proper and reliable operation in the actual application. Component substitution and printed circuit board layout may significantly affect circuit performance or reliability. Contact Linear Applications Engineering for assistance.

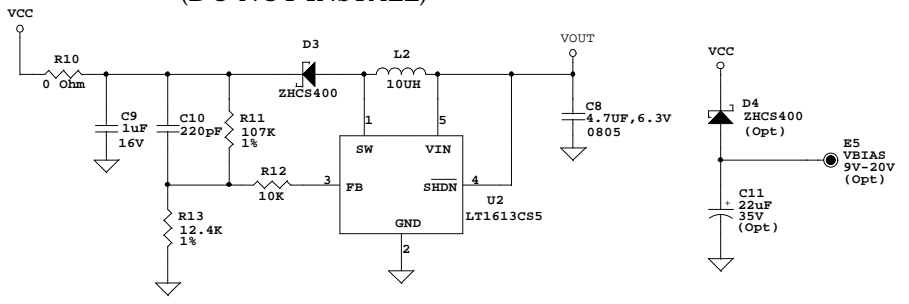
REVISION HISTORY				
ECO	REV	DESCRIPTION	DATE	APPROVED
-	0	PROTOTYPE (974A_09.PCB#97A_REV0.DSN)	09/08/05	-



SEE NOTE (1)  
E6 SYNC

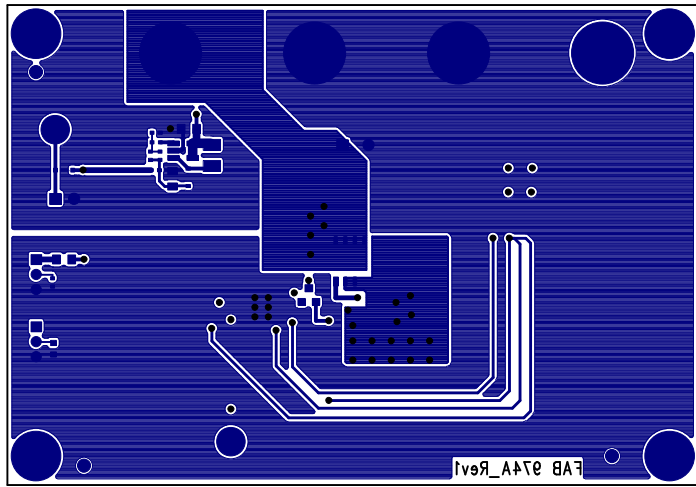
NOTES: 1. If the SYNC function is not being used tie the Sync pin to ground.

**OPTIONAL BOOST BIAS CIRCUIT (DO NOT INSTALL)**

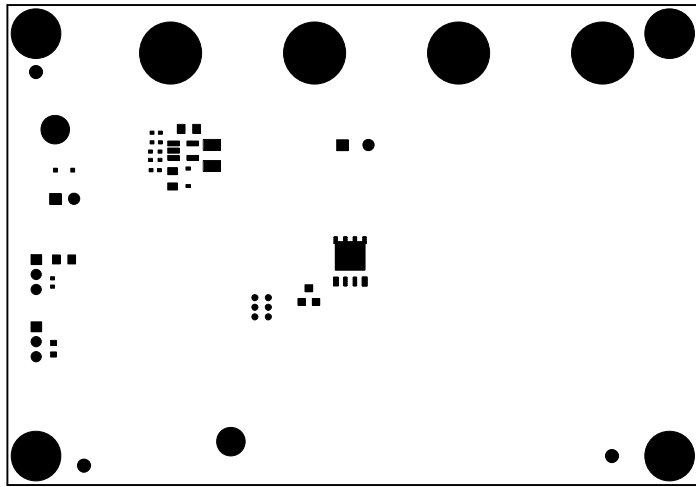


LTC CONFIDENTIAL - For Customer Use Only

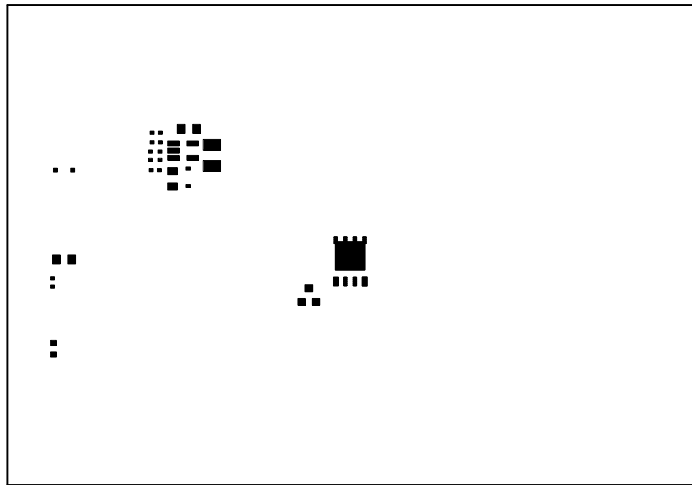
UNLESS OTHERWISE SPECIFIED DIMENSIONS ARE IN INCHES TOLERANCE ON ANGLE --- 2 PLACES --- 3 PLACES --- INTERPRET DIM AND TOL PER ASME Y14.5M-1994	CONTRACT NO.		1630 MtCanny Blvd. Milpitas, CA 95035 Phone: (408) 432-1900 Fax: (408) 434-0507
	APPROVALS	DATE	
	CHECKED	-	
	APPROVED	-	
THIRD ANGLE PROJECTION	TITLE		<b>SCH, HIGH VOLTAGE STEP-DOWN CONTROLLER</b>  <b>DEMO CIRCUIT 974A</b>
	ENGINEER	DATE	
DESIGNER	SIZE	CAGE CODE	
Tuesday, February 21, 2006	DWG NO <b>1</b>	REV <b>1</b>	
DO NOT SCALE DRAWING	FILENAME: 974A_Rev1.DSN/PCB	SCALE: NONE	SHEET 1 OF 1



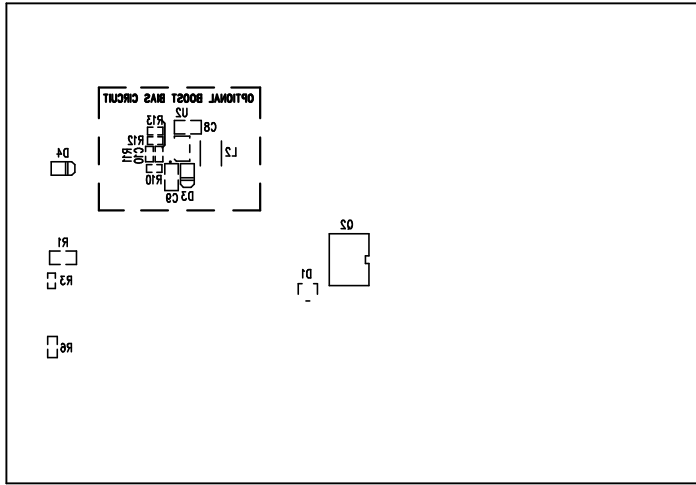
L4-SOLDER SIDE 7



SOLDER MASK BTM 8

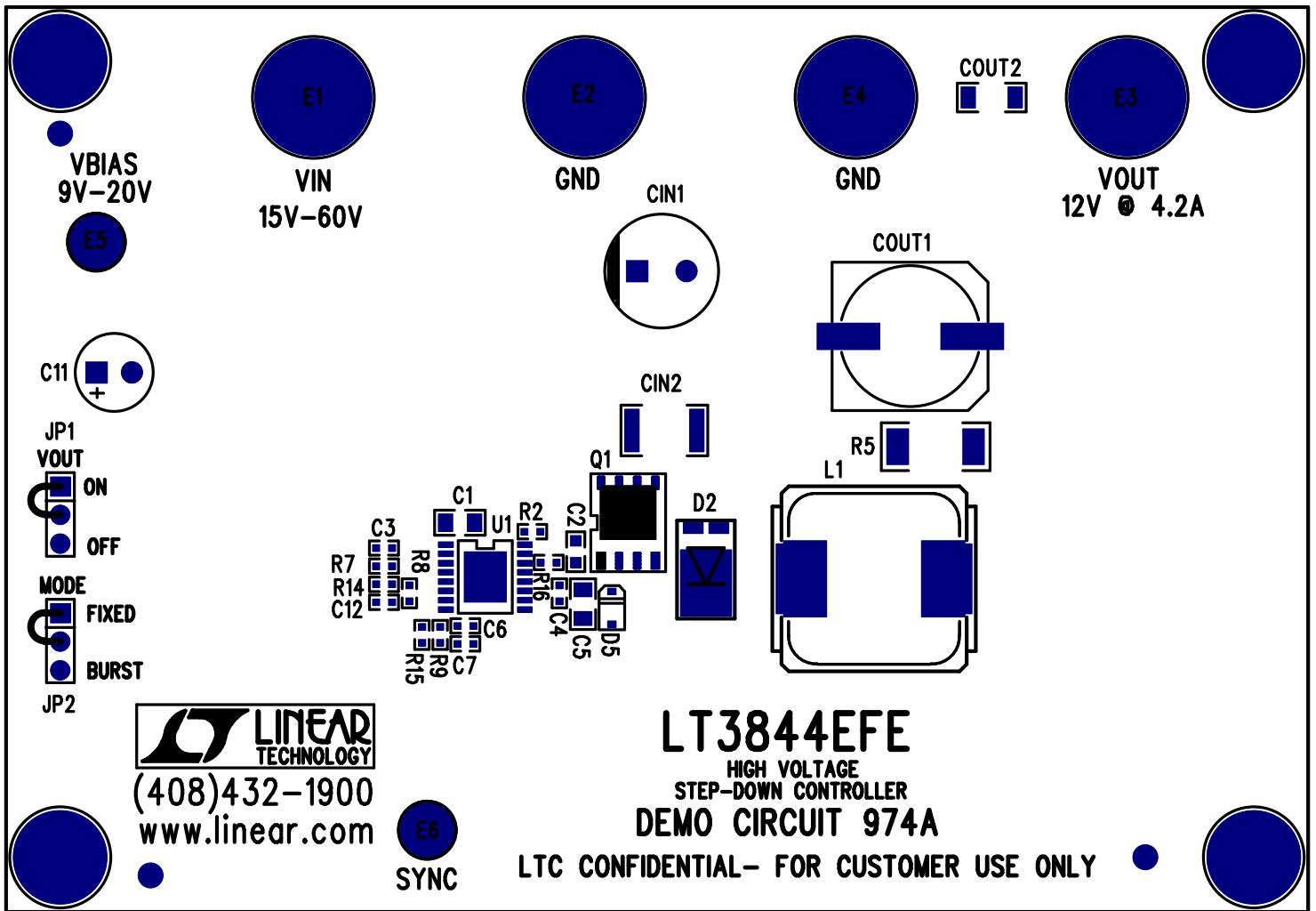


PASTEMASK BTM 9



SILKSCREEN BTM 10

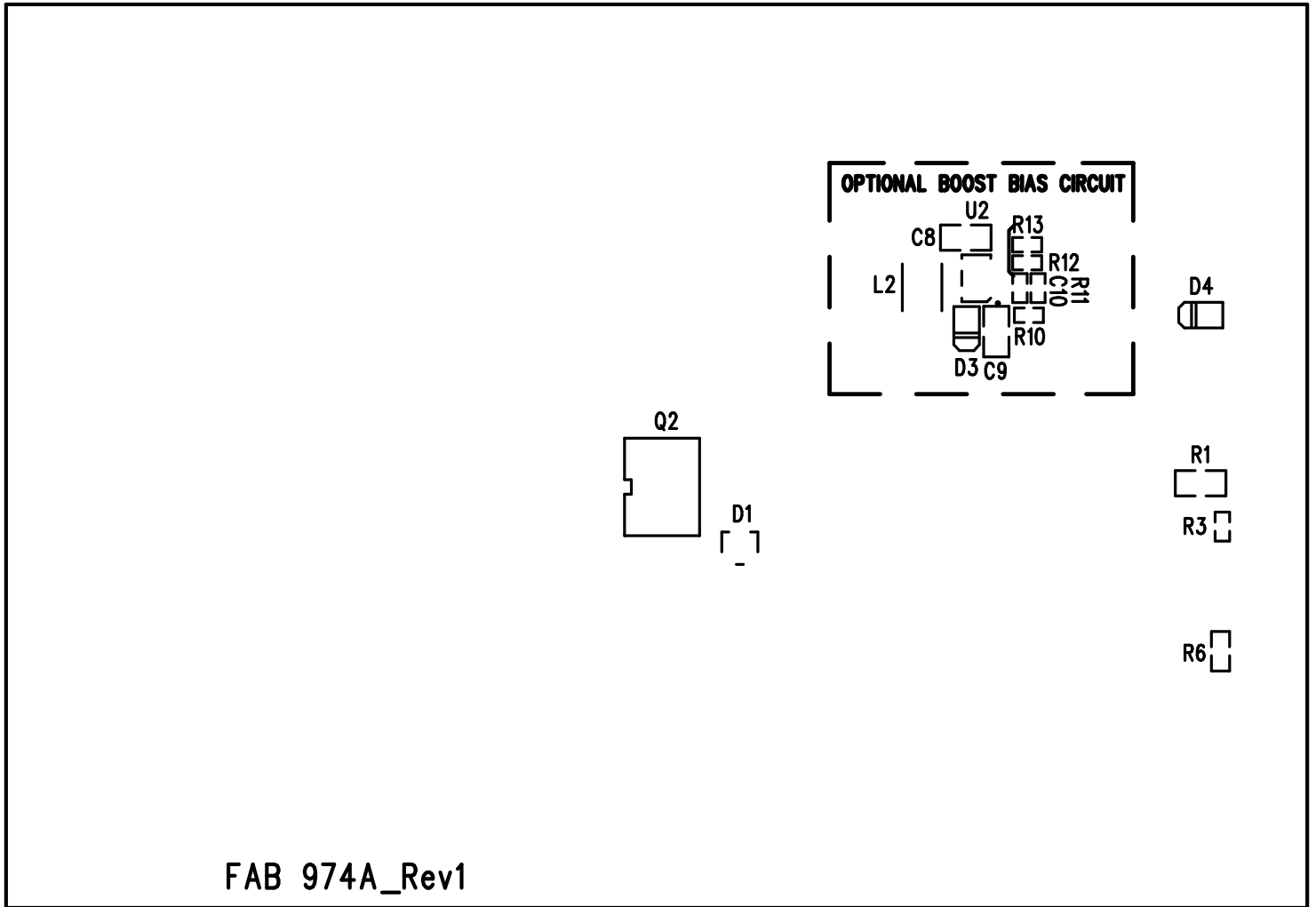
# Assembly Drawing Top



SILKSCREEN TOP

1

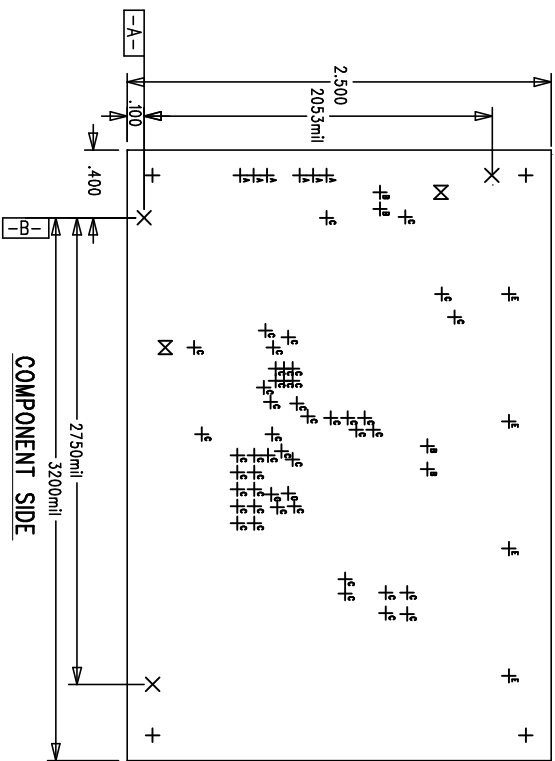
# Assembly Drawing Bottom



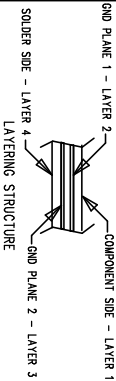
TO EN-KOBIER SIDE

LTC CONFIDENTIAL – For Customer Use Only

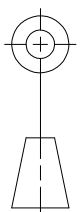
DWG NO		DC974A		SH 1		REV 1	
REVISION HISTORY				DATE		APPROVED	
ECO	REV	DESCRIPTION	DATE				
	0	PROTOTYPE (974A_09.PCB/974A_Rev0.DSN)	09/08/05				



SIZE	QTY	SYM	PLTD	TOL
70	3	X	NO	+/-3MIL
94	2	X	YES	+/-3MIL
31	6	+	YES	+/-3MIL
187	4	+	YES	+/-3MIL
15	48	+	YES	+/-3MIL
37.4	4	+	YES	+/-3MIL
205	4	+	YES	+/-3MIL



UNLESS OTHERWISE SPECIFIED DIMENSIONS ARE IN INCHES TOLERANCES ON ANGLE ± P 2 PLACE ±.01 3 PLACE ±.005 INTERPRET DIM AND TOL PER ASME Y14.5M - 1994

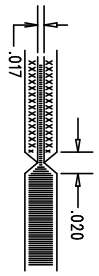


DO NOT SCALE DRAWING

CONTRACT NO		DATE	
APPROVALS		11.30.05	
DRAWN R. BAUTISTA		11.30.05	
CHECKED			
APPROVED			
ENGINEER DAVID CANNY		11.30.05	

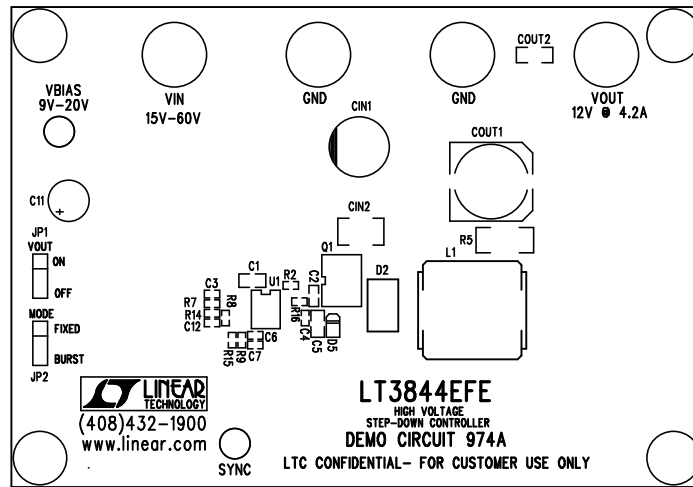
TITLE				FAB, HIGH VOLTAGE STEP-DOWN CONTROLLER			
SIZE		CAGE CODE		DWG NO		REV	
A				DEMO CIRCUIT 974A		1	
SCALE 1/1		FILENAME: 974A_09.PCB/974A_Rev0.DSN		SHEET		1 OF 1	

**LINEAR TECHNOLOGY**  
 1630 McCarthy Blvd.  
 Milpitas, CA 95035  
 Phone: (408)432-1900  
 Fax: (408)434-0507



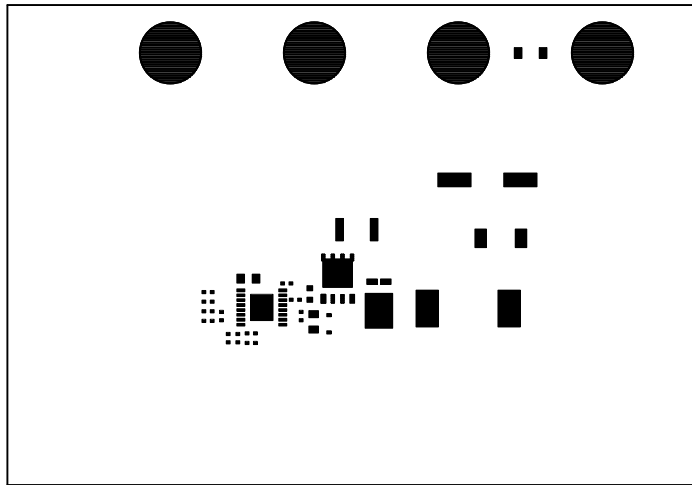
- NOTES: UNLESS OTHERWISE SPECIFIED
- ARTWORK P/N DC974A REV 1.
  - FAB PER IPC-A-600
  - MATERIAL: EPOXY FIBERGLASS, NEMA GRADE FR-4 FINISHED THICKNESS TO BE .062 +/- .005 INCH WITH 1.5 OZ/ SQ FT COPPER ON TWO OUTER LAYERS AND 1 OZ. COPPER ON TWO INTERNAL LAYERS. FLAMABILITY RATING: 94 V-0 MINIMUM .
  - SIZE: CUT TO DIMENSIONS AND TOLERANCES SHOWN. [-A-] AND [-B-] ARE PRIMARY DATUMS.
  - DRILLING: DRILL HOLES PER SCHEDULE. PLATE THROUGH HOLES WITH COPPER, .001 INCH THICK MIN. ALL HOLE SIZES ARE SPECIFIED AFTER PLATING. HOLE LOCATION TOLERANCES ARE +/- .003 INCH IN RELATION TO CENTER
  - FINISH: SMOBC USING 1PI BOTH SIDES, GREEN, WHITE TIN IMMERSION (OMIKRON) BOTH SIDES, SILKSCREEN BOTH SIDES WITH WHITE NON-CONDUCTIVE INK.
  - DROP ALL UNUSED PADS ON INNER LAYERS.
  - DO NOT ALTER ARTWORK e.g. TO ADD LOGO OR DATE CODE.
  - SCORING FOR PANELIZED PCB ONLY.



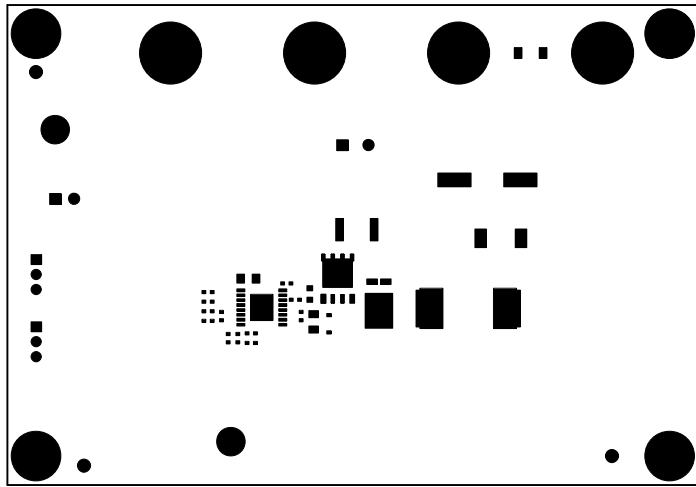


SILKSCREEN TOP

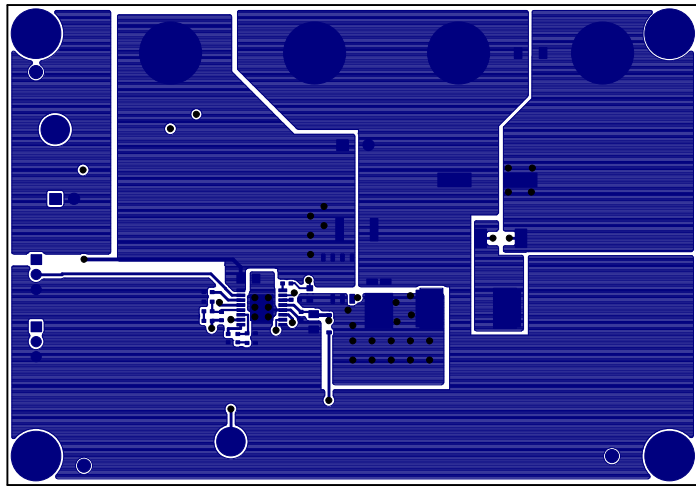
1



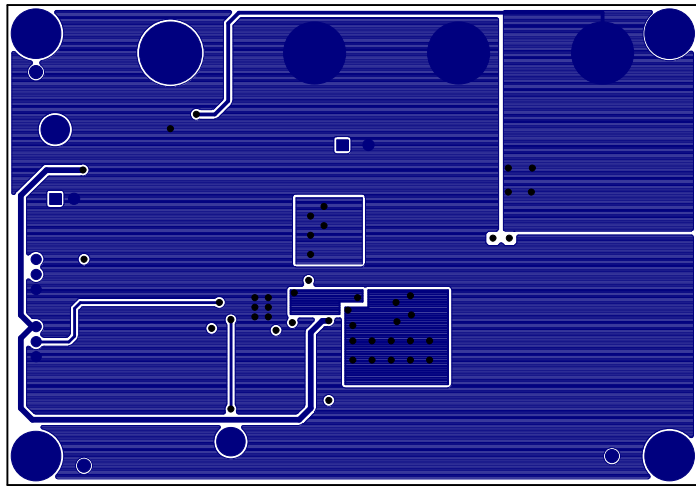
PASTE MASK TOP 2



SOLDER MASK TOP 3

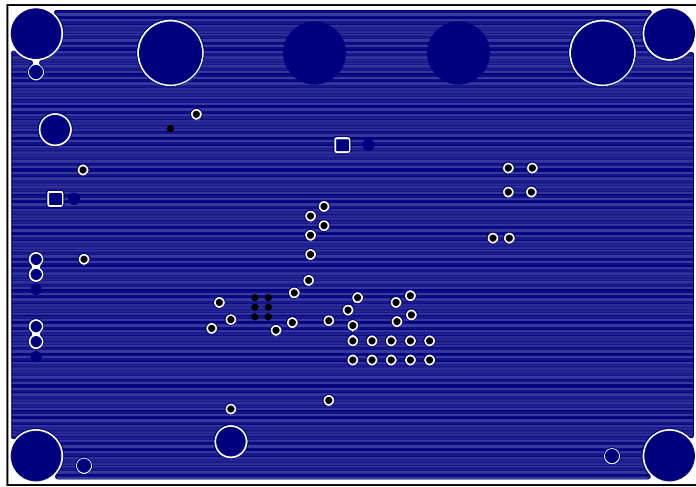


L1-COMPONENT SIDE 4



L2-GND PLANE1

5



L3-GND PLANE2 6