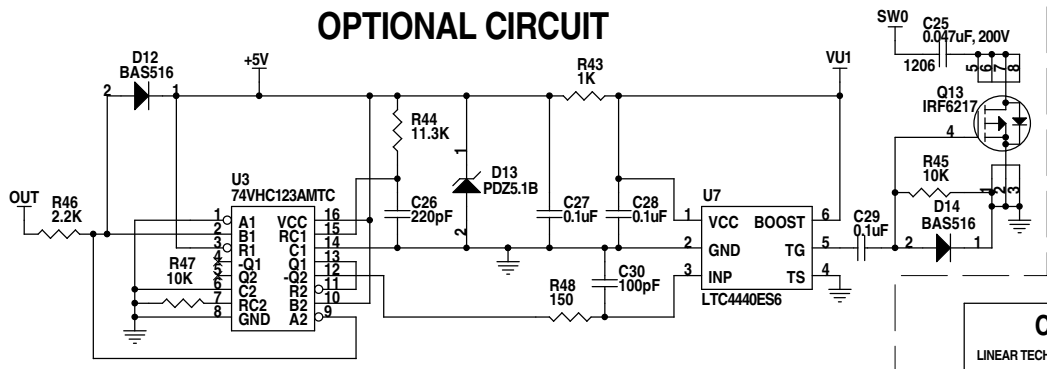


OPTIONAL CIRCUIT



*** FOR ASSEMBLY**

VERSIONS	VIN	VOUT
-A	34V-75V	3.3V@30A
-B	18V-36V	5V@20A
-C	36V-72V	12V@12A
-D	36V-72V	28V@4A

NOTES: UNLESS OTHERWISE SPECIFIED

1. ALL RESISTORS ARE IN OHMS, 0603.
ALL CAPACITORS ARE IN MICROFARADS, 0603.

<p>CUSTOMER NOTICE</p> <p>LINEAR TECHNOLOGY HAS MADE A BEST EFFORT TO DESIGN A CIRCUIT THAT MEETS CUSTOMER-SUPPLIED SPECIFICATIONS; HOWEVER, IT REMAINS THE CUSTOMER'S RESPONSIBILITY TO VERIFY PROPER AND RELIABLE OPERATION IN THE ACTUAL APPLICATION. COMPONENT SUBSTITUTION AND PRINTED CIRCUIT BOARD LAYOUT MAY SIGNIFICANTLY AFFECT CIRCUIT PERFORMANCE OR RELIABILITY. CONTACT LINEAR TECHNOLOGY APPLICATIONS ENGINEERING FOR ASSISTANCE.</p> <p>THIS CIRCUIT IS PROPRIETARY TO LINEAR TECHNOLOGY AND SUPPLIED FOR USE WITH LINEAR TECHNOLOGY PARTS.</p>		<p>CONTRACT NO.</p> <p>APPROVALS</p> <p>DRAWN: KIM T.</p> <p>CHECKED:</p> <p>APPROVED:</p> <p>ENGINEER: Goran P.</p> <p>DESIGNER:</p>	<p>1630 McCarthy Blvd. Milpitas, CA 95035 Phone: (408)432-1900 Fax: (408)434-0507 LTC Confidential-For Customer Use Only</p>
		<p>TITLE:</p> <p>ISOLATED DC/DC POWER CONVERTER</p> <p>SIZE: A</p> <p>DWG NO. DC968A2-D</p> <p>DATE: Tuesday, February 20, 2007</p>	