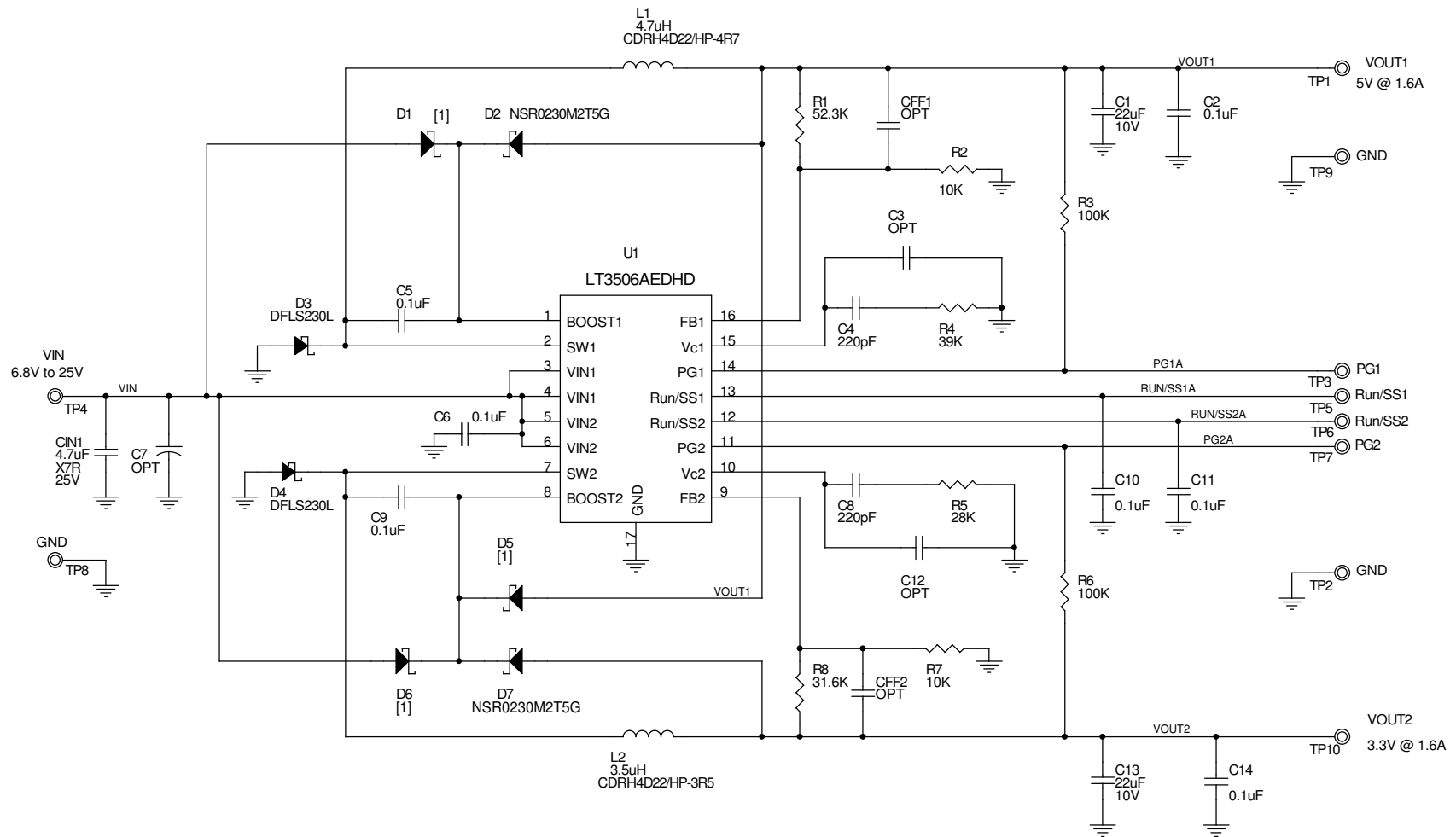

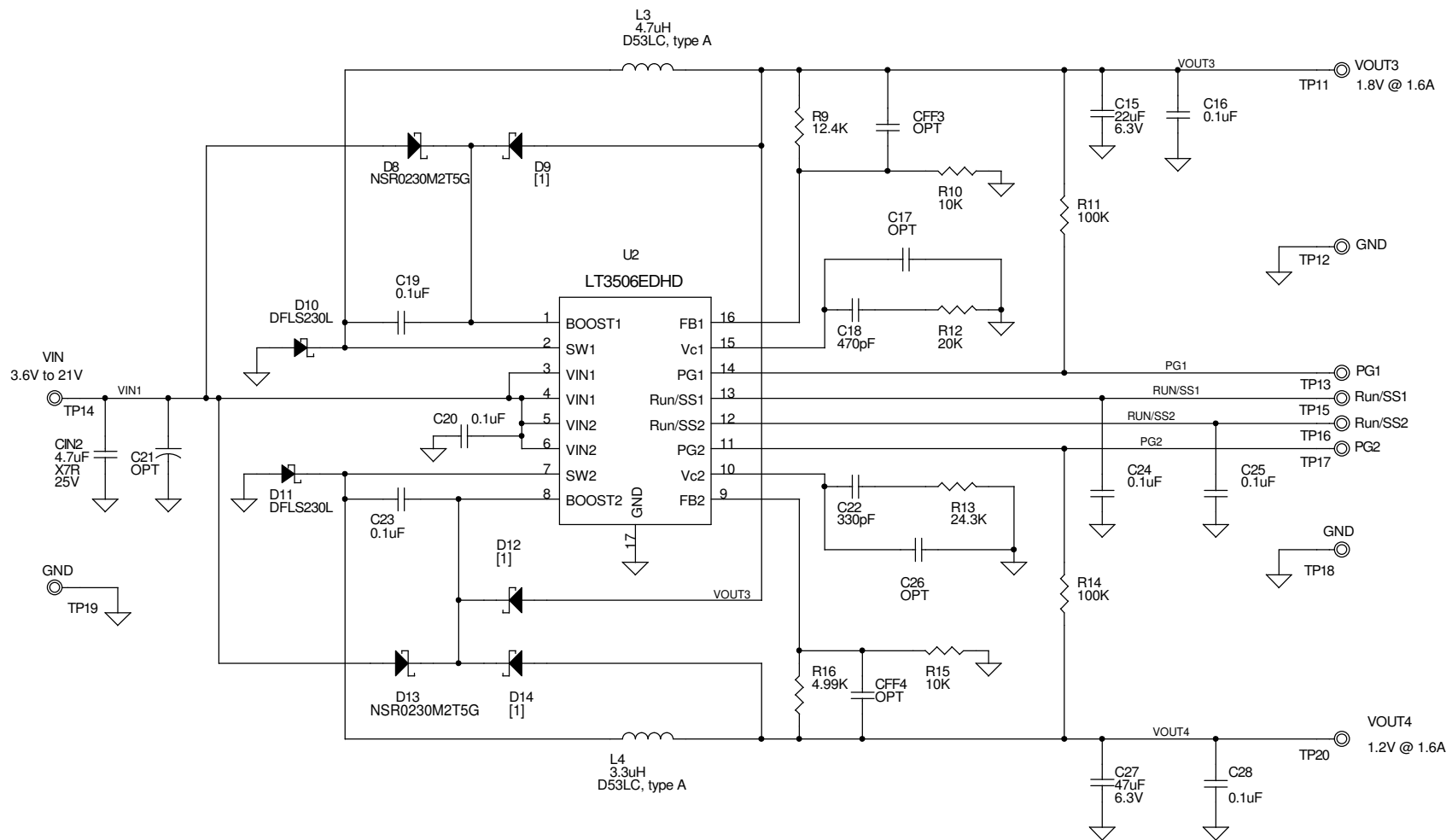


REVISION HISTORY				
ECO	REV	DESCRIPTION	DATE	APPROVED
>	A	PROTOTYPE	08/24/05	



NOTES: UNLESS OTHERWISE SPECIFIED,
[1] DO NOT STUFF.

CUSTOMER NOTICE		CONTRACT NO.		 <small>1630 McCarthy Blvd. Milpitas, CA 95035 Phone: (408)432-1900 Fax: (408)434-0507</small>	
LINEAR TECHNOLOGY HAS MADE A BEST EFFORT TO DESIGN A CIRCUIT THAT MEETS CUSTOMER-SUPPLIED SPECIFICATIONS; HOWEVER, IT REMAINS THE CUSTOMER'S RESPONSIBILITY TO VERIFY PROPER AND RELIABLE OPERATION IN THE ACTUAL APPLICATION. COMPONENT SUBSTITUTION AND PRINTED CIRCUIT BOARD LAYOUT MAY SIGNIFICANTLY AFFECT CIRCUIT PERFORMANCE OR RELIABILITY. CONTACT LINEAR TECHNOLOGY APPLICATIONS ENGINEERING FOR ASSISTANCE.		APPROVALS DRAWN AntoninaKarpova 4/26/06 CHECKED APPROVED ENGINEER Walker Bai 4/26/06 DESIGNER	DATE 4/26/06 4/26/06	TITLE LT3506AEDHD 1.1MHz DUAL MONOLITHIC 1.6A STEP-DOWN REGULATOR	
THIS CIRCUIT IS PROPRIETARY TO LINEAR TECHNOLOGY AND SUPPLIED FOR USE WITH LINEAR TECHNOLOGY PARTS.		Monday, August 07, 2006	SCALE:	FILENAME: DC958A.DSN	DWGNO DC958A
		SHEET 1 OF 2	REV A		



CUSTOMER NOTICE

LINEAR TECHNOLOGY HAS MADE A BEST EFFORT TO DESIGN A CIRCUIT THAT MEETS CUSTOMER-SUPPLIED SPECIFICATIONS; HOWEVER, IT REMAINS THE CUSTOMER'S RESPONSIBILITY TO VERIFY PROPER AND RELIABLE OPERATION IN THE ACTUAL APPLICATION. COMPONENT SUBSTITUTION AND PRINTED CIRCUIT BOARD LAYOUT MAY SIGNIFICANTLY AFFECT CIRCUIT PERFORMANCE OR RELIABILITY. CONTACT LINEAR TECHNOLOGY APPLICATIONS ENGINEERING FOR ASSISTANCE.

THIS CIRCUIT IS PROPRIETARY TO LINEAR TECHNOLOGY AND SUPPLIED FOR USE WITH LINEAR TECHNOLOGY PARTS.

CONTRACT NO.	
APPROVALS	DATE
DRAWN AntoninaKarpova	4/26/06
CHECKED	
APPROVED	
ENGINEER Walker Bai	4/26/06
DESIGNER	
Monday, August 07, 2006	



TITLE LT3506EDHD 575kHz DUAL MONOLITHIC 1.6A STEP- DOWN REGULATOR			
SIZE	CAGE CODE	DWGNO DC958A	REV A
SCALE:	FILENAME: DC958A.DSN	SHEET 2	OF 2