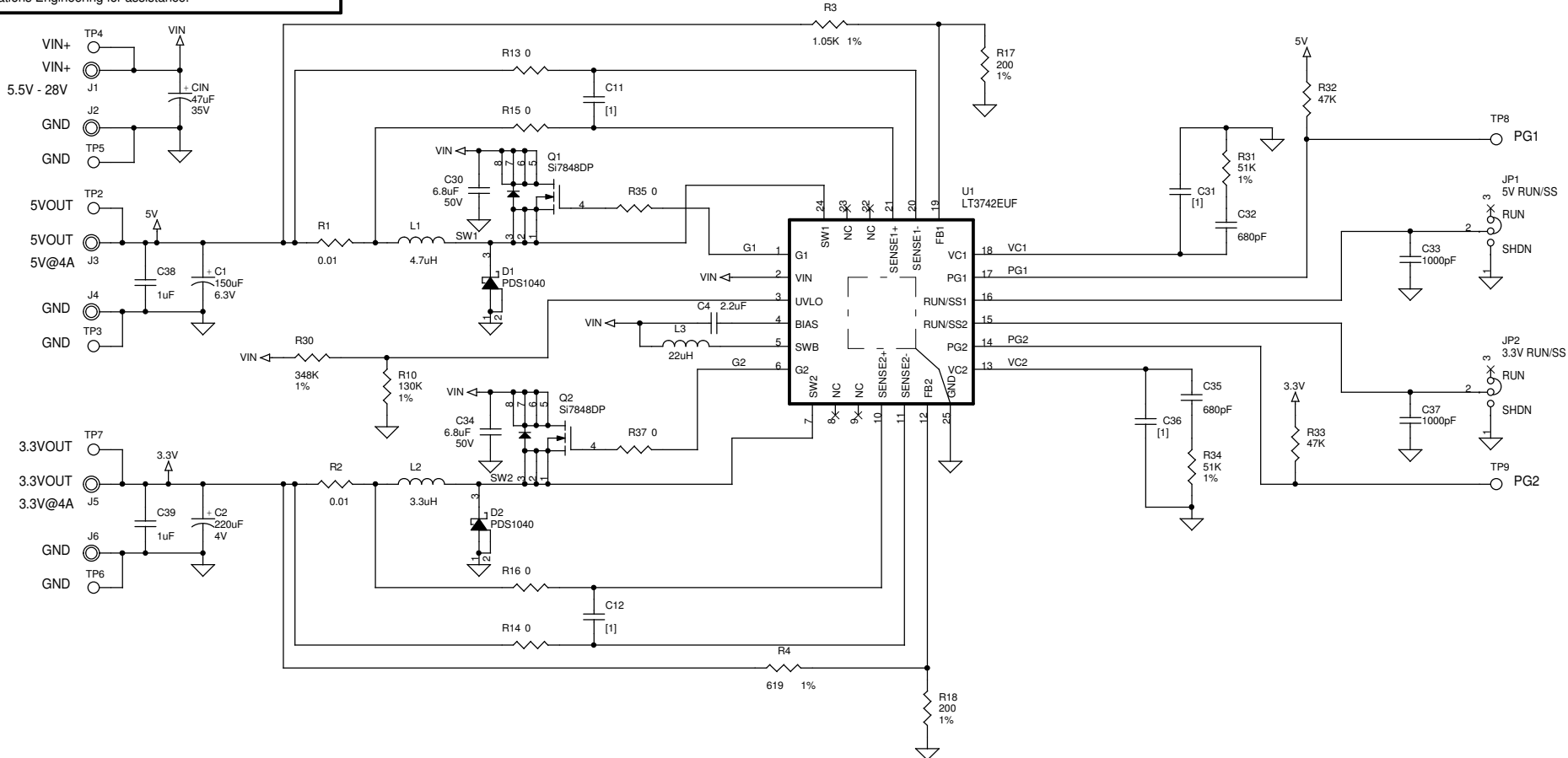


REVISION HISTORY				
ECO	REV	DESCRIPTION	DATE	APPROVED
	3	PROTO	06/08/06	

This circuit is proprietary to Linear Technology and supplied for use with Linear Technology parts.  
**Customer Notice:** Linear Technology has made a best effort to design a circuit that meets customer-supplied specifications; however, it remains the customer's responsibility to verify proper and reliable operation in the actual application. Component substitution and printed circuit board layout may significantly affect circuit performance or reliability. Contact Linear Applications Engineering for assistance.



NOTES: UNLESS OTHERWISE SPECIFIED,  
 [1] OPTIONAL.  
 2. ALL RESISTORS AND CAPS SHALL BE 0402.

UNLESS OTHERWISE SPECIFIED DIMENSIONS ARE IN INCHES TOLERANCE ON ANGLE - - - 2 PLACES - - - 3 PLACES - - - INTERPRET DIM AND TOL PER ASME Y14.5M -1994		CONTRACT NO.		 1630 McCarthy Blvd. Milpitas, CA 95035 Phone: (408)432-1300 Fax: (408)434-0507			
THIRD ANGLE PROJECTION		APPROVALS	DATE				
		CHECKED	05/12/05				
		APPROVED					
DO NOT SCALE DRAWING		DESIGNER		TITLE SCH, LT3742EUF, DUAL 2-PHASE STEP-DOWN SWITCHING CONTROLLER			
		Thursday, November 08, 2007		SIZE	CAGE CODE	DWG NO	REV
						DC927A	3
				SCALE: NONE	FILENAME: 927A-3.DSN	SHEET 1	OF 1