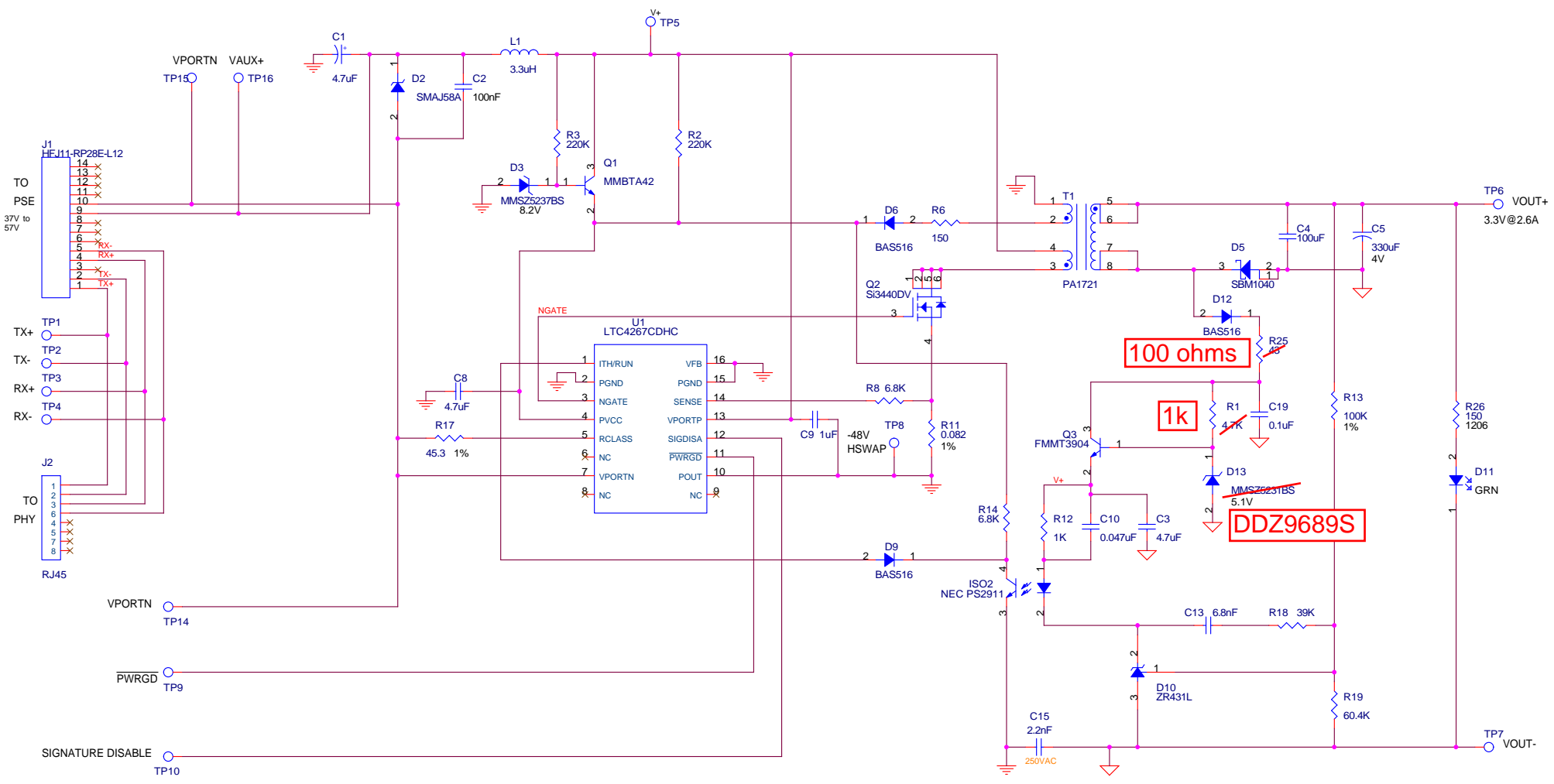


This circuit is proprietary to Linear Technology and supplied for use with Linear Technology parts.  
**Customer Notice:** Linear Technology has made a best effort to design a circuit that meets customer-supplied specifications; however, it remains the customer's responsibility to verify proper and reliable operation in the actual application. Component substitution and printed circuit board layout may significantly affect circuit performance or reliability. Contact Linear Applications Engineering for assistance.

REVISION HISTORY				
ECO	REV	DESCRIPTION	DATE	APPROVED
	3	PROTO	08/17/05	



100 ohms

1k

DDZ9689S

UNLESS OTHERWISE SPECIFIED DIMENSIONS ARE IN INCHES TOLERANCE ON ANGLE ... 2 PLACES ... 3 PLACES ... INTERPRET DIM AND TOL PER ASME Y14.5M-1994	CONTRACT NO.		1630 McCarthy Blvd. Milpitas, CA 95035 Phone: (408)432-1900 Fax: (408)434-0507		
	APPROVALS	DATE			
	DRAWN MEI	04/11/05			
	TITLE	SCH, LTC4267CDHC, PoE to 3.3V@2.6A Isolated			
THIRD ANGLE PROJECTION	CHECKED	ENGINEER	DESIGNER	SIZE CAGE CODE DWG NO Custom DC917A	REV 3
DO NOT SCALE DRAWING	Wednesday, June 03, 2009	SCALE: NONE	FILENAME: g17A-3.DSN	SHEET 1 OF 1	