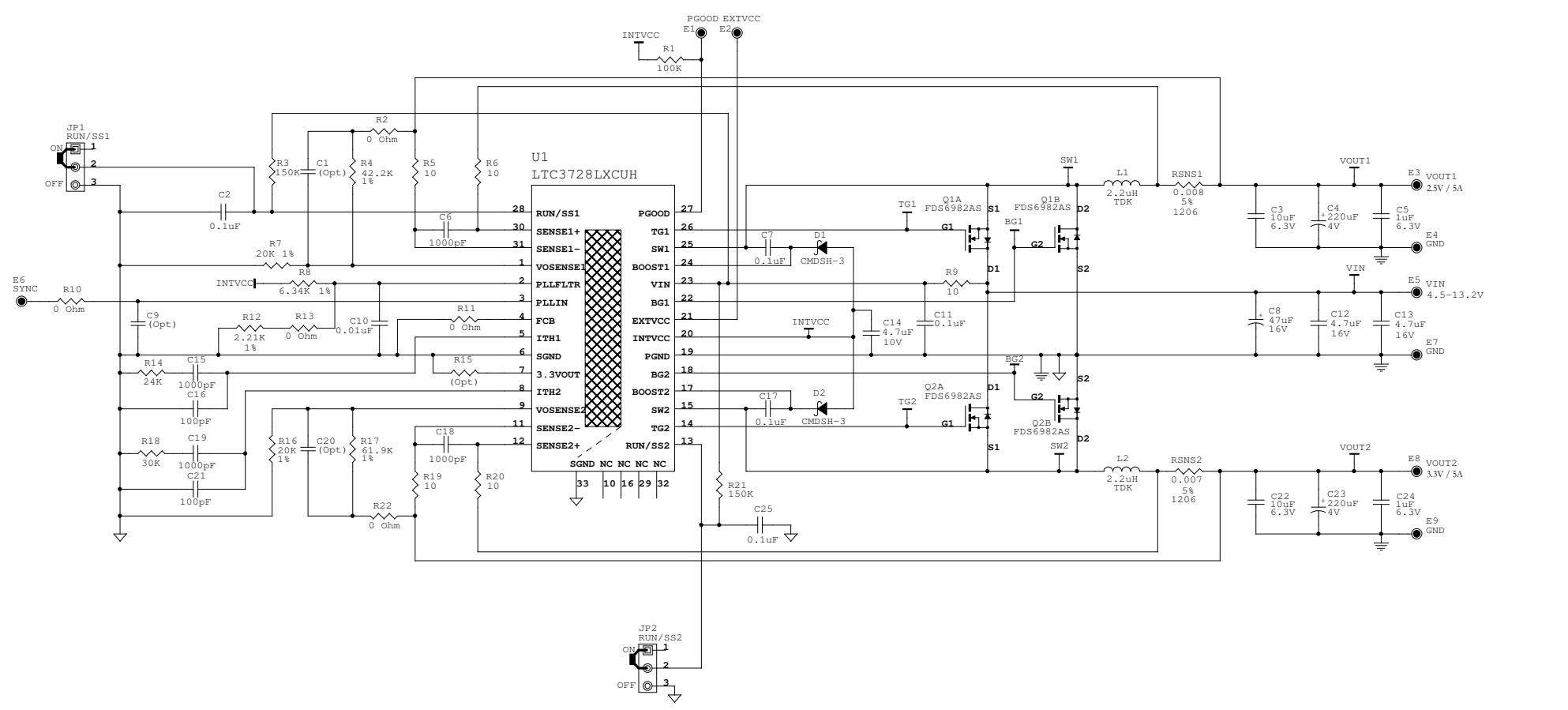
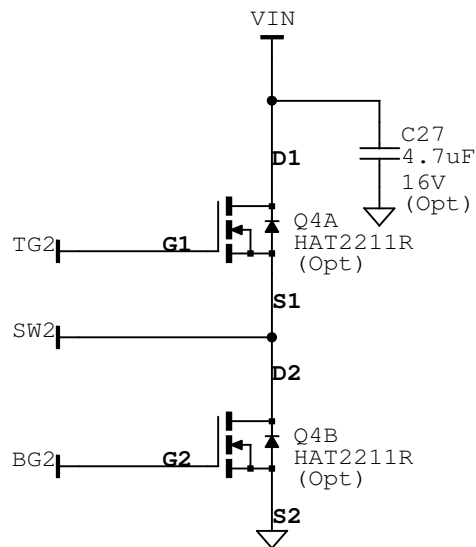
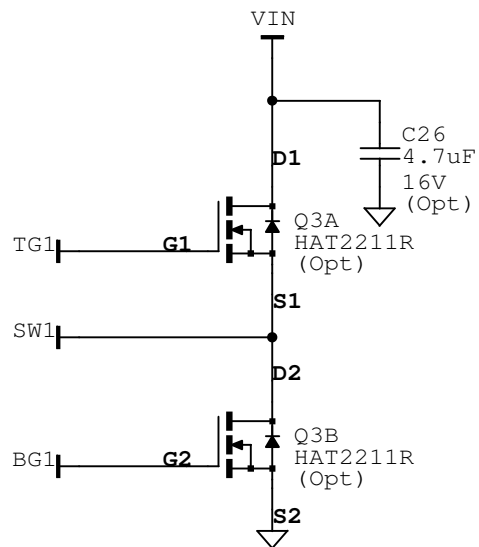


REVISION HISTORY				
ECO	REV	DESCRIPTION	DATE	APPROVED
	0	1st PROTOTYPE	<DATE>	<APPROVED>



This circuit is proprietary to Linear Technology and supplied for use with Linear Technology parts.
Customer Notice: Linear Technology has made a best effort to design a circuit that meets customer-supplied specifications; however, it remains the customers responsibility to verify proper and reliable operation in the actual application. Component substitution and printed circuit board layout may significantly affect circuit performance or reliability. Contact Linear Applications Engineering for assistance.

APPROVALS		LINEAR TECHNOLOGY CORPORATION	
DRAWN: Rudy Bautista		1630 McCARTHY BLVD MILPITAS, CA. 95035 (408) 432-1900	
ENGINEER: Henry Zhang		www.linear.com LTC Confidential - (408) 434-0507 (FAX) For Customer Use Only	
APPROVED:		Title: HIGH EFFICIENCY DUAL REGULATOR	
CHECKED:		Size: Document Number	
DCxxxxA_00_PCB xxxxA_x.DSN		Date: Thursday, January 26, 2006	
		Sheet 1 of 2	
		Rev 1	



This circuit is proprietary to Linear Technology and supplied for use with Linear Technology parts.

Customer Notice: Linear Technology has made a best effort to design a circuit that meets customer-supplied specifications; however, it remains the customers responsibility to verify proper and reliable operation in the actual application, Component substitution and printed circuit board layout may significantly affect circuit performance or reliability. Contact Linear Applications Engineering for assistance.

APPROVALS

DRAWN: Rudy Bautista

ENGINEER: Henry Zhang

APPROVED:

CHECKED:

DCxxxA_00.PCB xxxA_x.DSN

LINEAR TECHNOLOGY CORPORATION

1630 McCARTHY BLVD www.linear.com
 MILPITAS, CA. 95035 LTC Confidential -
 (408) 432-1900 For Customer Use Only
 (408) 434-0507 (FAX)

Title
HIGH EFFICIENCY DUAL REGULATOR

Size	Document Number	Rev
	DEMO CIRCUIT 899A	1

Date: Thursday, January 26, 2006 Sheet 2 of 2