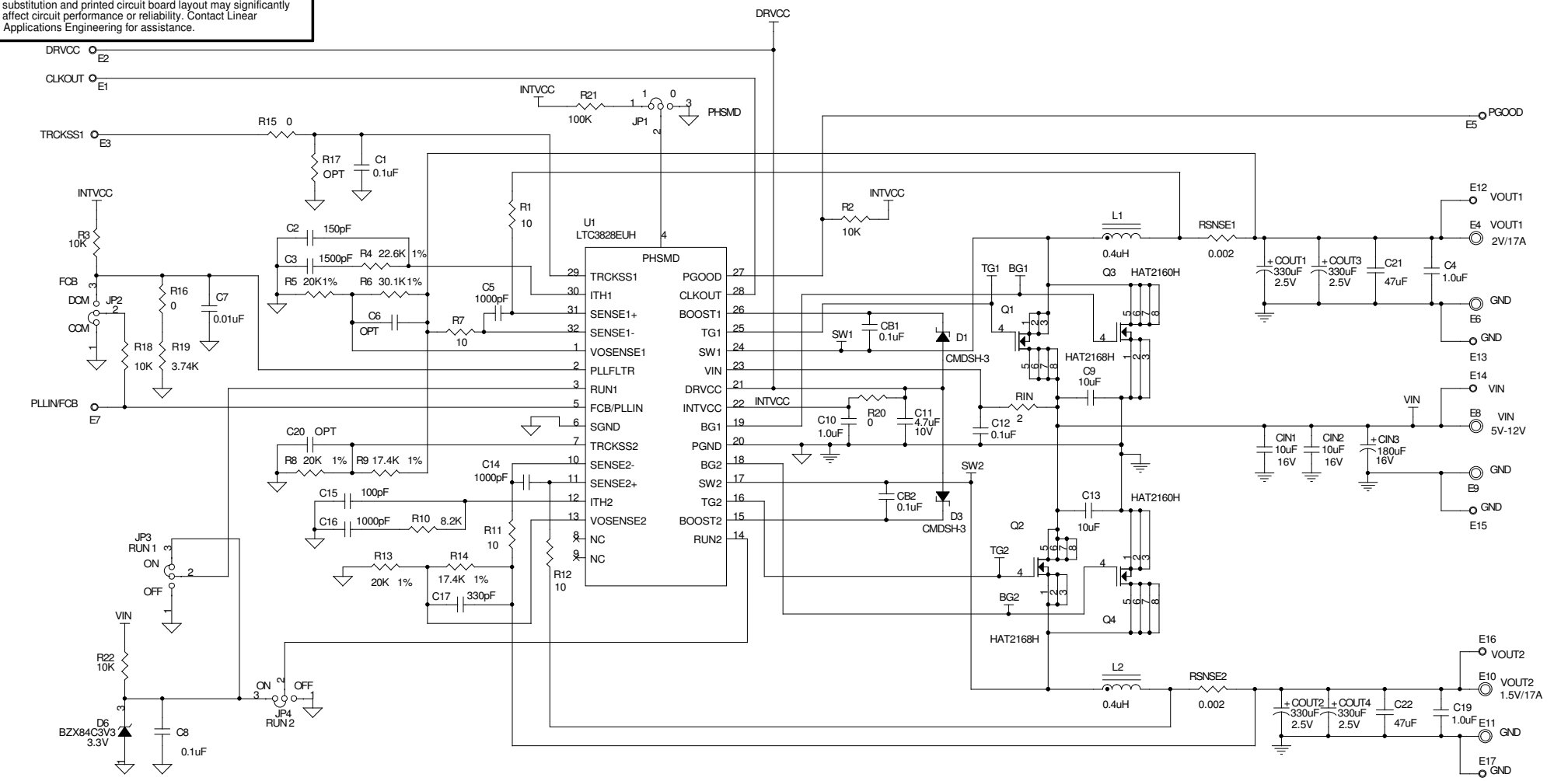



REVISION HISTORY				
ECO	REV	DESCRIPTION	DATE	APPROVED
	2	PROTO	05/20/05	

This circuit is proprietary to Linear Technology and supplied for use with Linear Technology parts.
Customer Notice: Linear Technology has made a best effort to design a circuit that meets customer-supplied specifications; however, it remains the customer's responsibility to verify proper and reliable operation in the actual application. Component substitution and printed circuit board layout may significantly affect circuit performance or reliability. Contact Linear Applications Engineering for assistance.

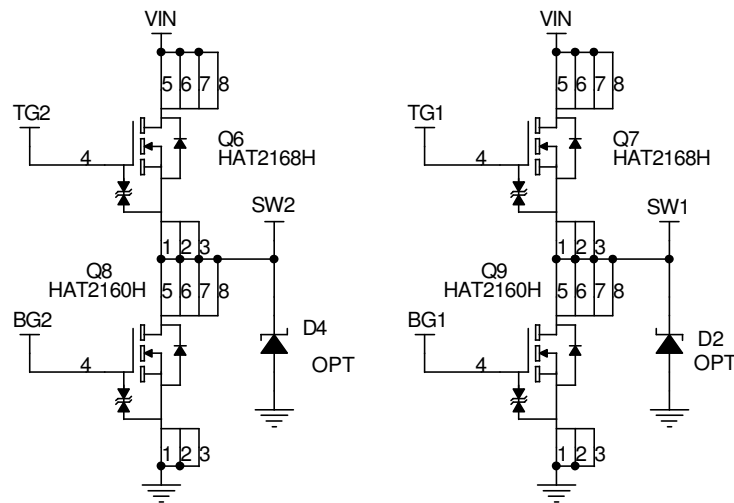
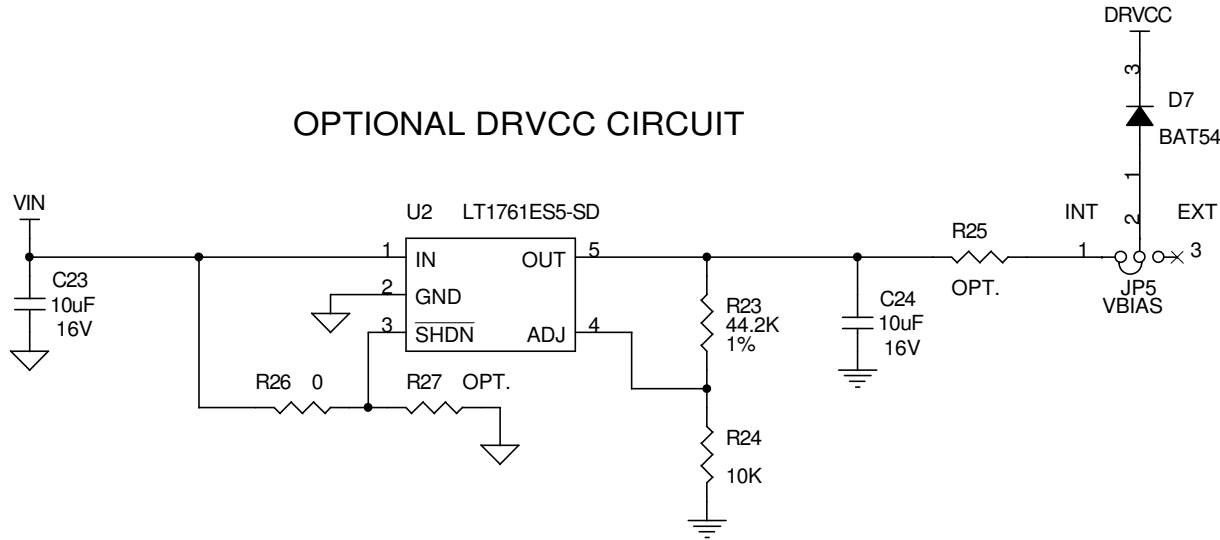


CONTRACT NO.		 1630 McCarthy Blvd. Milpitas, CA 95035 Phone: (408)432-1300 Fax: (408)434-0507
APPROVALS	DATE	
DRAWN MEI	01/31/05	TITLE SCH, LTC3828EUH, DUAL OUTPUT HIGH DENSITY 17A STEP-DOWN DC/DC WITH TRACKING
CHECKED		
APPROVED		
ENGINEER		
DESIGNER		SIZE B CAGE CODE DWG NO DC884A REV 2
Tuesday, October 11, 2005		SCALE: NONE FILENAME: 884A-2.DSN SHEET 1 OF 2


This circuit is proprietary to Linear Technology and supplied for use with Linear Technology parts.
Customer Notice: Linear Technology has made a best effort to design a circuit that meets customer-supplied specifications; however, it remains the customer's responsibility to verify proper and reliable operation in the actual application. Component substitution and printed circuit board layout may significantly affect circuit performance or reliability. Contact Linear Applications Engineering for assistance.

REVISION HISTORY				
ECO	REV	DESCRIPTION	DATE	APPROVED
	1	PROTO	05/20/05	

OPTIONAL DRVCC CIRCUIT



DO NOT STUFF ANY PART ON THIS PAGE.

CONTRACT NO.		 LINEAR TECHNOLOGY 1630 McCarthy Blvd. Milpitas, CA 95035 Phone: (408)432-1900 Fax: (408)434-0507			
APPROVALS	DATE				
DRAWN MEI	01/31/05	TITLE SCH, LTC3828EUH, DUAL OUTPUT HIGH DENSITY 17A STEP-DOWN DC/DC WITH TRACKING			
CHECKED					
APPROVED					
ENGINEER					
DESIGNER		SIZE	CAGE CODE	DWG NO	REV
		A		DC884A	2
Thursday, September 01, 2005		SCALE: NONE	FILENAME: 884A-2.DSN	SHEET	2 OF 2