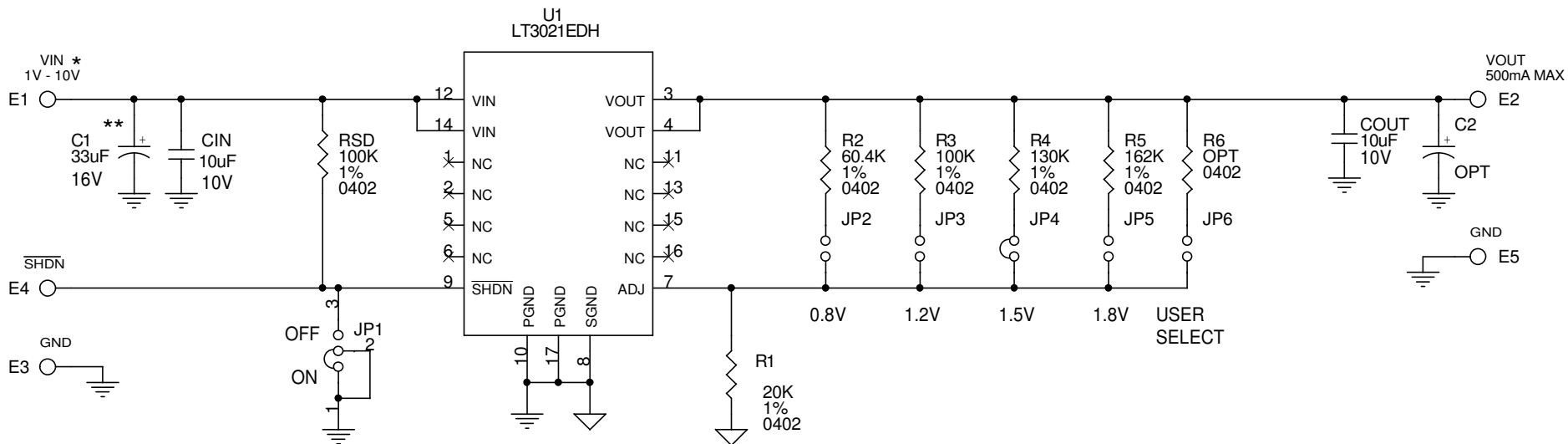


This circuit is proprietary to Linear Technology and supplied for use with Linear Technology parts.

Customer Notice: Linear Technology has made a best effort to design a circuit that meets customer-supplied specifications; however, it remains the customer's responsibility to verify proper and reliable operation in the actual application. Component substitution and printed circuit board layout may significantly affect circuit performance or reliability. Contact Linear Applications Engineering for assistance.


REVISION HISTORY

ECO	REV	DESCRIPTION	DATE	APPROVED
	2	PROTO	04/01/05	



* 1V IS THE MINIMUM INPUT VOLTAGE THAT LT3021EDHC WILL OPERATE AT. THE MINIMUM VOLTAGE FOR A SPECIFIC REGULATOR CIRCUIT DEPENDS ON THE OUTPUT VOLTAGE (PLUS THE DROPOUT VOLTAGE).

** FOR DEMO BOARD PURPOSES ONLY CAPACITOR C1 IS AN OPTIONAL PART. IT WAS INSERTED ON THE DC865A TO DAMPEN THE (POSSIBLE) RINGING VOLTAGE DUE TO THE USE OF LONG INPUT LEADS. ON A NORMAL, TYPICAL PCB, WITH SHORT TRACES, THE CAPACITOR IS NOT NEEDED.

CONTRACT NO.		 1630 McCarthy Blvd. Milpitas, CA 95035 Phone: (408)432-1900 Fax: (408)434-0507	
APPROVALS	DATE		
DRAWN	MEI	12/01/04	TITLE SCH, LT3021EDH, LOW VOLTAGE LDO LINEAR REGULATOR
CHECKED			
APPROVED			
ENGINEER			
DESIGNER			
Wednesday, May 18, 2005		SCALE:	SIZE CAGE CODE DWG NO DC865A REV 2
FILENAME: 856A-2.DSN		SHEET 1	OF 1