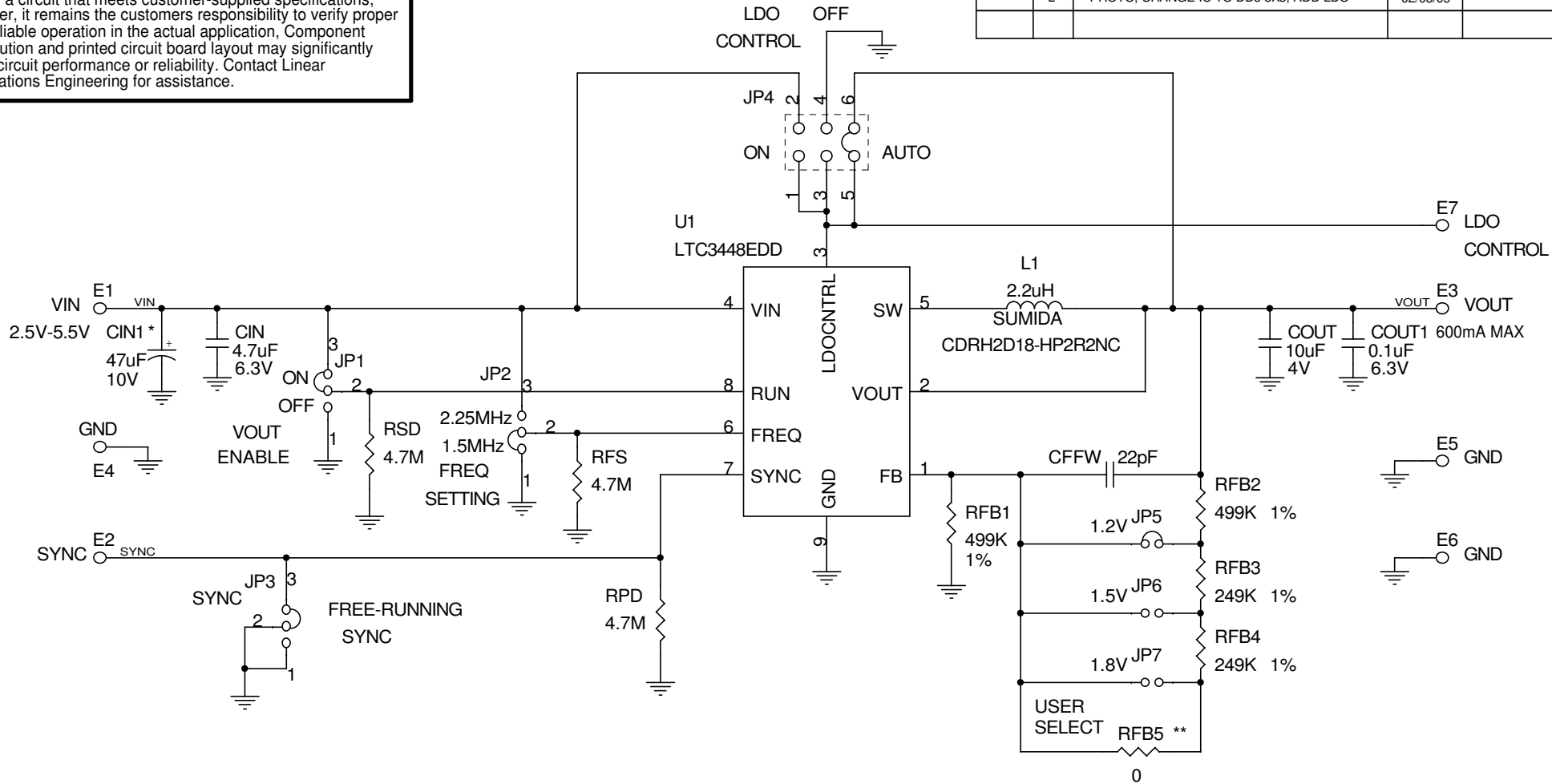



This circuit is proprietary to Linear Technology and supplied for use with Linear Technology parts.
Customer Notice: Linear Technology has made a best effort to design a circuit that meets customer-supplied specifications; however, it remains the customers responsibility to verify proper and reliable operation in the actual application. Component substitution and printed circuit board layout may significantly affect circuit performance or reliability. Contact Linear Applications Engineering for assistance.

REVISION HISTORY				
ECO	REV	DESCRIPTION	DATE	APPROVED
	2	PROTO, CHANGE IC TO DD8 3X3, ADD LDO	02/03/05	



*CAPACITOR CIN1 IS AN OPTIONAL PART. IT WAS INSERTED ON THE DC840A TO DAMPEN THE (POSSIBLE) RINGING VOLTAGE DUE TO THE USE OF LONG INPUT LEADS. ON A NORMAL, TYPICAL PCB, WITH SHORT TRACES, THE CAPACITOR IS NOT NEEDED.

**SPACE PROVIDED FOR AN OPTIONAL RESISTOR TO PROGRAM A CUSTOM OUTPUT VOLTAGE. RFB5 IS INSERTED TO PREVENT THE OUTPUT VOLTAGE FROM RISING TO VIN IN CASE THE JUMPER SHUNT IS ACCIDENTALLY LEFT OFF.

CONTRACT NO.		 LINEAR TECHNOLOGY 1630 McCarthy Blvd. Milpitas, CA 95035 Phone: (408)432-1900 Fax: (408)434-0507
APPROVALS	DATE	
DRAWN MEI	09/24/04	TITLE SCH, LTC3448EDD, BUCK/LDO REGULATOR
CHECKED		
APPROVED		
ENGINEER		
DESIGNER		
Thursday, February 03, 2005		SIZE CAGE CODE DWG NO DC840A
SCALE:		FILENAME: 840A-2.DSN SHEET 1 OF 1