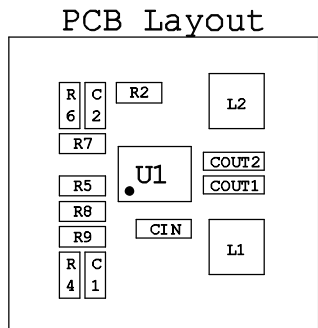
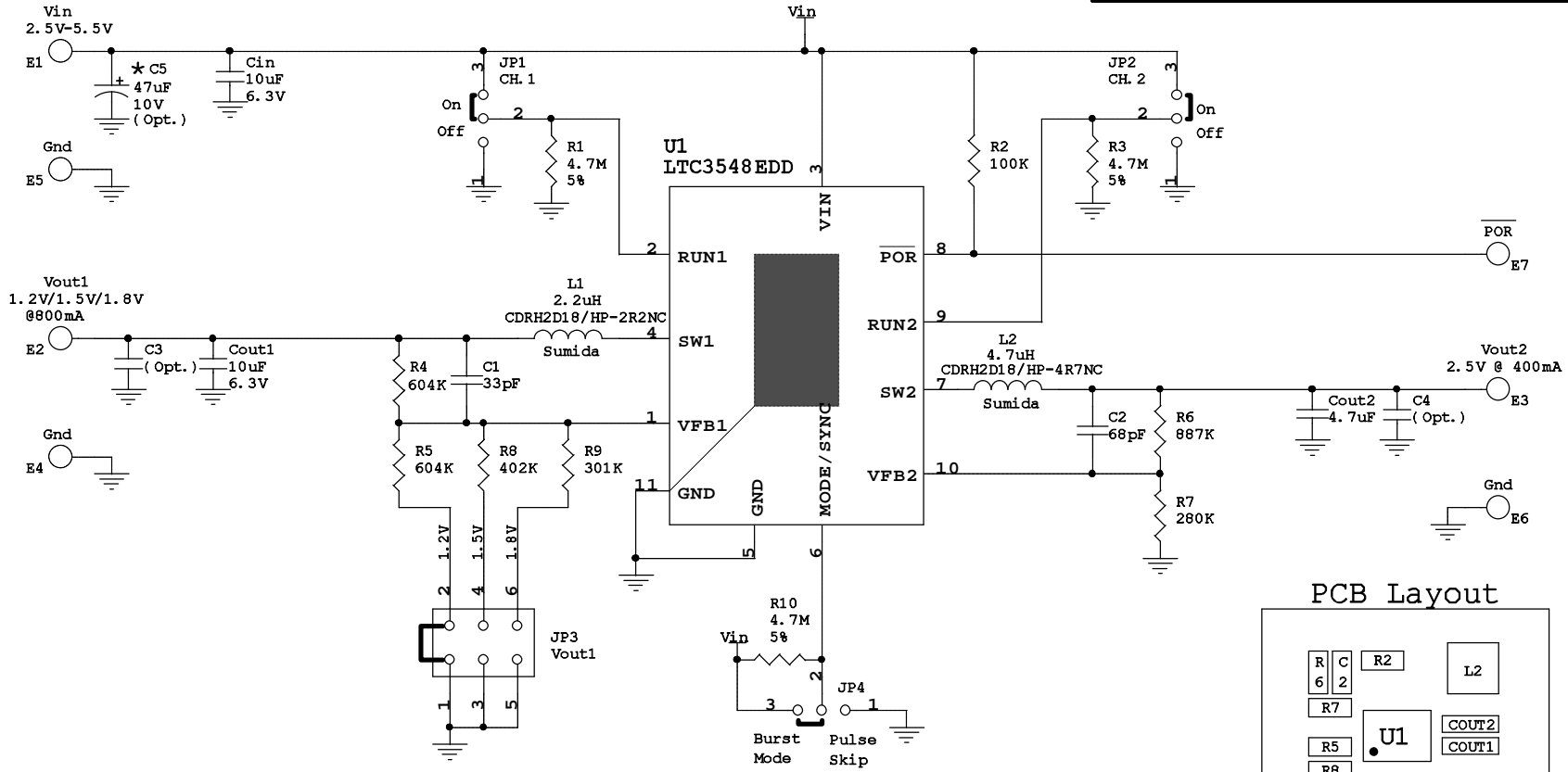


This circuit is proprietary to Linear Technology and supplied for use with Linear Technology parts.
Customer Notice: Linear Technology has made a best effort to design a circuit that meets customer-supplied specifications; however, it remains the customers responsibility to verify proper and reliable operation in the actual application, Component substitution and printed circuit board layout may significantly affect circuit performance or reliability. Contact Linear Applications Engineering for assistance.



* Capacitor C5 is an optional part. It was inserted on the DC822A to dampen the (possible) ringing voltage due to the use of long input leads. On a normal, typical PCB, with short traces, the capacitor is not needed.

LINEAR TECHNOLOGY CORPORATION
 1630 McCARTHY BLVD.
 MILPITAS, CA. 95035
 408-432-1900x 3979
 408-434-0507 FAX

Title: **Dual Synchronous Step-Down DC/DC Converter**

Size	Document Number	Rev
	DEMO CIRCUIT 822A LTC3548EDD	0

Date: Monday, February 28, 2005 Sheet 1 of 1