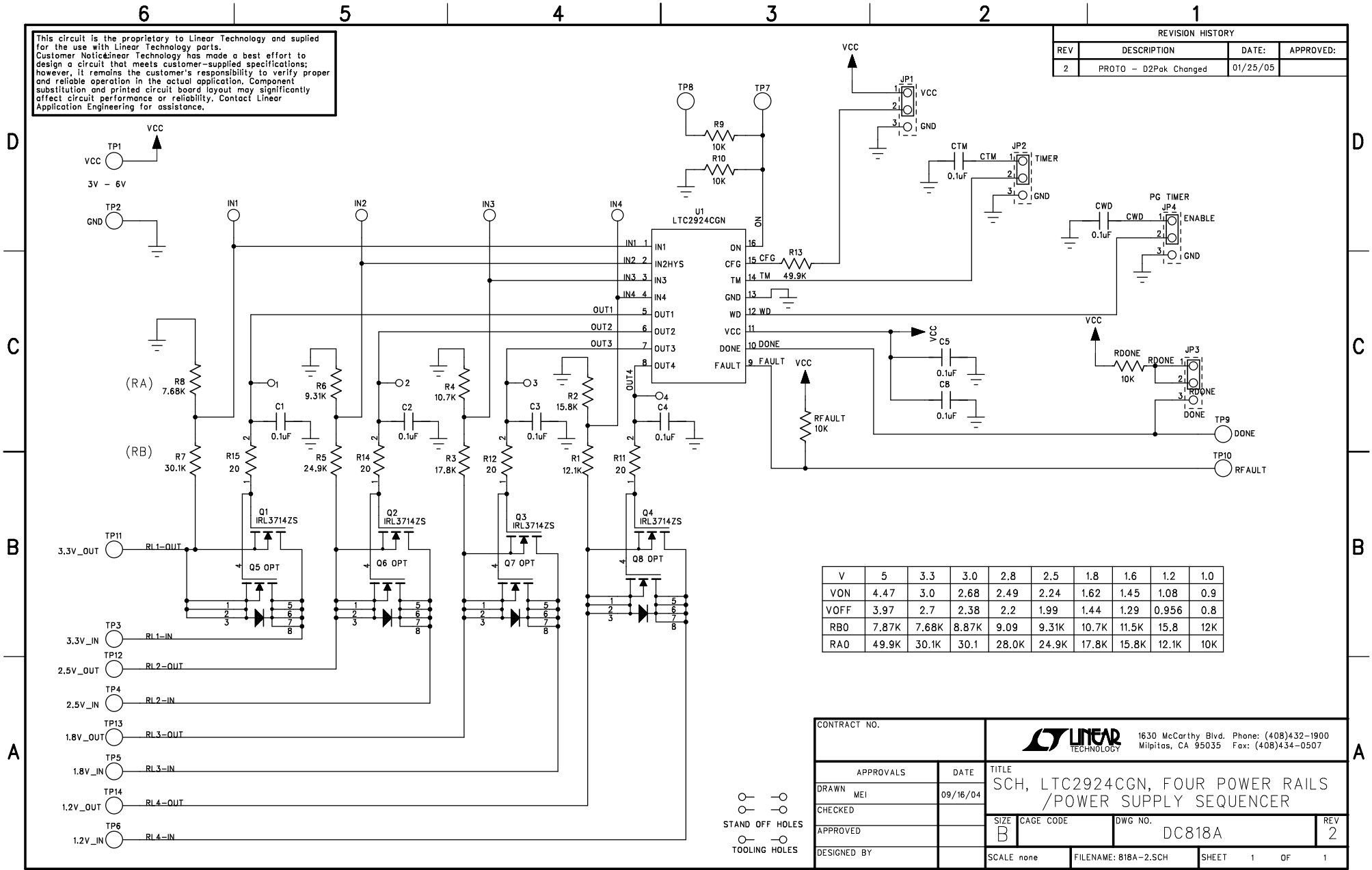
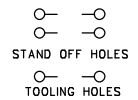


This circuit is the proprietary to Linear Technology and supplied for the use with Linear Technology parts. Customer Notice: Linear Technology has made a best effort to design a circuit that meets customer-supplied specifications; however, it remains the customer's responsibility to verify proper and reliable operation in the actual application. Component substitution and printed circuit board layout may significantly affect circuit performance or reliability. Contact Linear Application Engineering for assistance.

REVISION HISTORY			
REV	DESCRIPTION	DATE	APPROVED
2	PROTO - D2Pak Changed	01/25/05	



V	5	3.3	3.0	2.8	2.5	1.8	1.6	1.2	1.0
VON	4.47	3.0	2.68	2.49	2.24	1.62	1.45	1.08	0.9
VOFF	3.97	2.7	2.38	2.2	1.99	1.44	1.29	0.956	0.8
RB0	7.87K	7.68K	8.87K	9.09	9.31K	10.7K	11.5K	15.8	12K
RA0	49.9K	30.1K	30.1	28.0K	24.9K	17.8K	15.8K	12.1K	10K



CONTRACT NO.		1630 McCarthy Blvd. Phone: (408)432-1900 Milpitas, CA 95035 Fax: (408)434-0507	
APPROVALS	DATE		
DRAWN MEI	09/16/04	TITLE	
CHECKED		SCH, LTC2924CGN, FOUR POWER RAILS / POWER SUPPLY SEQUENCER	
APPROVED		SIZE B	CAGE CODE
DESIGNED BY		DWG NO.	REV 2
SCALE none		FILENAME: 818A-2.SCH	SHEET 1 OF 1