

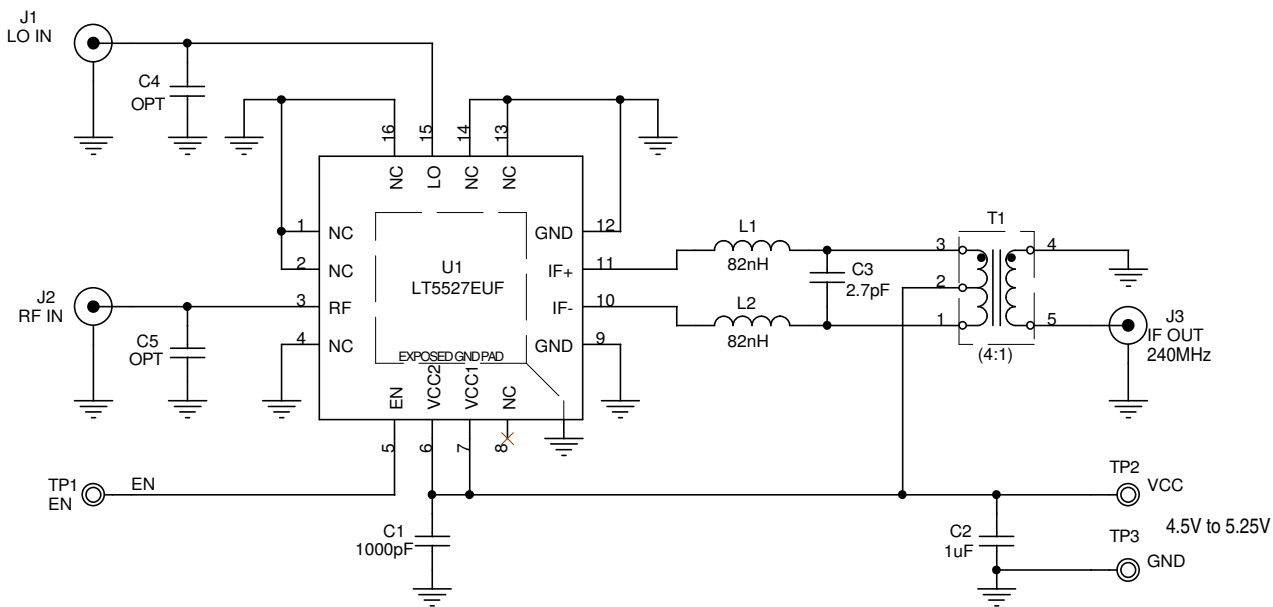
PROPRIETARY DATA:

This circuit is proprietary to Linear Technology and supplied for use with Linear Technology parts.

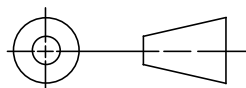
CUSTOMER NOTICE: Linear Technology has made a best effort to design a circuit that meets customer-supplied specifications; however, it remains the customer's responsibility to verify proper and reliable operation in the actual application. Component substitution and printed circuit board layout may significantly affect circuit performance or reliability. Contact Linear Technology Applications Engineering for assistance.

REVISION HISTORY

ECO	REV	DESCRIPTION	DATE	APPROVED



UNLESS OTHERWISE SPECIFIED
DIMENSIONS ARE IN INCHES
TOLERANCE ON ANGLE ---
2 PLACES --- 3 PLACES ---
INTERPRET DIM AND TOL
PER ASME Y14.5M -1994



DO NOT SCALE DRAWING

CONTRACT NO.

APPROVALS		DATE
DRAWN	JUNE WU	8/20/04
CHECKED		-
APPROVED		-
ENGINEER	VLAD D.	8/20/04
DESIGNER	-	-

THIRD ANGLE PROJECTION



1630 McCarthy Blvd.
Milpitas, CA 95035
Phone: (408)432-1900
Fax: (408)434-0507

TITLE
LT5527EUF, HIGH LINEARITY DOWNCONVERTING MIXER

SIZE	CAGE CODE	DWG NO	REV
A		DC795A	A

Friday, August 20, 2004

SCALE: NONE FILENAME: 795A.DSN SHEET 1 OF 1