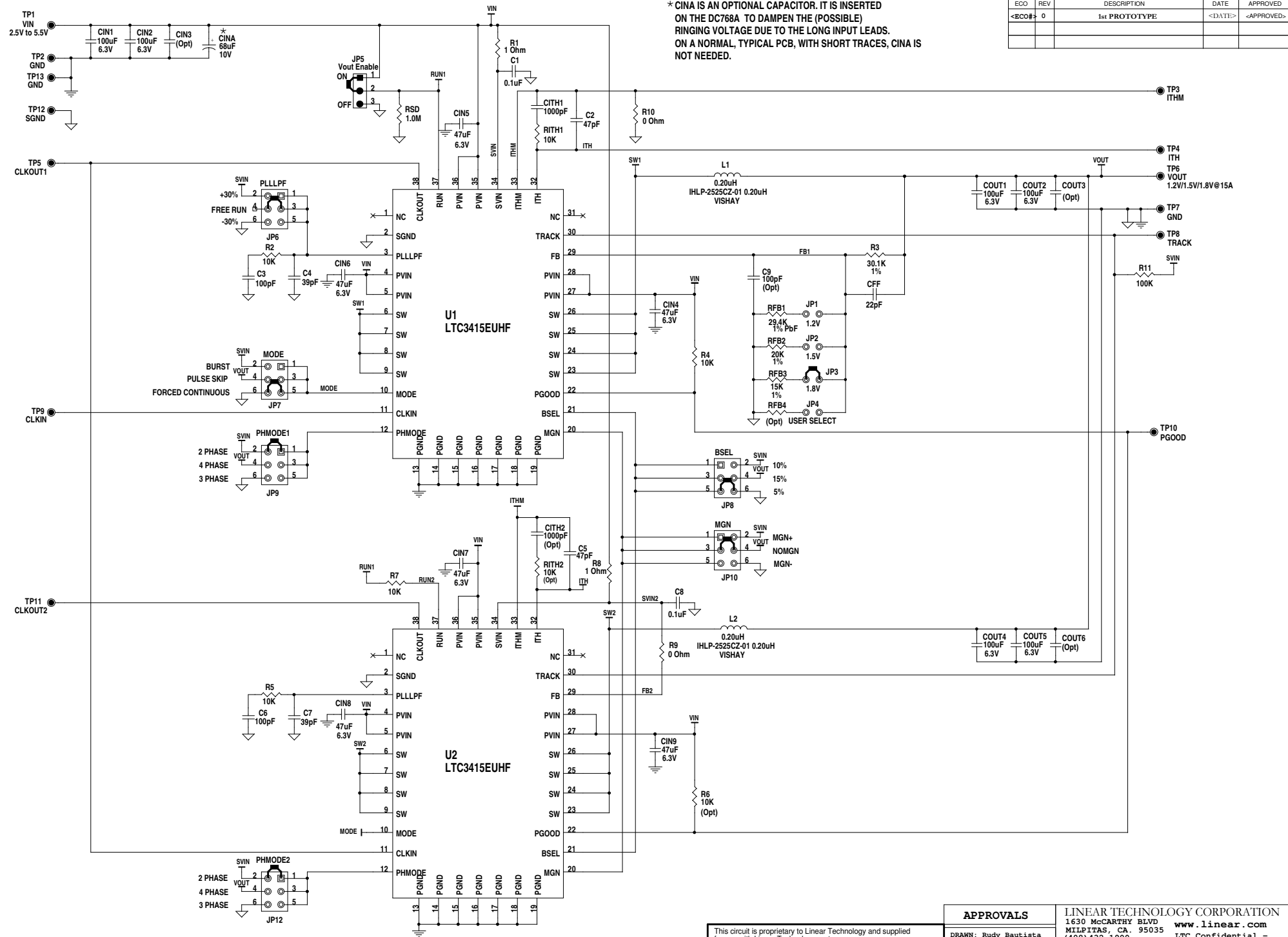


ECO	REV	DESCRIPTION	DATE	APPROVED
<ECO#>	0	1st PROTOTYPE	<DATE>	<APPROVED>

*CINA IS AN OPTIONAL CAPACITOR. IT IS INSERTED ON THE DC768A TO DAMPEN THE (POSSIBLE) RINGING VOLTAGE DUE TO THE LONG INPUT LEADS. ON A NORMAL, TYPICAL PCB, WITH SHORT TRACES, CINA IS NOT NEEDED.



APPROVALS		LINEAR TECHNOLOGY CORPORATION	
DRAWN: Rudy Bautista	ENGINEER: Tom Gross	1630 McCARTHY BLVD MILPITAS, CA. 95035 (408) 432-1900 (408) 434-0507 (FAX)	www.linear.com LTC Confidential - For Customer Use Only
APPROVED:	CHECKED:	Dual Phase 15A Monolithic Synchronous Buck Converter	
DCxxx0A_00_PCB xxx0A_x_DSN		Size: Document Number	Rev: 3
		Date: Monday, February 05, 2007	Sheet 1 of 1

This circuit is proprietary to Linear Technology and supplied for use with Linear Technology parts.
Customer Notice: Linear Technology has made a best effort to design a circuit that meets customer-supplied specifications; however, it remains the customers responsibility to verify proper and reliable operation in the actual application. Component substitution and printed circuit board layout may significantly affect circuit performance or reliability. Contact Linear Applications Engineering for assistance.