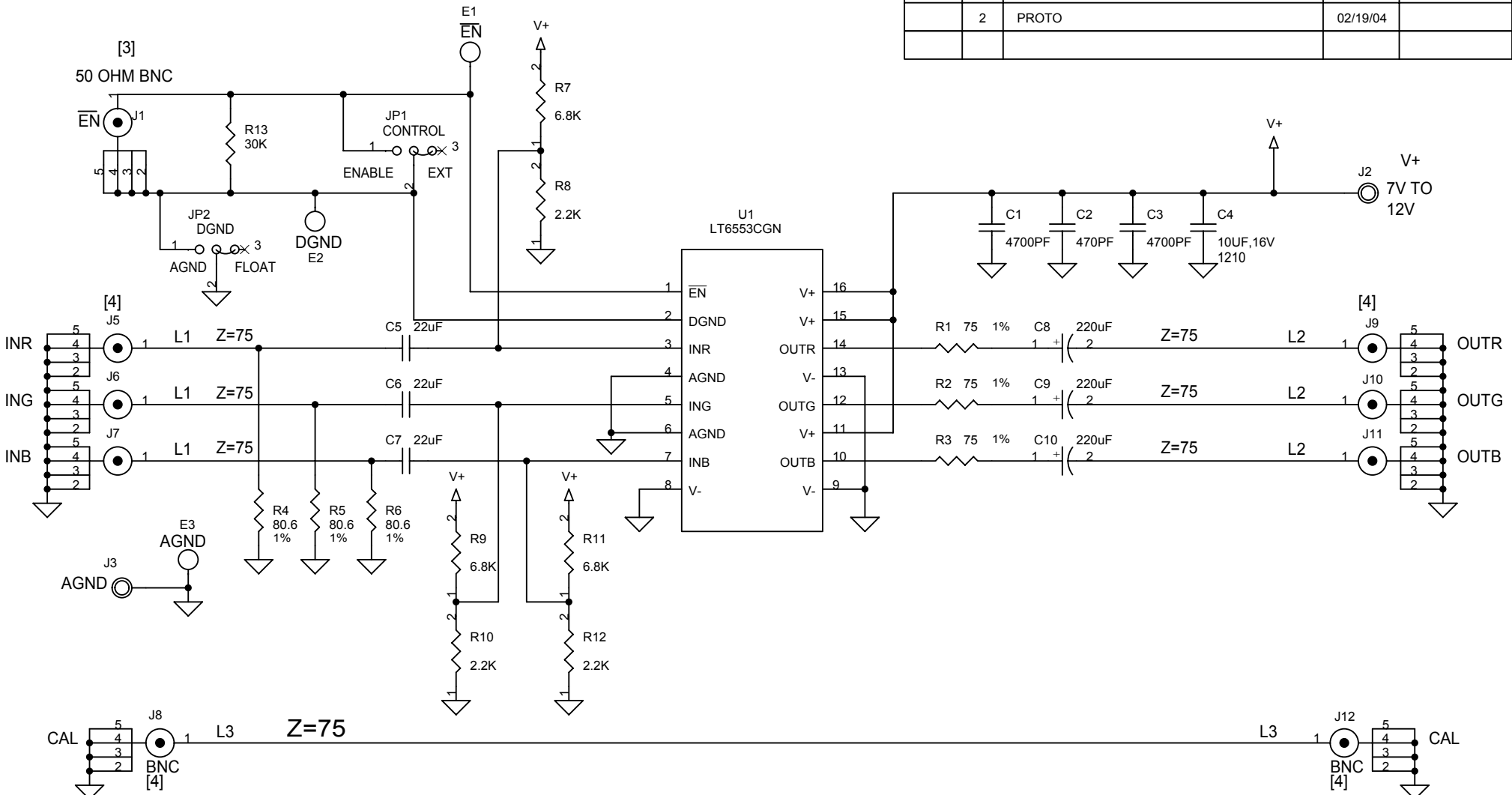


REVISION HISTORY				
ECO	REV	DESCRIPTION	DATE	APPROVED
	2	PROTO	02/19/04	




NOTES: UNLESS OTHERWISE SPECIFIED

- 1. SHDN CONNECTOR IS A GENERIC 50 OHMS VERTICAL BNC.
- 2. VERTICAL CONNECTORS ARE CANARE BCJ-BPLH BNC.
- [3] INSTALL SHUNTS AT PINS 2 AND 3 AT HEADERS JP1-JP3.
- [4] L1+L2=L3.

This circuit is proprietary to Linear Technology and supplied for use with Linear Technology parts.

Customer Notice: Linear Technology has made a best effort to design a circuit that meets customer-supplied specifications; however, it remains the customers responsibility to verify proper and reliable operation in the actual application, Component substitution and printed circuit board layout may significantly affect circuit performance or reliability. Contact Linear Applications Engineering for assistance.

CONTRACT NO.		 1630 McCarthy Blvd. Milpitas, CA 95035 Phone: (408)432-1900 Fax: (408)434-0507	
APPROVALS	DATE		
DRAWN MEI	12/05/03	TITLE	
CHECKED		SCH, LT6553CGN, TRIPLE HIGH SPEED VIDEO AMPLIFIER	
APPROVED		SIZE	CAGE CODE
ENGINEER		DWG NO	
DESIGNER		A	DC743A
Wednesday, March 03, 2004		SCALE <Scale>	FILENAME: 743A-2.DSN
		SHEET	1 OF 1