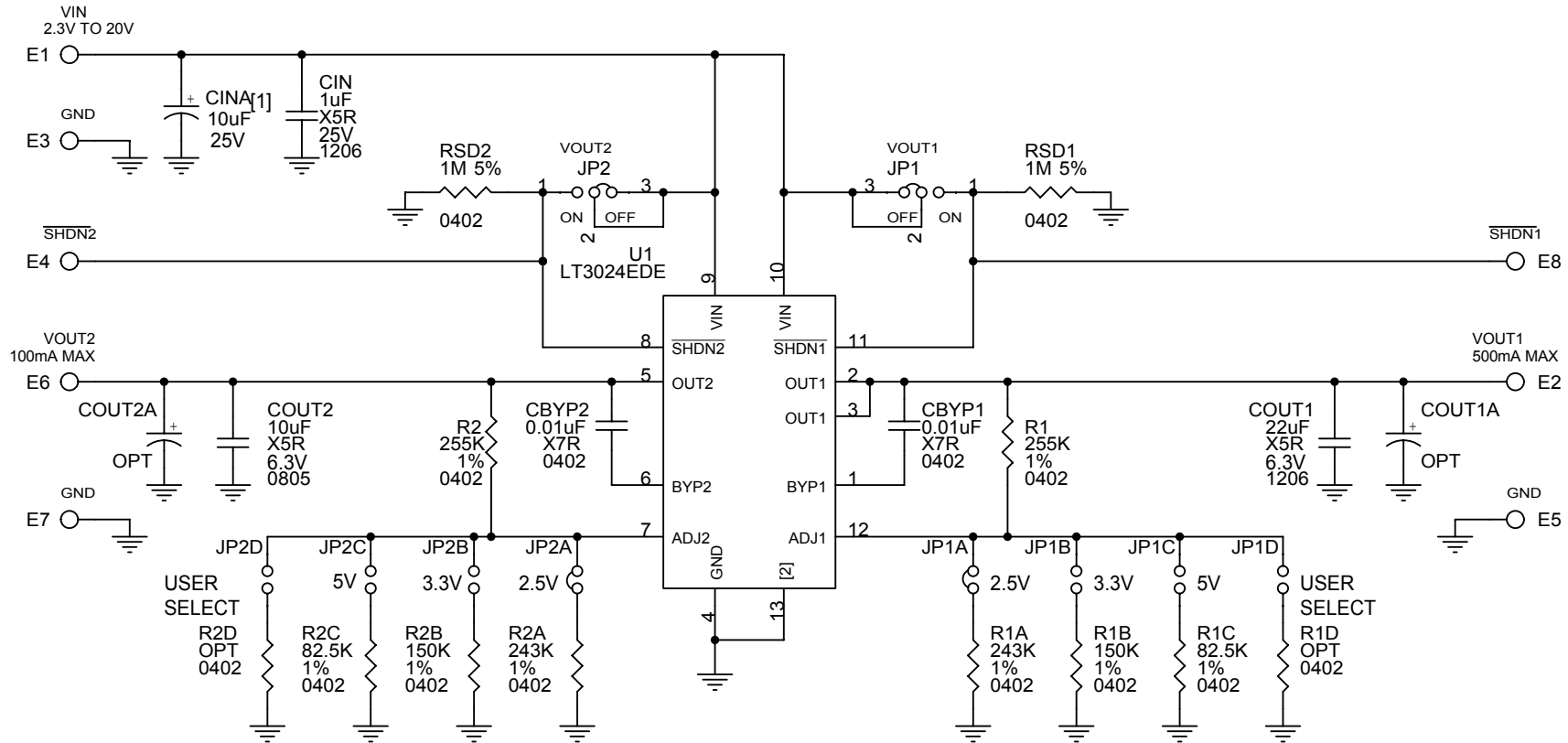


This circuit is proprietary to Linear Technology and supplied for use with Linear Technology parts.

Customer Notice: Linear Technology has made a best effort to design a circuit that meets customer-supplied specifications; however, it remains the customer's responsibility to verify proper and reliable operation in the actual application. Component substitution and printed circuit board layout may significantly affect circuit performance or reliability. Contact Linear Applications Engineering for assistance.

REVISION HISTORY


ECO	REV	DESCRIPTION	DATE	APPROVED
	3	PROTO	05/19/04	



NOTES: UNLESS OTHERWISE SPECIFIED,

[1] CAPACITOR CINA IS AN OPTIONAL PART. IT WAS INSERTED ON THE DC717A TO DAMPEN THE (POSSIBLE) RINGING VOLTAGE DUE TO THE USE OF LONG INPUT LEADS. ON A NORMAL, TYPICAL PCB, WITH SHORT TRACES, THE CAPACITOR IS NOT NEEDED.

[2] PIN 13 IS THE EXPOSED PAD ON THE BOTTOM OF LT3024EDE.

CONTRACT NO.		 1630 McCarthy Blvd. Milpitas, CA 95035 Phone: (408)432-1900 Fax: (408)434-0507		
APPROVALS	DATE			
DRAWN	MEI	09/23/03	TITLE SCH, LT3024EDE, DUAL OUTPUT LDO LINEAR REGULATOR	
CHECKED				
APPROVED				
ENGINEER				
DESIGNER				
Thursday, May 20, 2004		SCALE:	SIZE CAGE CODE DWG NO DC717A	REV 3
LTC CONFIDENTIAL - For Customer Use Only		FILENAME: 717A-3.DSN	SHEET 1	OF 1