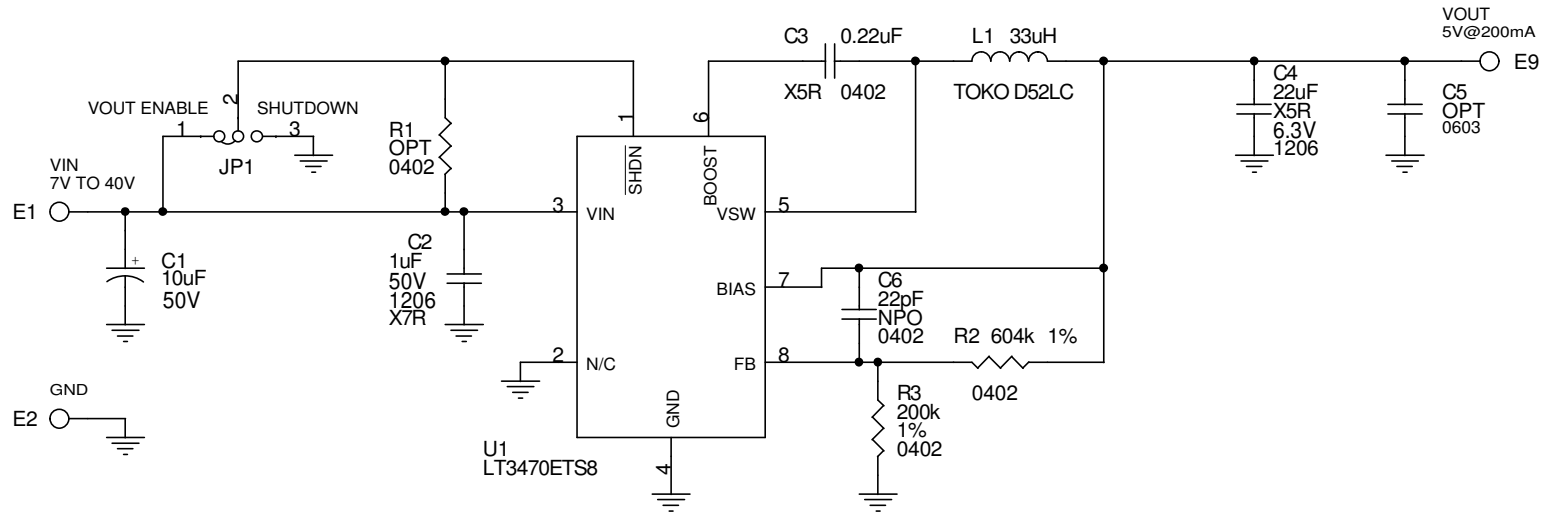



REVISION HISTORY				
ECO	REV	DESCRIPTION	DATE	APPROVED
1	1	REBUILD WITH CHANGE	09/29/09	K.Szolusha



<p align="center">CUSTOMER NOTICE</p> <p>LINEAR TECHNOLOGY HAS MADE A BEST EFFORT TO DESIGN A CIRCUIT THAT MEETS CUSTOMER-SUPPLIED SPECIFICATIONS; HOWEVER, IT REMAINS THE CUSTOMER'S RESPONSIBILITY TO VERIFY PROPER AND RELIABLE OPERATION IN THE ACTUAL APPLICATION. COMPONENT SUBSTITUTION AND PRINTED CIRCUIT BOARD LAYOUT MAY SIGNIFICANTLY AFFECT CIRCUIT PERFORMANCE OR RELIABILITY. CONTACT LINEAR TECHNOLOGY APPLICATIONS ENGINEERING FOR ASSISTANCE.</p> <p>THIS CIRCUIT IS PROPRIETARY TO LINEAR TECHNOLOGY AND SUPPLIED FOR USE WITH LINEAR TECHNOLOGY PARTS.</p>	CONTRACT NO.	 <p>1630 McCarthy Blvd. Milpitas, CA 95035 Phone: (408)432-1900 Fax: (408)434-0507 LTC Confidential-For Customer Use Only</p>									
	APPROVALS										
	PCB DES. MIKEI										
	ENG. KEITHS										
	<p>TITLE: SCHEMATIC</p> <p>40V MICROPPOWER SOT23 BUCK REGULATOR WITH INTEGRATED BOOST AND CATCH DIODES</p>										
	<table border="1"> <tr> <td>SIZE</td> <td>IC NO.</td> <td>REV</td> </tr> <tr> <td>A</td> <td>LT3470ETS8</td> <td>1</td> </tr> <tr> <td colspan="2">DEMO CIRCUIT 716B</td> <td></td> </tr> </table>	SIZE	IC NO.	REV	A	LT3470ETS8	1	DEMO CIRCUIT 716B			
SIZE	IC NO.	REV									
A	LT3470ETS8	1									
DEMO CIRCUIT 716B											
	DATE: Tuesday, September 29, 2009	SHEET 1 OF 1									