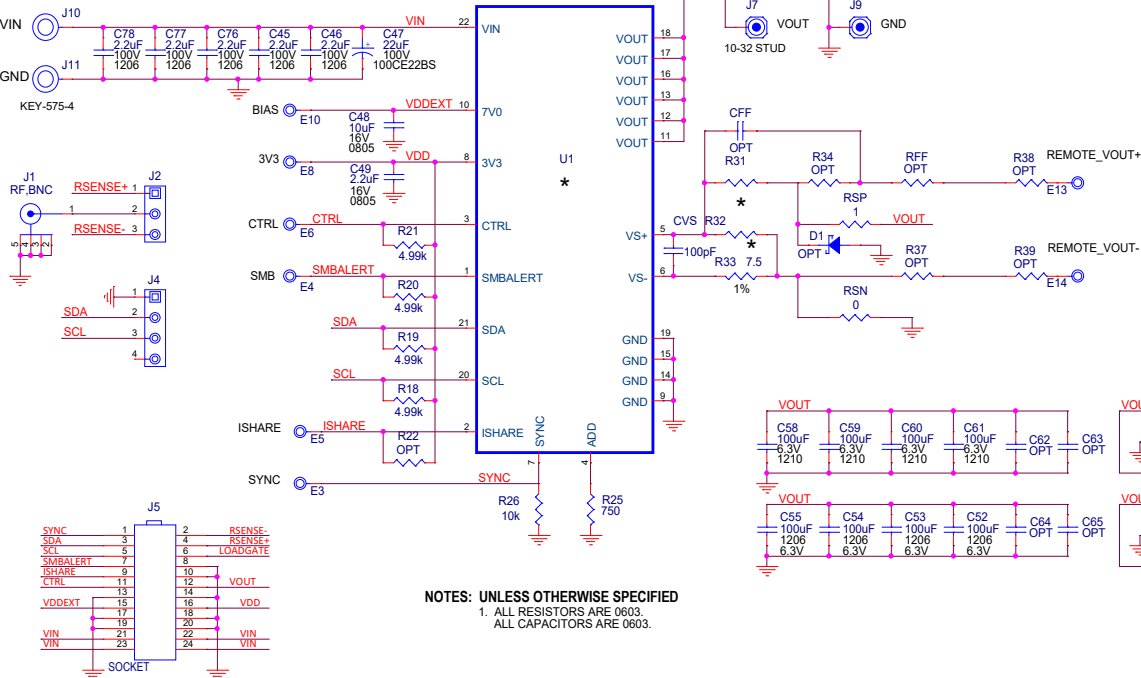


FOR VIN: 45V ~ 65V
INPUT RANGE DEPENDS ON THE FIRMWARE + OUTPUT VOLTAGE

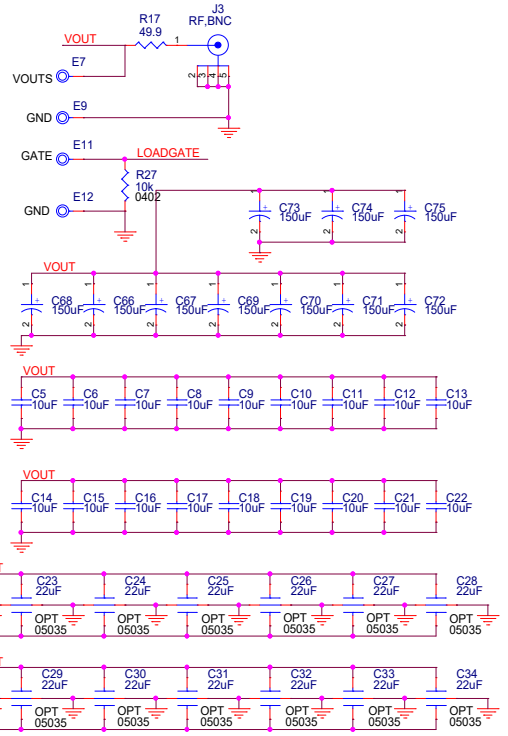


NOTES: UNLESS OTHERWISE SPECIFIED
1. ALL RESISTORS ARE 0603.
ALL CAPACITORS ARE 0603.

- C66, C67, C68, C69, C70, C71, C72, C73, C74, C75:
 DC3190A-A LTP8800-1A EEFGX0D561R (2.5V 560uF 3mOhm 2-terminal)
 DC3190A-B LTP8800-4A EEFGX0D561R (2.5V 560uF 3mOhm 2-terminal)
 DC3190A-C LTP8802 6TPE680M1 (6.3V 680uF 18mOhm 2-terminal)
 DC3190A-D LTP8803 EEFGX0D561R (2.5V 560uF 3mOhm 2-terminal)

* VERISON TABLE

| ASSY TYPE | U1 | R31 | R32 | C66 | C67 | C68 | C69 | C70 | C71 | C72 | C73 | C74 | C75 |
|-----------|------------|-------|------|-------|-------|-------|-------|-------|-------|-------|-------|-------|-------|
| DC3190A-A | LTP8800-1A | 1k | 2k | 560uF | 560uF | 560uF | 560uF | 560uF | 560uF | 560uF | 560uF | 560uF | 560uF |
| DC3190A-B | LTP8800-4A | 1k | 2k | 560uF | 560uF | 560uF | 560uF | 560uF | 560uF | 560uF | 560uF | 560uF | 560uF |
| DC3190A-C | LTP8802-1A | 2.87k | 511 | 680uF | 680uF | 680uF | 680uF | 680uF | 680uF | 680uF | 680uF | 680uF | 680uF |
| DC3190A-D | LTP8803-1A | 1k | 1.3k | 560uF | 560uF | 560uF | 560uF | 560uF | 560uF | 560uF | 560uF | 560uF | 560uF |



PCA ADDITIONAL PARTS

- LB1 LABEL SPEC, DEMO BOARD SERIAL NUMBER
- MH1 STANDOFF, NYLON, SNAP-ON 0.375"
- MH2 STANDOFF, NYLON, SNAP-ON 0.375"
- MH3 STANDOFF, NYLON, SNAP-ON 0.375"
- MH4 STANDOFF, NYLON, SNAP-ON 0.375"
- STNCL1 TOOL, STENCIL, 700-DC3190A REV05
- PCB1 PCB, DC3190A REV05

<Variant Name>

| | | | |
|---|--|--|--------------|
| <p>CUSTOMER NOTICE</p> <p>ANALOG DEVICES HAS MADE A BEST EFFORT TO DESIGN A CIRCUIT THAT MEETS CUSTOMER-SUPPLIED SPECIFICATIONS; HOWEVER, IT REMAINS THE CUSTOMER'S RESPONSIBILITY TO VERIFY PROPER AND RELIABLE OPERATION IN THE ACTUAL APPLICATION. COMPONENT SUBSTITUTION AND PRINTED CIRCUIT BOARD LAYOUT MAY SIGNIFICANTLY AFFECT CIRCUIT PERFORMANCE OR RELIABILITY. CONTACT ANALOG DEVICES APPLICATIONS ENGINEERING FOR ASSISTANCE.</p> | <p>APPROVALS</p> <p>PCB DES. _____</p> <p>APP ENG. _____</p> | <p>ANALOG DEVICES www.analog.com</p> <p>TITLE: SCHEMATIC</p> <p>54V Input, High Current DC/DC Power uModule with PMBUS Interface</p> <p>IC NO. LTP88xx SCHEMATIC NO. AND REVISION: SKU NO. DC3190A 710-DC3190A_REV05</p> <p>SIZE: N/A DATE: Tuesday, December 20, 2022 SHEET 1 OF 1</p> | |
| | <p>THIS CIRCUIT IS PROPRIETARY TO ANALOG DEVICES AND SUPPLIED FOR USE WITH ANALOG DEVICES PARTS.</p> | | <p>_____</p> |
| | <p>_____</p> | | <p>_____</p> |
| | <p>_____</p> | | <p>_____</p> |