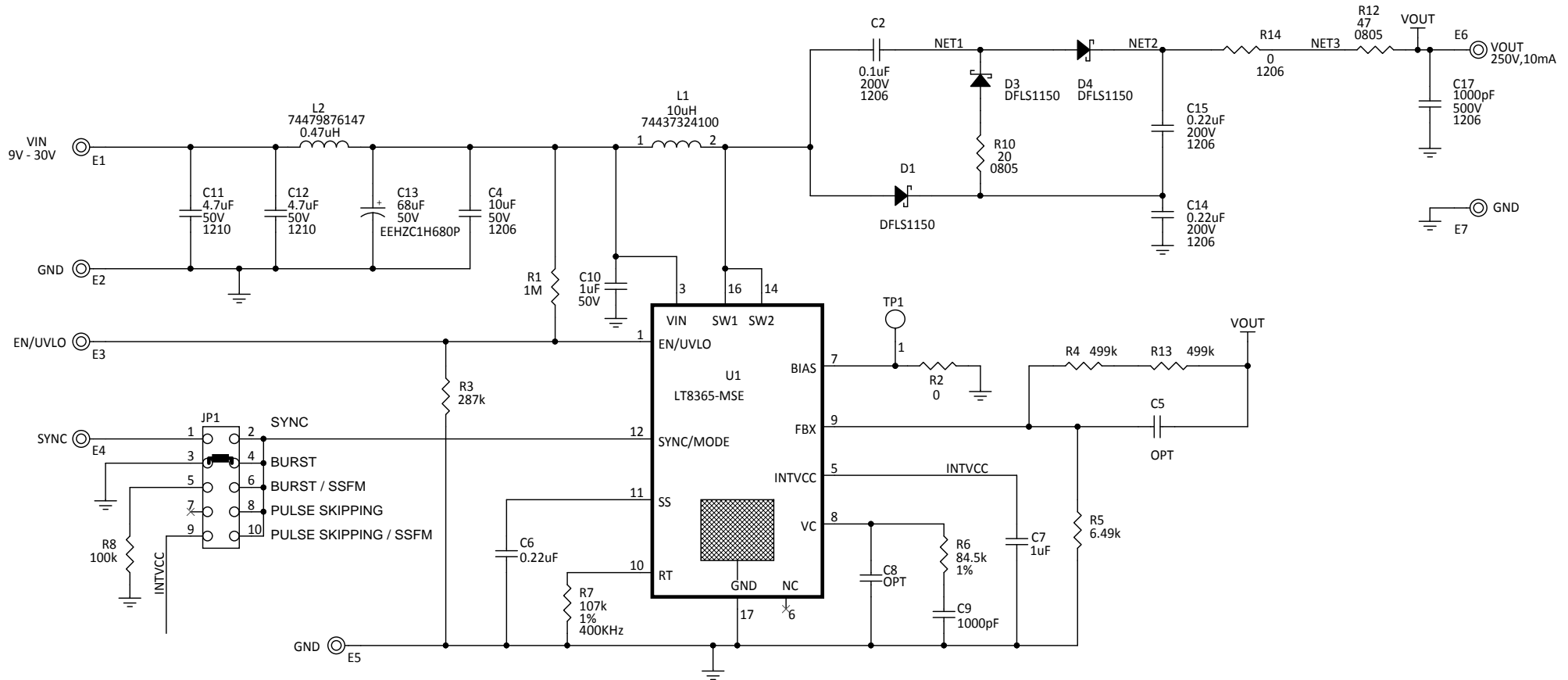
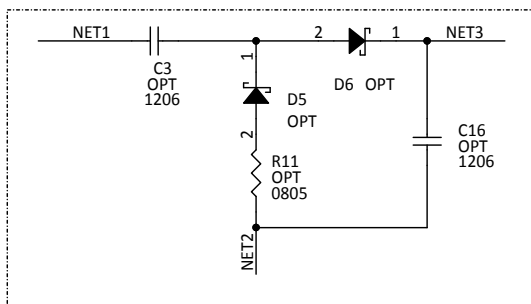


**WARNING: SHOCK HAZARD!**



**OPTIONAL CIRCUIT FOR HIGHER VOLTAGE:**



**NOTES: UNLESS OTHERWISE SPECIFIED**

1. ALL RESISTORS ARE 0603.
- ALL CAPACITORS ARE 0603.

<Variant Name>

**CUSTOMER NOTICE**

ANALOG DEVICES HAS MADE A BEST EFFORT TO DESIGN A CIRCUIT THAT MEETS CUSTOMER-SUPPLIED SPECIFICATIONS; HOWEVER, IT REMAINS THE CUSTOMER'S RESPONSIBILITY TO VERIFY PROPER AND RELIABLE OPERATION IN THE ACTUAL APPLICATION. COMPONENT SUBSTITUTION AND PRINTED CIRCUIT BOARD LAYOUT MAY SIGNIFICANTLY AFFECT CIRCUIT PERFORMANCE OR RELIABILITY. CONTACT ANALOG DEVICES APPLICATIONS ENGINEERING FOR ASSISTANCE.

THIS CIRCUIT IS PROPRIETARY TO ANALOG DEVICES AND SUPPLIED FOR USE WITH ANALOG DEVICES PARTS.



www.analog.com

TITLE: SCHEMATIC		
<b>LOW I<sub>Q</sub> BOOST/SEPIC/INVERTING CONVERTER WITH 150V, 1.5A SWITCH</b>		
IC NO.	LT8365EMSE	SCHMATIC NO. AND REVISION:
SKU NO.	DC2838A	<b>710-DC2838A_REV02</b>
SIZE:	N/A	DATE: Monday, July 15, 2019
		SHEET 1 OF 1