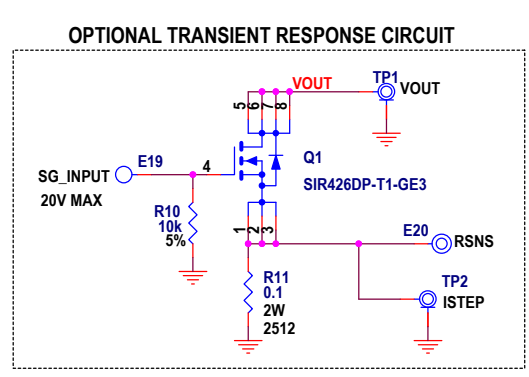
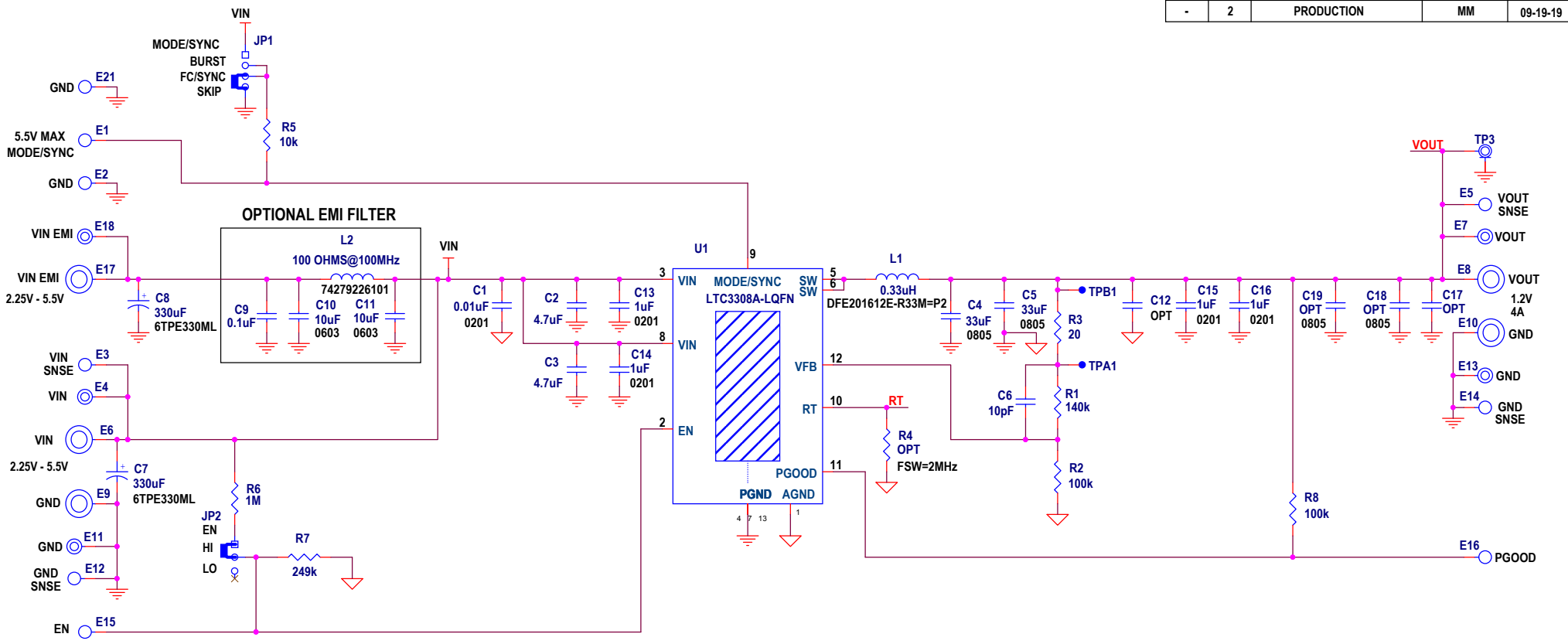


REVISION HISTORY				
ECO	REV	DESCRIPTION	APPROVED	DATE
-	2	PRODUCTION	MM	09-19-19



**PCA ADDITIONAL PARTS**

MP1	STANDOFF,NYLON,SNAP-ON,0.50"
MP2	STANDOFF,NYLON,SNAP-ON,0.50"
MP3	STANDOFF,NYLON,SNAP-ON,0.50"
MP4	STANDOFF,NYLON,SNAP-ON,0.50"
LB1	LABEL
PCB1	PCB, DC2991A REV02
STNCL1	TOOL, STENCIL, DC2991A REV02

**CUSTOMER NOTICE**

LINEAR TECHNOLOGY HAS MADE A BEST EFFORT TO DESIGN A CIRCUIT THAT MEETS CUSTOMER-SUPPLIED SPECIFICATIONS; HOWEVER, IT REMAINS THE CUSTOMER'S RESPONSIBILITY TO VERIFY PROPER AND RELIABLE OPERATION IN THE ACTUAL APPLICATION. COMPONENT SUBSTITUTION AND PRINTED CIRCUIT BOARD LAYOUT MAY SIGNIFICANTLY AFFECT CIRCUIT PERFORMANCE OR RELIABILITY. CONTACT LINEAR TECHNOLOGY APPLICATIONS ENGINEERING FOR ASSISTANCE.

THIS CIRCUIT IS PROPRIETARY TO LINEAR TECHNOLOGY AND SUPPLIED FOR USE WITH LINEAR TECHNOLOGY PARTS.

**APPROVALS**

PCB DES.	NC
APP ENG.	MM
IC NO.	LTC3308A
SKU NO.	DC2991A

**ANALOG DEVICES** | **POWER BY LINEAR**

www.analog.com | www.linear.com | Phone: (408)432-1900

**TITLE: DEMO CIRCUIT SCHEMATIC, 5V, 4A SYNCHRONOUS STEP-DOWN SILENT SWITCHER**

PCA BOM: 700-DC2991A_REV02	SCHEMATIC NO. AND REVISION: 710-DC2991A_REV02
PCA ASSY: 705-DC2991A_REV02	

SIZE: N/A | SCALE = NONE | DATE: 09-19-19 | SHEET 1 OF 1

NOTES: UNLESS OTHERWISE SPECIFIED  
 1. RESISTORS: OHMS, 0402, 1%, 1/16W  
 2. CAPACITORS: 0402