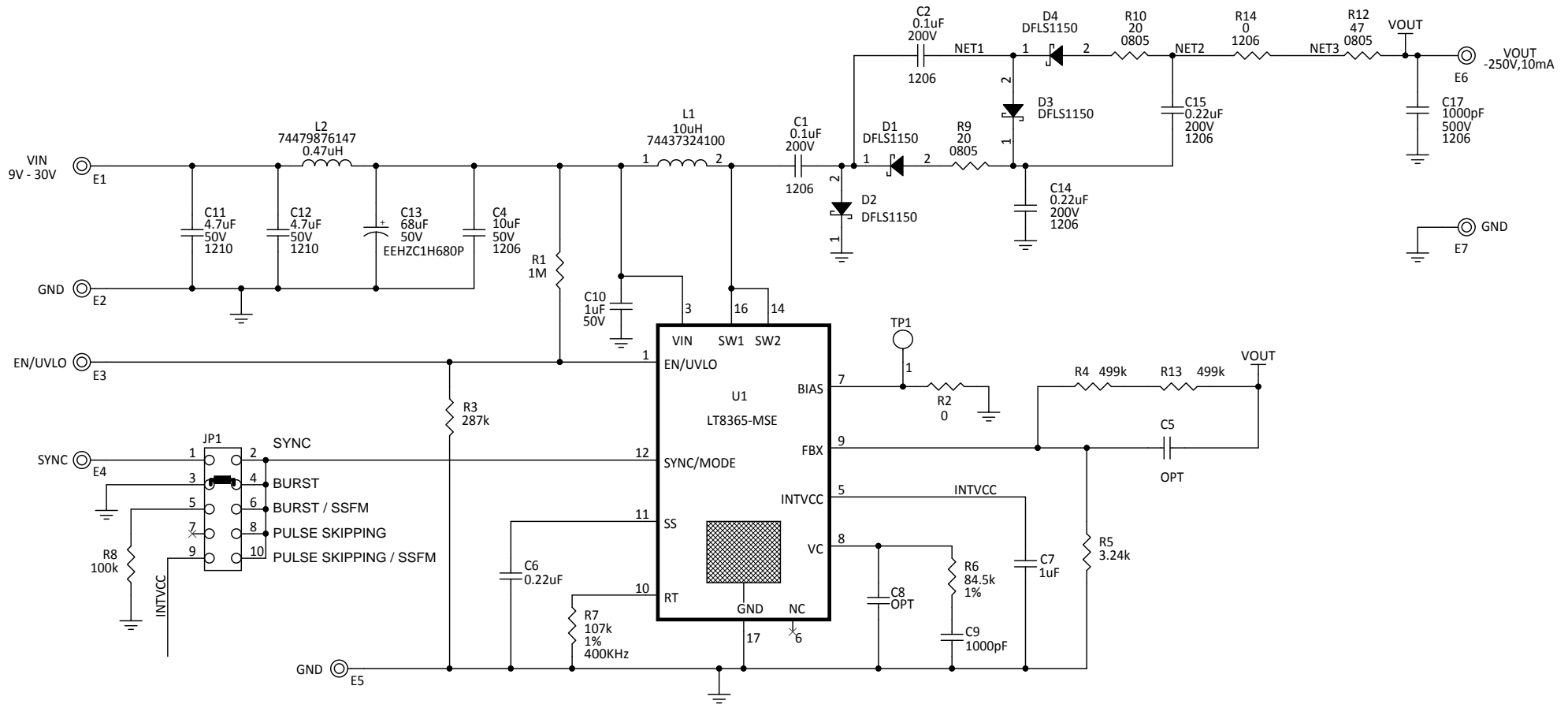
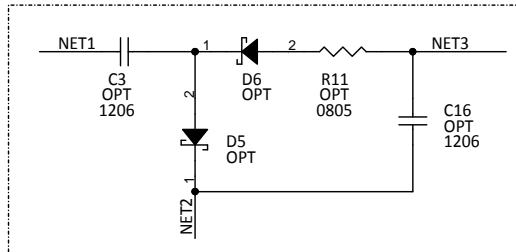


WARNING: SHOCK HAZARD!





OPTIONAL CIRCUIT FOR HIGHER VOLTAGE:



NOTES: UNLESS OTHERWISE SPECIFIED  
 1. ALL RESISTORS ARE 0603.  
 ALL CAPACITORS ARE 0603.

<Core Design>

CUSTOMER NOTICE		APPROVALS		  www.analog.com Phone: (408)432-1900
ANALOG DEVICES HAS MADE A BEST EFFORT TO DESIGN A CIRCUIT THAT MEETS CUSTOMER-SUPPLIED SPECIFICATIONS; HOWEVER, IT REMAINS THE CUSTOMER'S RESPONSIBILITY TO VERIFY PROPER AND RELIABLE OPERATION IN THE ACTUAL APPLICATION. COMPONENT SUBSTITUTION AND PRINTED CIRCUIT BOARD LAYOUT MAY SIGNIFICANTLY AFFECT CIRCUIT PERFORMANCE OR RELIABILITY. CONTACT ANALOG DEVICES APPLICATIONS ENGINEERING FOR ASSISTANCE.		PCB DES.	R. L.	
THIS CIRCUIT IS PROPRIETARY TO ANALOG DEVICES AND SUPPLIED FOR USE WITH ANALOG DEVICES PARTS.		APP ENG.	J. R.	
		TITLE: SCHEMATIC		
		LOW I <sub>Q</sub> BOOST/SEPIC/INVERTING CONVERTER WITH 150V, 1.5A SWITCH		
		IC NO.	LT8365EMSE	SCHMATIC NO. AND REVISION:
		SKU NO.	DC2840A	<b>710-DC2840A_REV02</b>
		SIZE:	N/A	DATE: Monday, October 29, 2018
				SHEET 1 OF 1