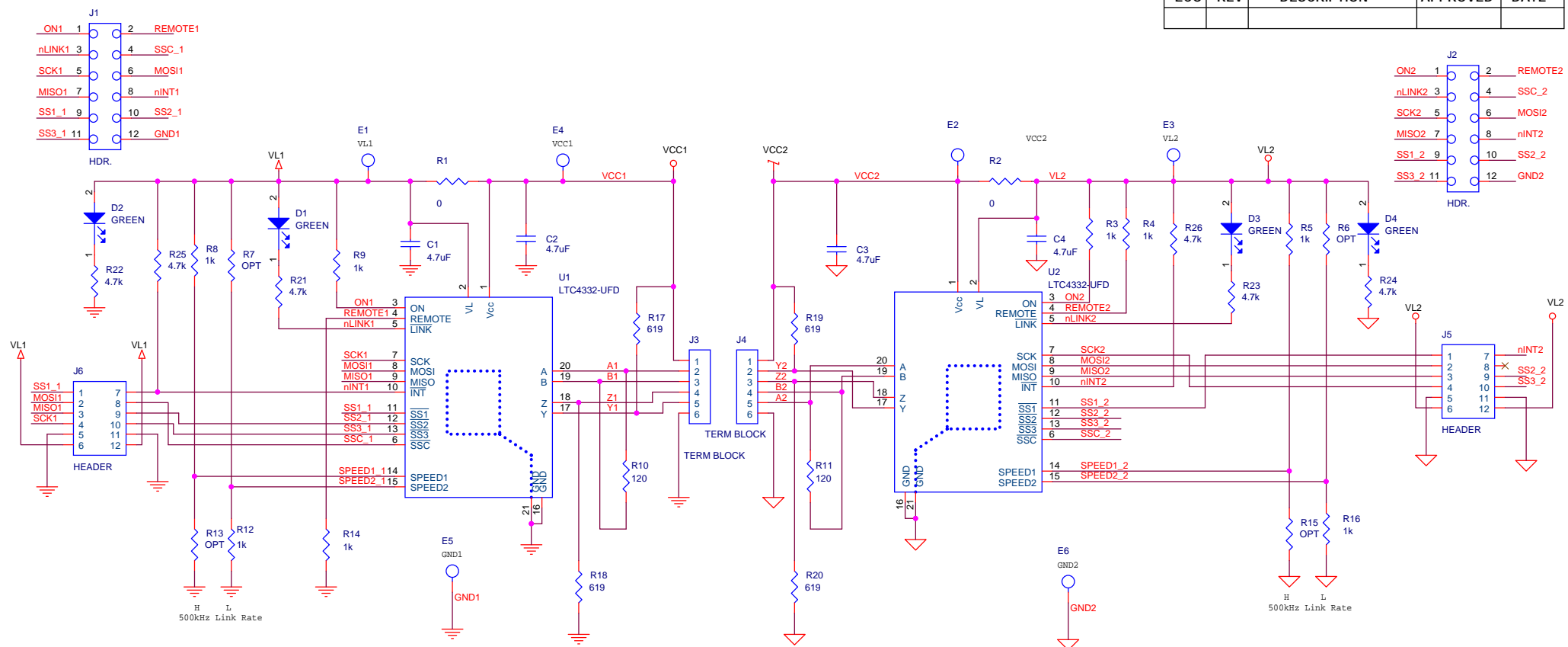



REVISION HISTORY				
ECO	REV	DESCRIPTION	APPROVED	DATE



STNCL1	TOOL, STENCIL, 700-DC2799A	REV02
PCB1	PCB, DC2799A	REV02
LB1	LABEL	
MP1	CONN., TERM BLOCK, PLUG, 1x6, 2.54mm, VERT	
MP2	CONN., TERM BLOCK, PLUG, 1x6, 2.54mm, VERT	
MP3	JUMPER ASSEMBLY INSTRUCTIONS	REV01

<p align="center">CUSTOMER NOTICE</p> <p>LINEAR TECHNOLOGY HAS MADE A BEST EFFORT TO DESIGN A CIRCUIT THAT MEETS CUSTOMER-SUPPLIED SPECIFICATIONS; HOWEVER, IT REMAINS THE CUSTOMER'S RESPONSIBILITY TO VERIFY PROPER AND RELIABLE OPERATION IN THE ACTUAL APPLICATION. COMPONENT SUBSTITUTION AND PRINTED CIRCUIT BOARD LAYOUT MAY SIGNIFICANTLY AFFECT CIRCUIT PERFORMANCE OR RELIABILITY. CONTACT LINEAR TECHNOLOGY APPLICATIONS ENGINEERING FOR ASSISTANCE.</p>		<p align="center">APPROVALS</p>		 <p>1630 McCarthy Blvd. Milpitas, CA 95035 Phone: (408)432-1900 www.linear.com Fax: (408)434-0507 LTC Confidential-For Customer Use Only</p>	
		PCB DES.	EB		APP ENG.
<p>THIS CIRCUIT IS PROPRIETARY TO LINEAR TECHNOLOGY AND SUPPLIED FOR USE WITH LINEAR TECHNOLOGY PARTS.</p>		IC NO. LTC4332	<p align="center">TITLE: DEMO CIRCUIT SCHEMATIC, SPI Extender Over Differential Link</p>		
<p>SKU NO. DC2799A</p>		PCA BOM: 700-DC2799A_REV03 PCA ASS'Y: 705-DC2799A_REV03	<p align="center">SCHEMATIC NO. AND REVISION: 710-DC2799A_REV03</p>		
SIZE: N/A	SCALE = NONE	DATE: Thursday, August 08, 2019	SHEET 1 OF 1		