

UNLESS OTHERWISE NOTED:
 1. ALL RESISTORS THIS PAGE ARE 1% 0603.
 2. ALL CAPACITORS THIS PAGE ARE 0603.

ASSEMBLY OPTIONS

LTC SKU#	SKT 1 (PAGE 3)
DC2278A-A	NOT STUFFED
DC2278A-B	STUFFED

CUSTOMER NOTICE
 LINEAR TECHNOLOGY HAS MADE A BEST EFFORT TO DESIGN A CIRCUIT THAT MEETS CUSTOMER-SUPPLIED SPECIFICATIONS; HOWEVER, IT REMAINS THE CUSTOMER'S RESPONSIBILITY TO VERIFY PROPER AND RELIABLE OPERATION IN THE ACTUAL APPLICATION. COMPONENT SUBSTITUTION AND PRINTED CIRCUIT BOARD LAYOUT MAY SIGNIFICANTLY AFFECT CIRCUIT PERFORMANCE OR RELIABILITY. CONTACT LINEAR TECHNOLOGY APPLICATIONS ENGINEERING FOR ASSISTANCE.

THIS CIRCUIT IS PROPRIETARY TO LINEAR TECHNOLOGY AND SUPPLIED FOR USE WITH LINEAR TECHNOLOGY PARTS.

APPROVALS

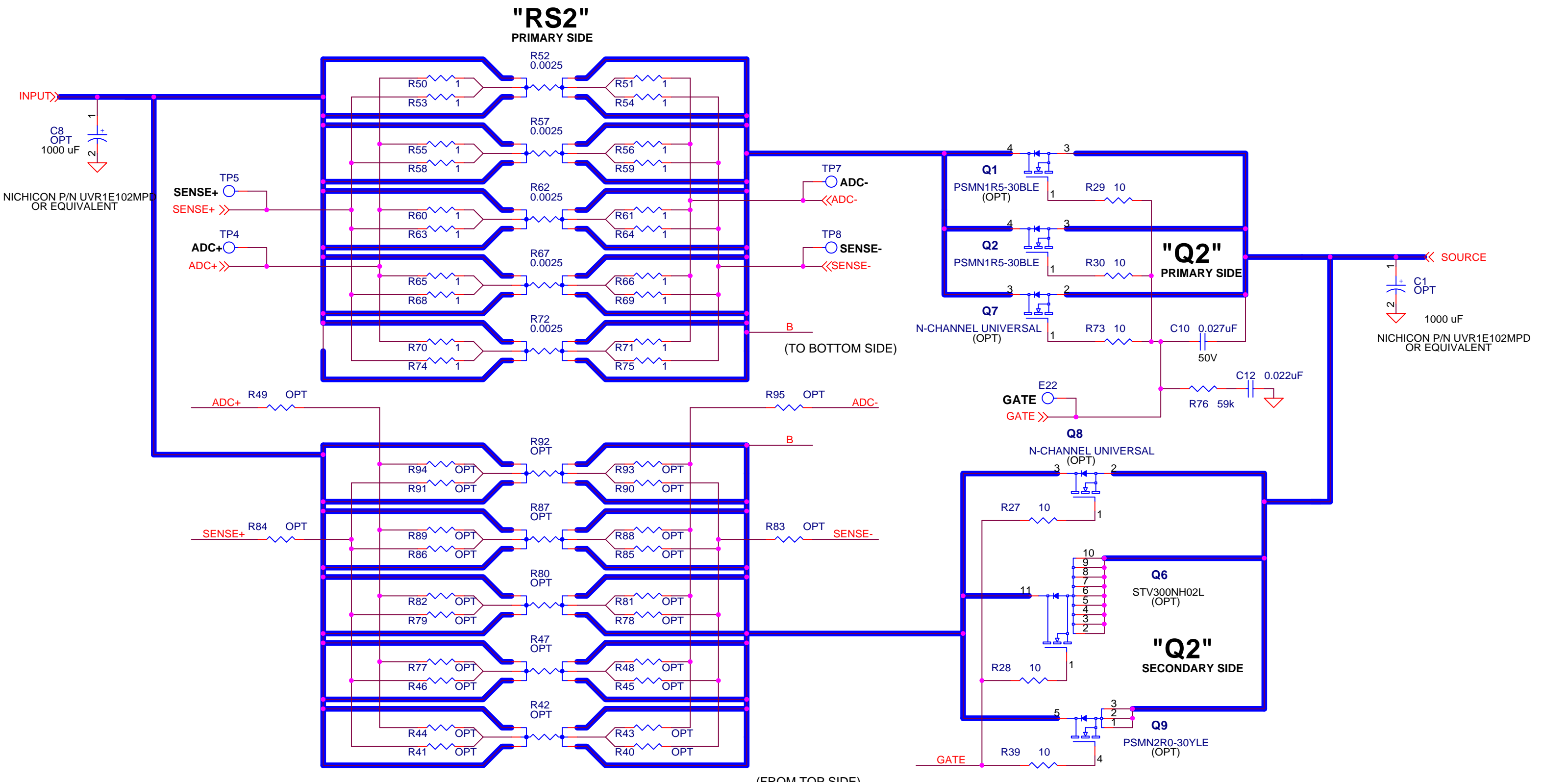
PCB DES.	M.HAWKINS
APP ENG.	BOB SMITH
IC NO.	LTC4281-UFD
SKU NO.	DC2278A-A DC2278A-B

LINEAR TECHNOLOGY

1630 McCarthy Blvd.
 Milpitas, CA 95035
 Phone: (408)432-1900 www.linear.com
 Fax: (408)434-0507
 LTC Confidential-For Customer Use Only

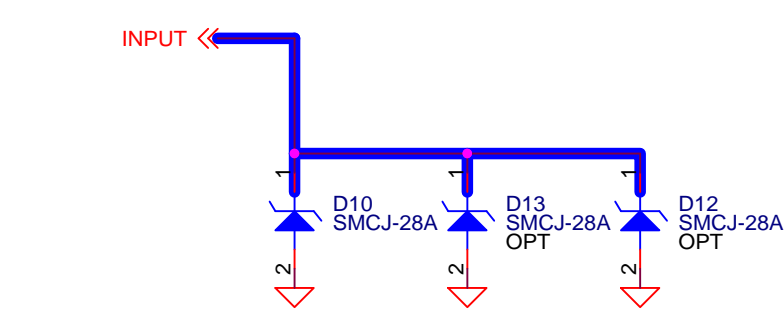
TITLE: DEMO CIRCUIT SCHEMATIC,
 HIGH CURRENT HOT SWAP CONTROLLER
 WITH I2C COMPATIBLE MONITORING AND EEPROM

SIZE: 11X17	PCA ASSY DWG: 705-DC2278A_REV02	SHEMATIC NO. AND REVISION: 710-DC2278A_REV02
SCALE = NONE	DATE: Tuesday, May 10, 2016	SHEET 1 OF 4



C8 OPT
1000 uF
NICHICON P/N UVR1E102MPD
OR EQUIVALENT

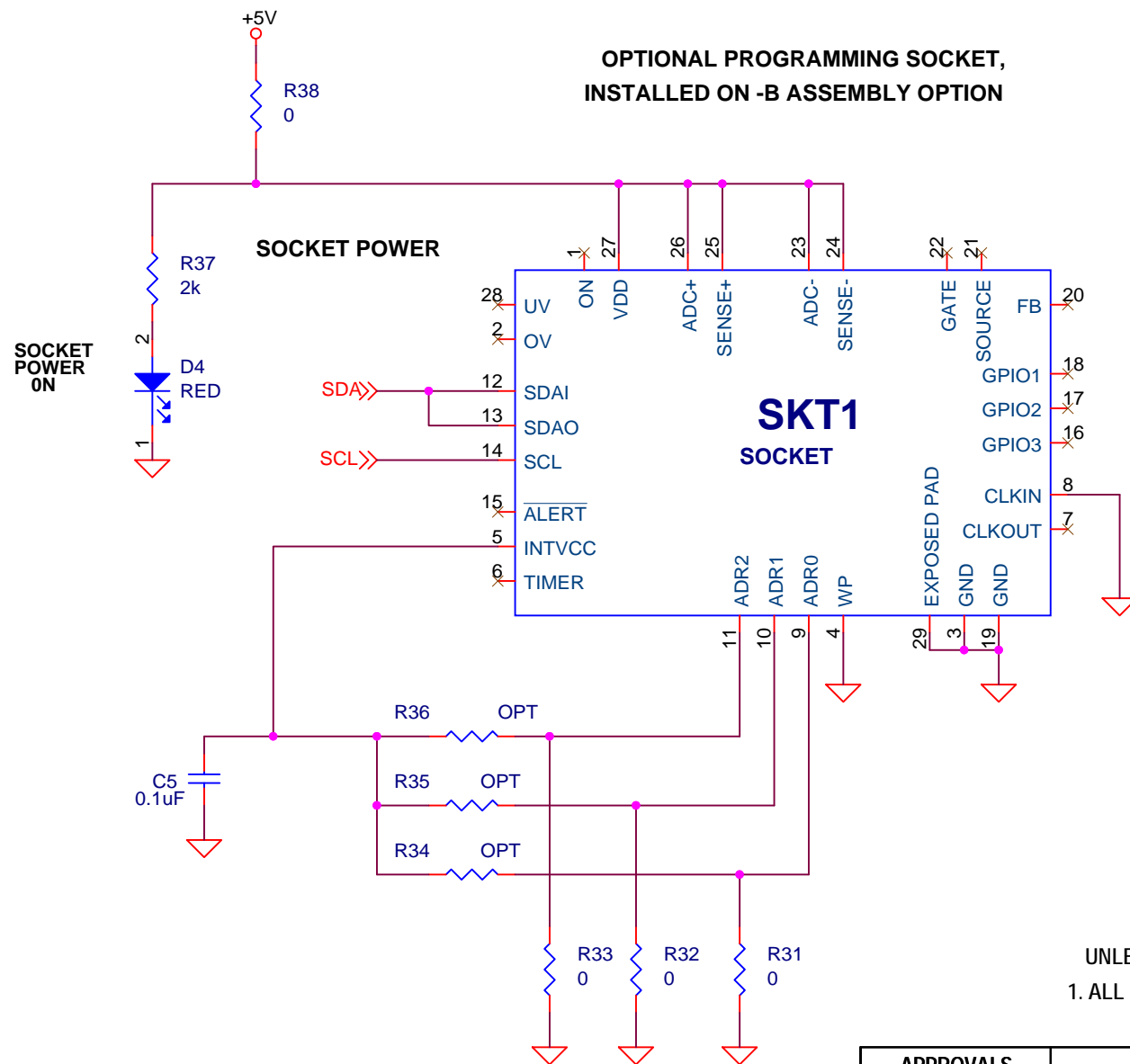
C1 OPT
1000 uF
NICHICON P/N UVR1E102MPD
OR EQUIVALENT




— = HIGH CURRENT CONNECTIONS

- UNLESS OTHERWISE NOTED:
1. ALL RESISTORS THIS PAGE ARE 1% 0402.
 2. ALL CAPACITORS THIS PAGE ARE 0603.
 3. ALL 0.003 OHM SENSE RESISTORS ARE SIZE 2512.


APPROVALS				1630 McCarthy Blvd. Milpitas, CA 95035 Phone: (408)432-1900 www.linear.com Fax: (408)434-0507 LTC Confidential-For Customer Use Only	
PCB DES.	M.HAWKINS			TITLE: DEMO CIRCUIT SCHEMATIC, HIGH CURRENT HOT SWAP CONTROLLER WITH I2C COMPATIBLE MONITORING AND EEPROM	
APP ENG.	BOB SMITH	IC NO. LTC4281-UFD		PCA ASSY DWG: 705-DC2278A_REV02	
SKU NO. DC2278A-A DC2278A-B		SIZE: N/A SCALE = NONE	DATE: Tuesday, May 10, 2016		SHEET 2 OF 4



APPROVALS		 1630 McCarthy Blvd. Milpitas, CA 95035 Phone: (408)432-1900 www.linear.com Fax: (408)434-0507 LTC Confidential-For Customer Use Only		
PCB DES.	M.HAWKINS			
APP ENG.	BOB SMITH			
IC NO. LTC4281-UFD		TITLE: DEMO CIRCUIT SCHEMATIC, HIGH CURRENT HOT SWAP CONTROLLER WITH I2C COMPATIBLE MONITORING AND EEPROM		
SKU NO. DC2278A-A DC2278A-B		SIZE: 8.5X11 SCALE = NONE	PCA ASS'Y DWG: 705-DC2278A_REV02	SCHEMATIC NO. AND REVISION: 710-DC2278A_REV 02
DATE: Tuesday, May 10, 2016			SHEET 3 OF 4	

PCA ADDITIONAL PARTS

MP1	BUMPER, RECESSED,#4 SCREW,BLACK	MP17	NUT, HEX,#4-40,SS 18-8
MP2	BUMPER, RECESSED,#4 SCREW,BLACK	MP18	NUT, HEX,#4-40,SS 18-8
MP3	BUMPER, RECESSED,#4 SCREW,BLACK	MP19	NUT, HEX,#4-40,SS 18-8
MP4	BUMPER, RECESSED,#4 SCREW,BLACK	MP20	NUT, HEX,#4-40,SS 18-8
MP5	WASHER,FLAT,#4,SS 18-8	MP21	SCREW, MACHINE,1/4-20 X 7/8,HEX WASHER HEAD, SS
MP6	WASHER,FLAT,#4,SS 18-8	MP22	SCREW, MACHINE,1/4-20 X 7/8,HEX WASHER HEAD, SS
MP7	WASHER,FLAT,#4,SS 18-8	MP23	WASHER, FLAT,SS 18-8,1/4 IN.
MP8	WASHER,FLAT,#4,SS 18-8	MP24	WASHER, FLAT,SS 18-8,1/4 IN.
MP9	SCREW, MACHINE,#4-40 X 1/2,PHILLIPS PH,SS	MP25	WASHER, FLAT,SS 18-8,1/4 IN.
MP10	SCREW, MACHINE,#4-40 X 1/2,PHILLIPS PH,SS	MP26	WASHER, FLAT,SS 18-8,1/4 IN.
MP11	SCREW, MACHINE,#4-40 X 1/2,PHILLIPS PH,SS	MP27	WASHER, LOCK,INT. TOOTH, 1/4 IN.,SS
MP12	SCREW, MACHINE,#4-40 X 1/2,PHILLIPS PH,SS	MP28	WASHER, LOCK,INT. TOOTH, 1/4 IN.,SS
MP13	WASHER, LOCK,INT. TOOTH,#4,SS	MP29	NUT, HEX,1/4-20,SS 18-8
MP14	WASHER, LOCK,INT. TOOTH,#4,SS	MP30	NUT, HEX,1/4-20,SS 18-8
MP15	WASHER, LOCK,INT. TOOTH,#4,SS	LB1	LABEL
MP16	WASHER, LOCK,INT. TOOTH,#4,SS	PCB1	PCB, DC2278A REV02

APPROVALS		 <p>1630 McCarthy Blvd. Milpitas, CA 95035 Phone: (408)432-1900 www.linear.com Fax: (408)434-0507 LTC Confidential-For Customer Use Only</p>		
PCB DES.	M.HAWKINS			
APP ENG.	BOB SMITH			
IC NO. LTC4281-UFD		TITLE: DEMO CIRCUIT SCHEMATIC, HIGH CURRENT HOT SWAP CONTROLLER WITH I2C COMPATIBLE MONITORING AND EEPROM		
SKU NO. DC2278A-A DC2278A-B		SIZE: 8.5X11 SCALE = NONE	PCA ASS'Y DWG: 705-DC2278A_REV02	SCHEMATIC NO. AND REVISION: 710-DC2278A_REV 02
DATE: Tuesday, May 10, 2016			SHEET 4 OF 4	