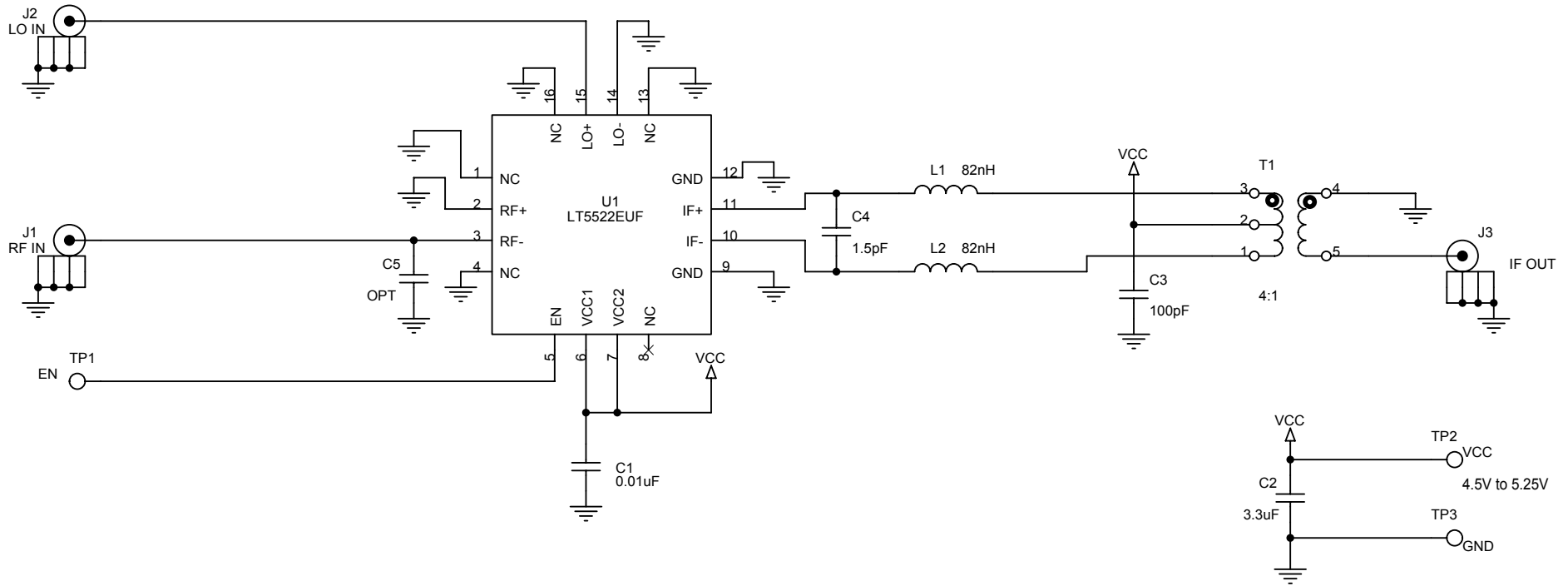


This circuit is proprietary to Linear Technology and supplied for use with Linear Technology parts.

**Customer Notice:** Linear Technology has made a best effort to design a circuit that meets customer-supplied specifications; however, it remains the customer's responsibility to verify proper and reliable operation in the actual application. Component substitution and printed circuit board layout may significantly affect circuit performance or reliability. Contact Linear Applications Engineering for assistance.

REVISION HISTORY

ECO	REV	DESCRIPTION	DATE	APPROVED
	1	PROTO	06/05/03	



CONTRACT NO.	
APPROVALS	DATE
DRAWN MEI	06/05/03
CHECKED	
APPROVED	
ENGINEER	
DESIGNER	
Wednesday, October 29, 2003	



1630 McCarthy Blvd.  
Milpitas, CA 95035  
Phone: (408)432-1900  
Fax: (408)434-0507

TITLE			
SCH, LT5522EUF, DOWN CONVERTING MIXER			
SIZE	CAGE CODE	DWG NO	REV
		DC689A	1
SCALE:	FILENAME: 689A-2.DSN	SHEET 1	OF 1