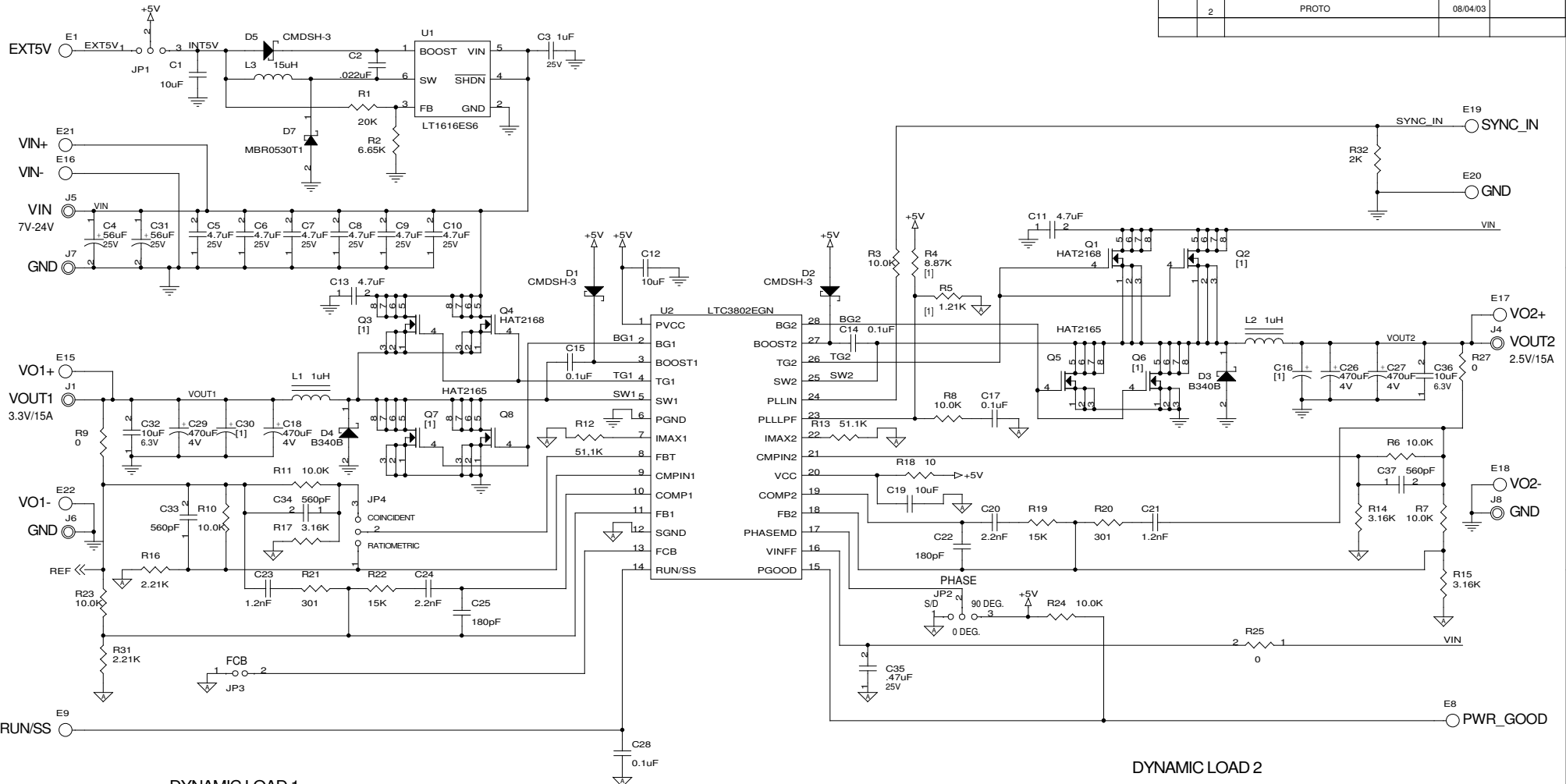
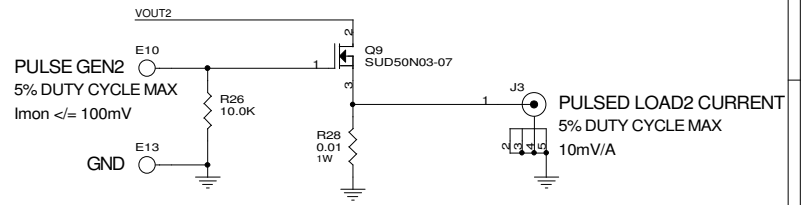
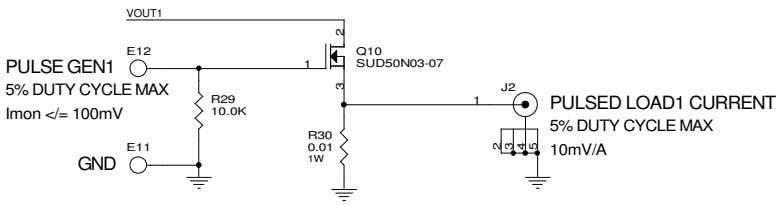


| REVISION HISTORY |     |             |          |          |
|------------------|-----|-------------|----------|----------|
| ECO              | REV | DESCRIPTION | DATE     | APPROVED |
|                  | 2   | PROTO       | 08/04/03 |          |



DYNAMIC LOAD 1

DYNAMIC LOAD 2



- NOTES: UNLESS OTHERWISE SPECIFIED,  
 [1] OPTION  
 2. ALTERNATE PART FOR Q1,Q2,Q3,Q4; S17860DP.  
 3. ALTERNATE PART FOR Q7,Q8,Q5,Q6; S17856DP.  
 4. ALTERNATE PART FOR L1,L2; PANASONIC ETQP6F1R18FA

|   |  |              |          |   |                      |
|---|--|--------------|----------|---|----------------------|
| UNLESS OTHERWISE SPECIFIED DIMENSIONS ARE IN INCHES TOLERANCE ON ANGLE ... 2 PLACES ... 3 PLACES ... INTERPRET DIM AND TOL PER ASME Y14.5M-1994 |  | CONTRACT NO. |          | <br>1630 McCarthy Blvd.<br>Milpitas, CA 95035<br>Phone: (408)521-1900<br>Fax: (408)534-0507 |                      |
| THIRD ANGLE PROJECTION  |  | APPROVALS    | DATE     |   |                      |
|   |  | DRAWN MEI    | 02/21/03 |   |                      |
| DO NOT SCALE DRAWING  |  | CHECKED      |          |   |                      |
|   |  | APPROVED     |          | TITLE SCH, LTC3802EGN, DUAL 15A HIGH FREQUENCY STEP-DOWN DC/DC CONVERTER                    |                      |
|   |  | ENGINEER     |          | SIZE  | CAGE CODE            |
|   |  | DESIGNER     |          | DWG NO  | DC653A               |
|   |  |              |          | SCALE: NONE   | FILENAME: 653A-2.DSN |
|   |  |              |          | SHEET   | 1 OF 1               |