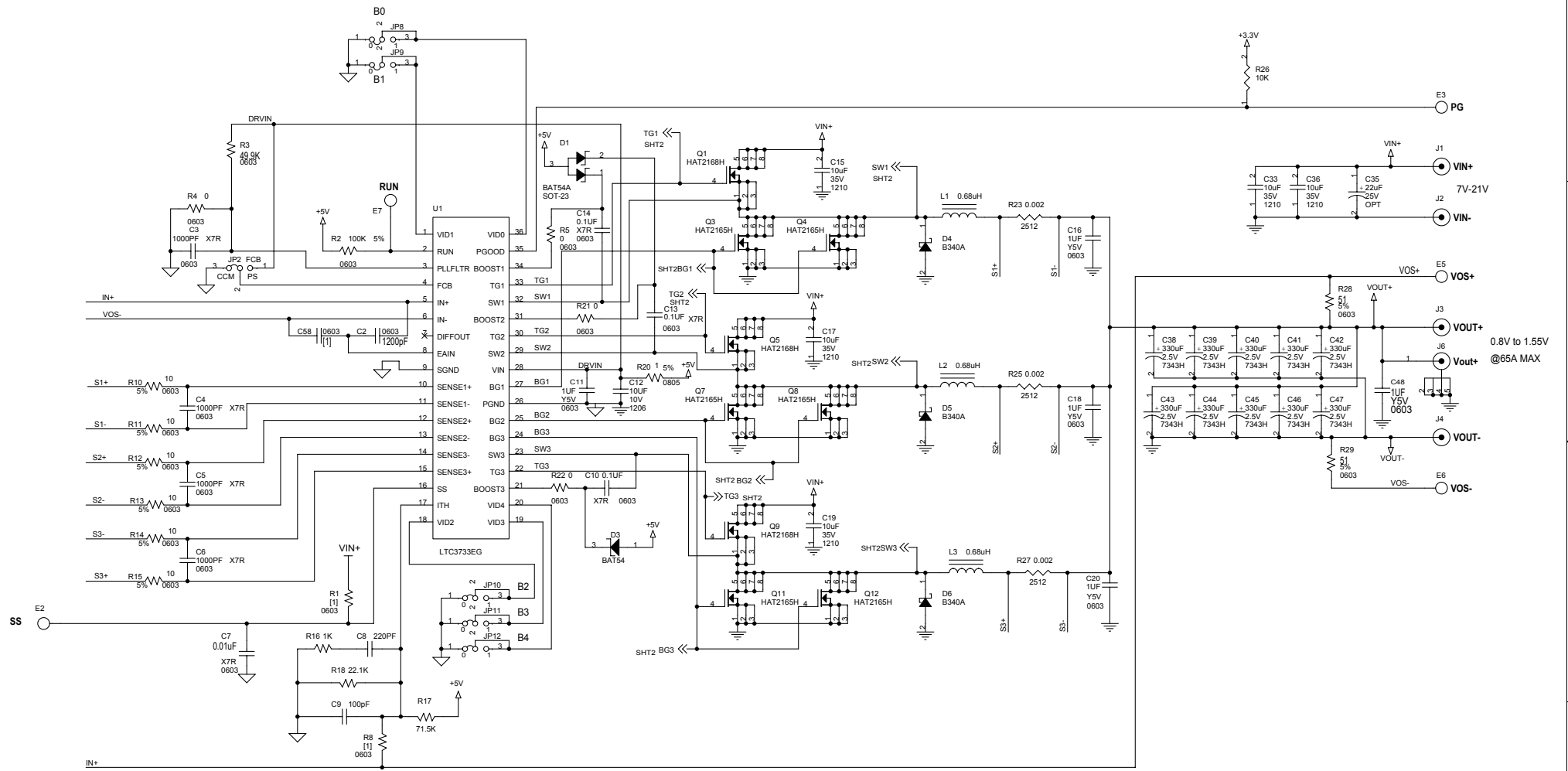


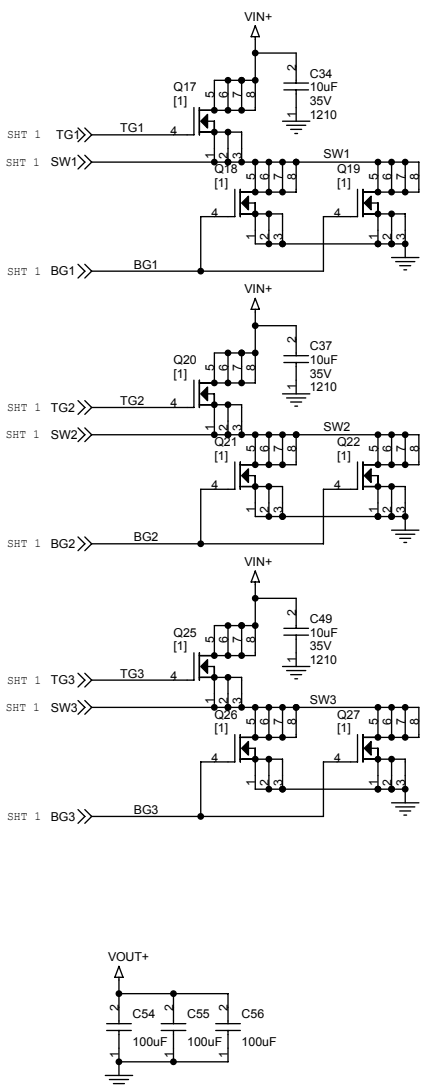
REVISION HISTORY				
ECO	REV	DESCRIPTION	DATE	APPROVED
	2	PROTO	04/21/03	



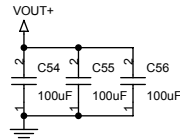
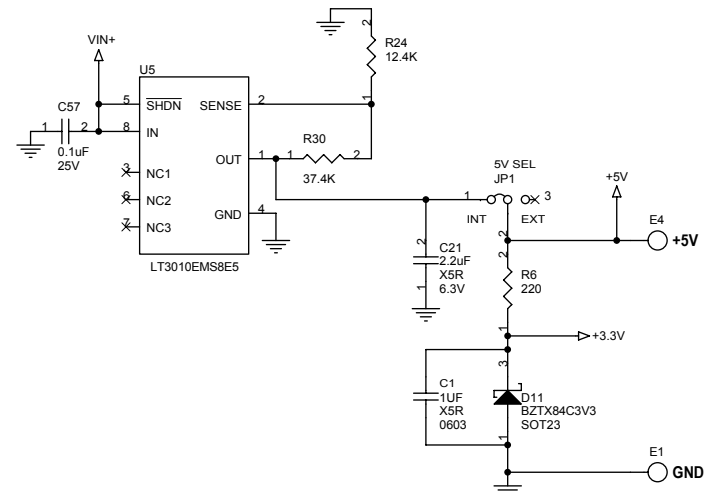
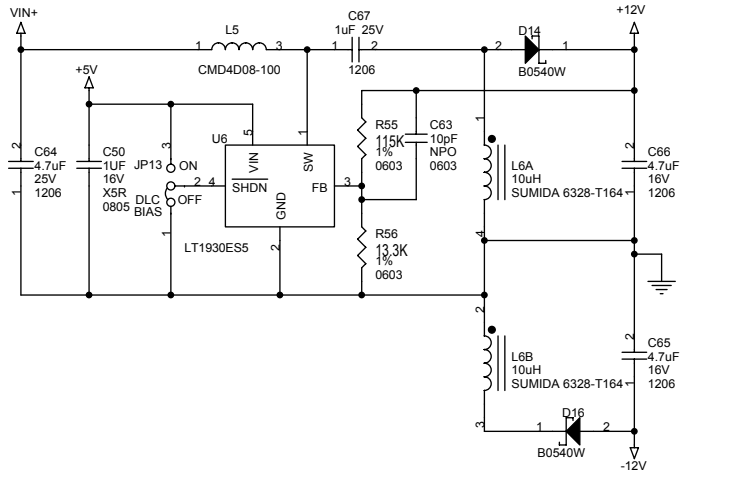
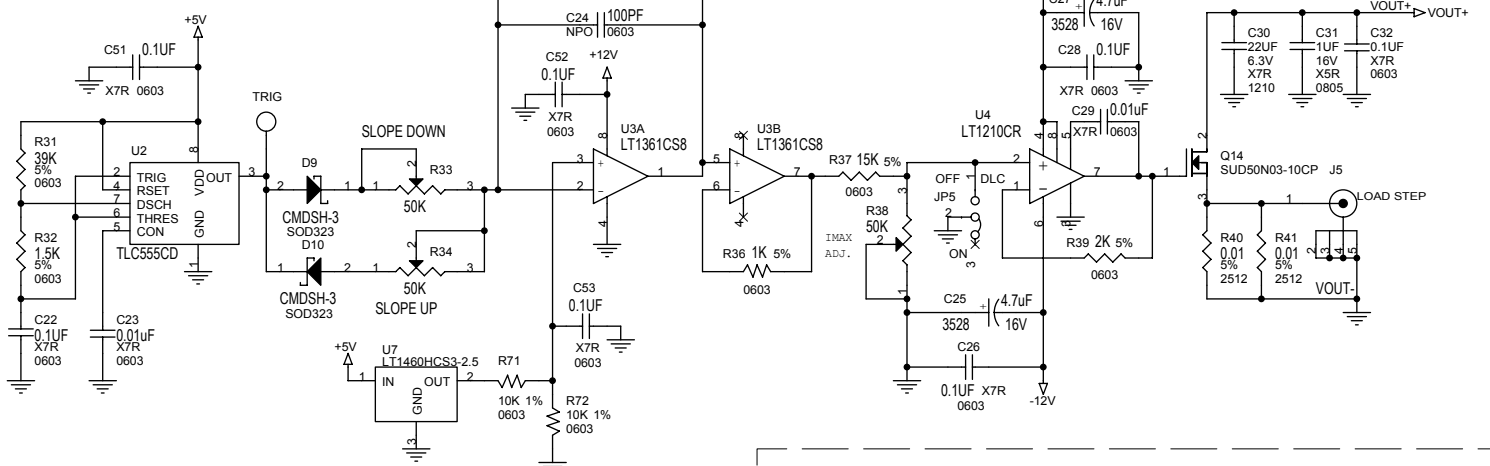
NOTES: UNLESS OTHERWISE SPECIFIED,
 [1] OPTIONAL. DNP = DO NOT POPULATE.

UNLESS OTHERWISE SPECIFIED DIMENSIONS ARE IN INCHES TOLERANCE ON ANGLE - - - 2 PLACES - - - 3 PLACES - - - INTERPRET DIM AND TOL PER ASME Y14.5M - 1994		CONTRACT NO.			1630 McCarthy Blvd. Milpitas, CA 95035 Phone: (408)432-1900 Fax: (408)434-0507	
THIRD ANGLE PROJECTION		APPROVALS	DATE		TITLE	REV
		CHECKED	02/11/03	SCH, LTC3733CG 3 PHASE, AMD HAMMER PROCESSOR POWER SUPPLY	2	
DO NOT SCALE DRAWING		APPROVED		SIZE	CAGE CODE	
		ENGINEER		DWG NO	DC648A	
		DESIGNER		SCALE	FILENAME	
		Thursday, July 10, 2003		SCALENONE	FILENAME648A-2.SCH	
				SHEET	1 OF 2	

REVISION HISTORY				
ECO	REV	DESCRIPTION	DATE	APPROVED
	2	PROTO	04/21/03	

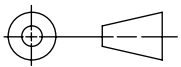


DYNAMIC LOAD CIRCUIT



Note:
[1] OPTIONAL, DNP.

UNLESS OTHERWISE SPECIFIED DIMENSIONS ARE IN INCHES TOLERANCE ON ANGLE --- 2 PLACES --- 3 PLACES --- INTERPRET DIM AND TOL PER ASME Y14.5M-1994		CONTRACT NO.				1630 McCarthy Blvd. Milpitas, CA 95035 Phone: (408)432-1900 Fax: (408)434-0507	
APPROVALS	DATE	DRAWN MEI				02/11/03	
THIRD ANGLE PROJECTION		CHECKED		TITLE			
APPROVED		ENGINEER		SCH, LTC3733CG 3 PHASE, AMD HAMMER PROCESSOR POWER SUPPLY			
DESIGNER		DESIGNER		SIZE	CAGE CODE	DWG NO	REV
DO NOT SCALE DRAWING		Thursday, July 10, 2003		SCALE	FILENAME	DC648A	2
				NONE	648A-2.SCH	SHEET	2 OF 2



Item	Qty	Ref	Desc	Manufacturer / Part #
1	1	C1	CAP, X5R 1uF 6.3V 20% 0603	AVX 06036D105MAT
2	1	C2	CAP, X7R 1200pF 100V 10% 0603	AVX 06031C122KAT2A
3	4	C3,C4,C5,C6	CAP, X7R 1000pF 50V 10% 0603	AVX 06035C102KAT1A
4	3	C7,C23,C29	CAP, X7R 0.01uF 16V 10% 0603	AVX 0603YC103KAT1A
5	1	C8	CAP, X7R 220pF 50V 10% 0603	AVX 06035C221KAT
6	1	C9	CAP, NPO 100pF 25V 10% 0603	AVX 06033A101KAT2A
7	10	C10,C13,C14,C22,C26,C28,C32,C51, C52,C53	CAP, X7R 0.1uF 16V 10% 0603	AVX 0603YC104KAT1A
8	5	C11,C16,C18,C20,C48	CAP, Y5V 1uF 10V 80% 0603	AVX 0603ZG105ZAT
9	1	C12	CAP, Y5V 10uF 10V 20% 1206	TAIYO YUDEN LMK316F106ZLT
10	8	C15,C17,C19,C33,C34,C36,C37,C49	CAP, Y5V 10uF 35V 20% 1210	MURATA GRM235Y5V106Z35
11	1	C21	CAP, X5R 2.2uF 6.3V 10% 0603	AVX 06036D225KAT
12	1	C24	CAP, NPO 100pF 50V 10% 0603	AVX 06035A101KAT1A
13	2	C25,C27	CAP, TANT 4.7uF 16V 20% 3528	AVX TAJB475M016R
14	1	C30	CAP, X5R 22uF 6.3V 20% 1210	TAIYO YUDEN JMK325BJ226MM-T
15	2	C50,C31	CAP, X5R 1uF 16V 20% 0805	TAIYO YUDEN EMK212BJ105MG-T
16	1	C35	CAP, TANT 22uF 25V 20% OSCONSVF8	SANYO OSCON 25SVP22M
17	10	C38-C47	CAP, ELEC 330uF 2.5V 20% 7343H	SANYO 2R5TPE330M9
18	3	C54,C55,C56	CAP, 100uF X5R 6.3V 20% 1812	TAIYO YUDEN JMK432BJ107MU-T
19	1	C57	CAP, X7R 0.1uF 25V 20% 0805	AVX 08053C104MAT1A
20	0	R1,R8,C58	DO NOT STUFF	TBD
21	1	C63	CAP, NPO 10pF 50V 5% 0603	AVX 06035A100JAT2A
22	1	C64	CAP, 4.7uF 25V +80%-20% 1206	TAIYO YUDEN TMK316F475ZG-T
23	2	C65,C66	CAP, X5R 4.7uF 16V 20% 1206	TAIYO YUDEN EMK316BJ475ML-T
24	1	C67	CAP, X5R 1uF 16V 20% 1206	TAIYO YUDEN EMK316BJ105MF
25	1	D1	DIODE, BARRIER DOUBLE DIODES BAT54A SOT-23	DIODES INC. BAT54A
26	1	D3	DIODE, BAT54 SCHOTTKY SOT23	DIODES INC. BAT54
27	3	D4,D5,D6	DIODE, B340A SCHOTTKY BARRIER RECTIFIER	DIODES INC. B340A
28	1	D8	DIODE, MMBZ5231BLT1 ZENER SOT23	DIODES INC. MMB25231B-7
29	2	D10,D9	DIODE, CMDSH-3 SOD323	CENTRAL CMDSH-3
30	1	D11	DIODES, BZX84C3V3 ZENER 350mW SOT-23	DIODES INC. BZX84C3V3
31	2	D14,D16	DIODE, SCHOTTKY RECTIFIER 0.5A	DIODES INC. B0540W
32	8	E1-E7,TRIG	TURRET, .094	MILL-MAX, 2501-2
33	9	JP1,JP2,JP5,JP8-JP13	HEADER, 3 PINS 2mm	COMM 2802S-03G2
34	4	J1,J2,J3,J4	STUD, TEST PIN	PEM KFH-032-10
35	2	J6,J5	CONN, BNC,5 PINS	CONNEX 112404
36	3	L1,L2,L3	INDUCTOR, 0.68uH	SUMIDA CEP125-0R6NC-D
37	1	L5	IND, 10uH	SUMIDA CMD4D08-100
38	1	L6	IND, 10uH	SUMIDA 6328-T064
39	3	Q1,Q5,Q9	XSTR, HAT2168H	RENESAS HAT2168H
40	6	Q3,Q4,Q7,Q8,Q11,Q12	XSTR, HAT2165H	RENESAS HAT2165H

41	1	Q14	XSTR, SUD50N03-10CP MOSFET	SILICONIX SUD50N03-10CP
42	0	Q17-Q22,Q25,Q26,Q27	XSTR, N-CHANNEL POWER MOSFET POWERPACK 8	OPTION
43	1	R2	RES, 100K 5% 1/16W 0603	AAC CR16-104JM
44	1	R3	RES, 49.9K OHMS 1% 1/16W 0603	AAC CR16-4992FM
45	4	R4,R5,R21,R22	RES, 0 OHM JUMPER 1/16W 0603	ACC CR06-000M
46	1	R6	RES, 220 OHMS 5% 1/16W 0603	AAC CR16-221JM
47	6	R10,R11,R12,R13,R14,R15	RES, 10 OHM 5% 1/16W 0603	AAC CR16-100JM
48	1	R17	RES, 71.5K OHMS 1% 1/16W 0603	AAC CR16-7152FM
49	1	R18	RES,3 22.1K OHMS 1% 1/16W 060	AAC CR16-2212FM
50	1	R20	RES, 1 OHM 5% 1/16W 0805	AAC CR10-1R0JM
51	3	R23,R25,R27	RES, 0.002 OHM 1% 1W 2512	PANASONIC ERJM1WTF2M0U
52	1	R24	RES, 12.4K OHMS 1% 1/16W 0603	AAC CR16-1242FM
53	1	R26	RES, 10K OHMS 5% 1/16W 0603	CR16-103JM
54	2	R29,R28	RES, 51 OHM 5% 1/16W 0603	AAC CR16-510JM
55	1	R30	RES, 37.4K OHMS 1% 1/16W 0603	AAC CR16-3742FM
56	1	R31	RES, 39K OHMS 5% 1/16W 0603	AAC CR16-393JM
57	1	R32	RES, 1.5K OHMS 5% 1/16W 0603	AAC CR16-152JM
58	3	R33,R34,R38	RES, 50K OHMS VARIABLE 1 TURN G3A	BOURNS 3313J-1-503E
59	2	R16,R36	RES, 1K OHMS 5% 1/16W 0603	AAC CR16-102JM
60	1	R37	RES, 15K OHMS 5% 1/16W 0603	AAC CR16-153JM
61	1	R39	RES, 2K OHMS 5% 1/16W 0603	AAC CR16-202JM
62	2	R41,R40	RES, 0.01 OHM 5% 1W 2512	IRC LRF2512-01-R010-J
63	1	R55	RES, 115K OHMS 1% 1/16W 0603	AAC CR16-1153FM
64	1	R56	RES, 13.3K OHMS 1% 1/16W 0603	AAC CR16-1332FM
65	2	R71,R72	RES, 10K OHMS 1% 1/16W 0603	AAC CR16-1002FM
66	1	U1	IC,LTC3733EG	LINEAR TECH LTC3733EG
67	1	U2	IC,TLC555CD SO8	TEXAS INST. TLC555CD
68	1	U3	IC,LT1361CS8 SO8	LT1361CS8
69	1	U4	IC,LT1210CR DDPAK-R-7P	LT1210CR
70	1	U5	IC, LT3010EMS83	LINEAR TECH LT3010EMS8E
71	1	U6	IC, LT1930ES5 STEP-UP DC/DC CONVERTER	LINEAR TECH. LT1930ES5
72	1	U7	IC, LT1460HCS3-2.5MICROPOWER REFERENCE	LINEAR TECH LT1460HCS3-2.5
73	4	FOR MTGS AT 4 CORNERS	SCREW, 4-40,0.25" LONG	ANY
74	4	FOR MTGS AT 4 CORNERS	STANDOFF, NYLON HEX 4-40 0.5" LONG	MICROPLASTICS 14HTSP003
75	9	JP1,JP2,JP5,JP8-JP13	SHUNT, 2 PIN 2mm	COMM CCIJ2mm-138-G
76	8	J1,J2,J3,J4	NUT, BRASS 10-32	ANY #10-32
77	4	J1,J2,J3,J4	RING, LUG #10	KEYSTONE #10
78	4	J1,J2,J3,J4	WASHER, TIN PLATED BRASS	ANY #10