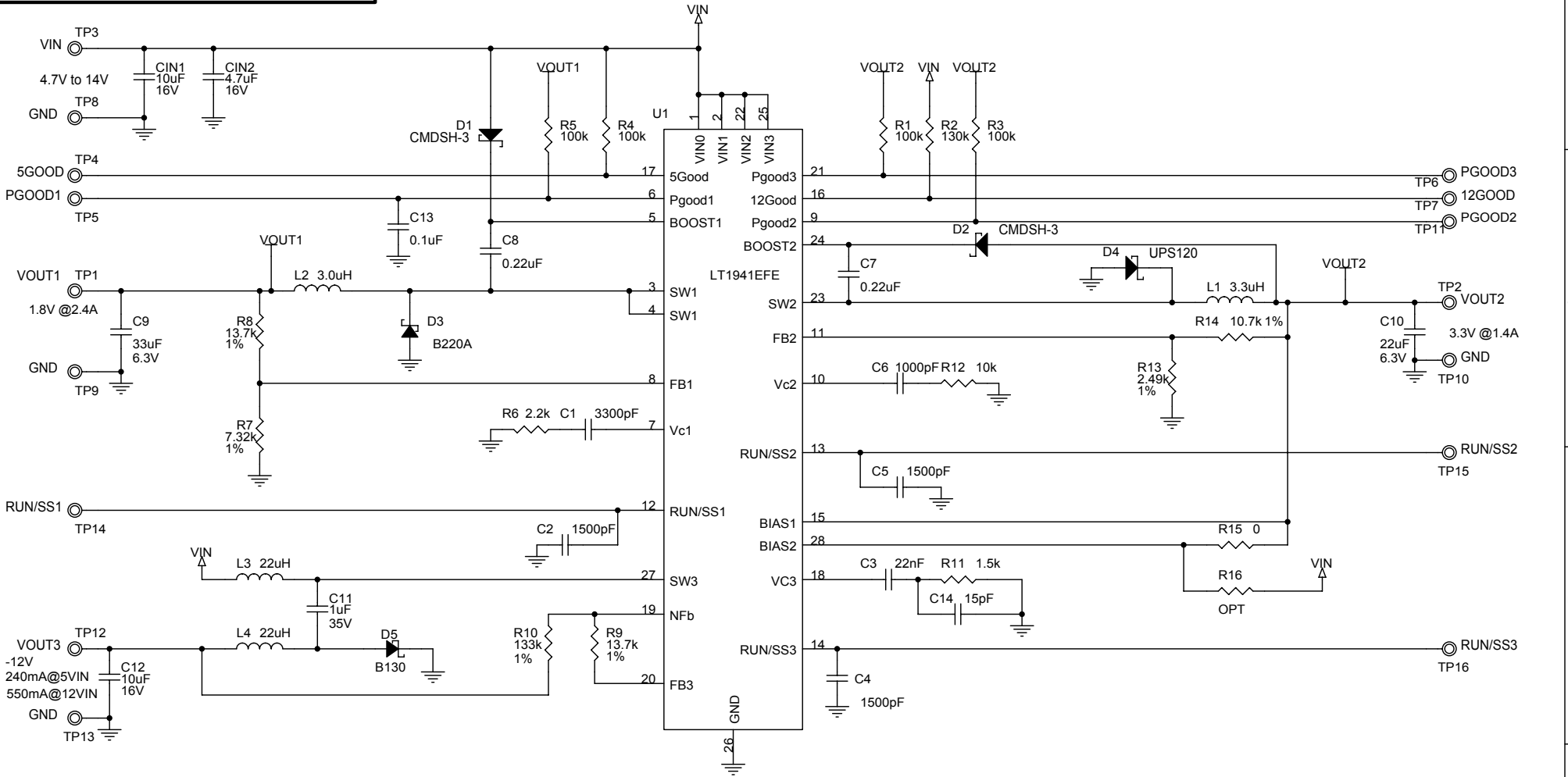


This circuit is proprietary to Linear Technology and supplied for use with Linear Technology parts.
Customer Notice: Linear Technology has made a best effort to design a circuit that meets customer-supplied specifications; however, it remains the customer's responsibility to verify proper and reliable operation in the actual application. Component substitution and printed circuit board layout may significantly affect circuit performance or reliability. Contact Linear Applications Engineering for assistance.

REVISION HISTORY				
ECO	REV	DESCRIPTION	DATE	APPROVED
	4	PROTO	02/23/04	



UNLESS OTHERWISE SPECIFIED DIMENSIONS ARE IN INCHES TOLERANCE ON ANGLE --- 2 PLACES --- 3 PLACES --- INTERPRET DIM AND TOL PER ASME Y14.5M -1994	CONTRACT NO.		1630 McCarthy Blvd. Milpitas, CA 95035 Phone: (408)432-1900 Fax: (408)434-0507
	APPROVALS	DATE	
	CHECKED		
	APPROVED		
THIRD ANGLE PROJECTION	DESIGNER		TITLE SCH, LT1941EFE 1.1MHz TRIPLE OUTPUT DC/DC CONVERTER
	ENGINEER		
DO NOT SCALE DRAWING	Monday, April 19, 2004	SIZE: Custom CAGE CODE: DWG NO: DC621A	REV: 4 SCALE: NONE FILENAME: 621A-4.DSN SHEET: 1 OF 1