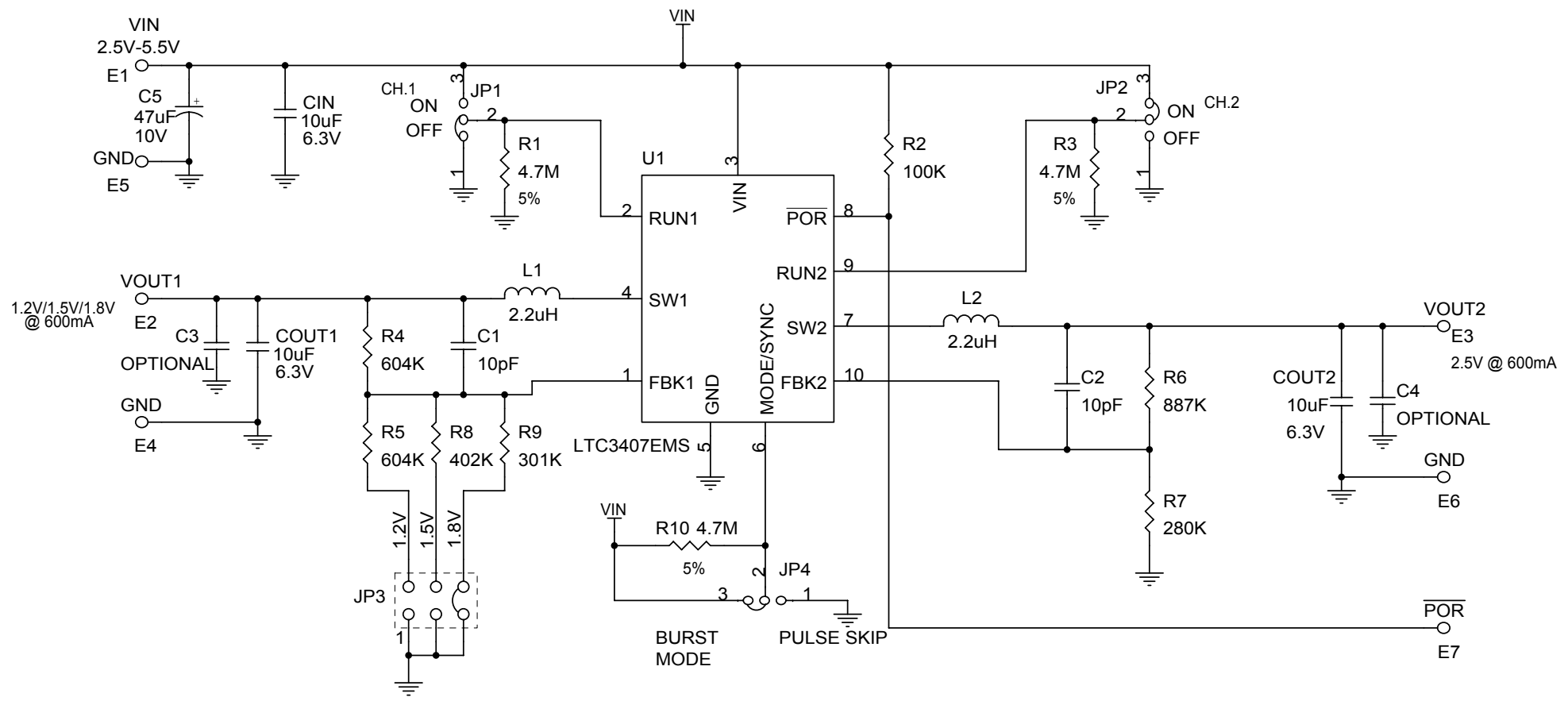



REVISION HISTORY				
ECO	REV	DESCRIPTION	DATE	APPROVED
	3	PROTO	02/19/03	



CONTRACT NO.				1630 McCarthy Blvd. Milpitas, CA 95035 Phone: (408)432-1900 Fax: (408)434-0507	
APPROVALS	DATE			TITLE	
DRAWN MEI	02/19/03	SCH, LTC3407EMS DUAL DC/DC CONVERTER			
CHECKED		SIZE	CAGE CODE	DWG NO	REV
APPROVED				DC568A	3
ENGINEER		SCALE:		FILENAME: 568A-3.DSN	SHEET 1 OF 1
DESIGNER		Wednesday, June 11, 2003			