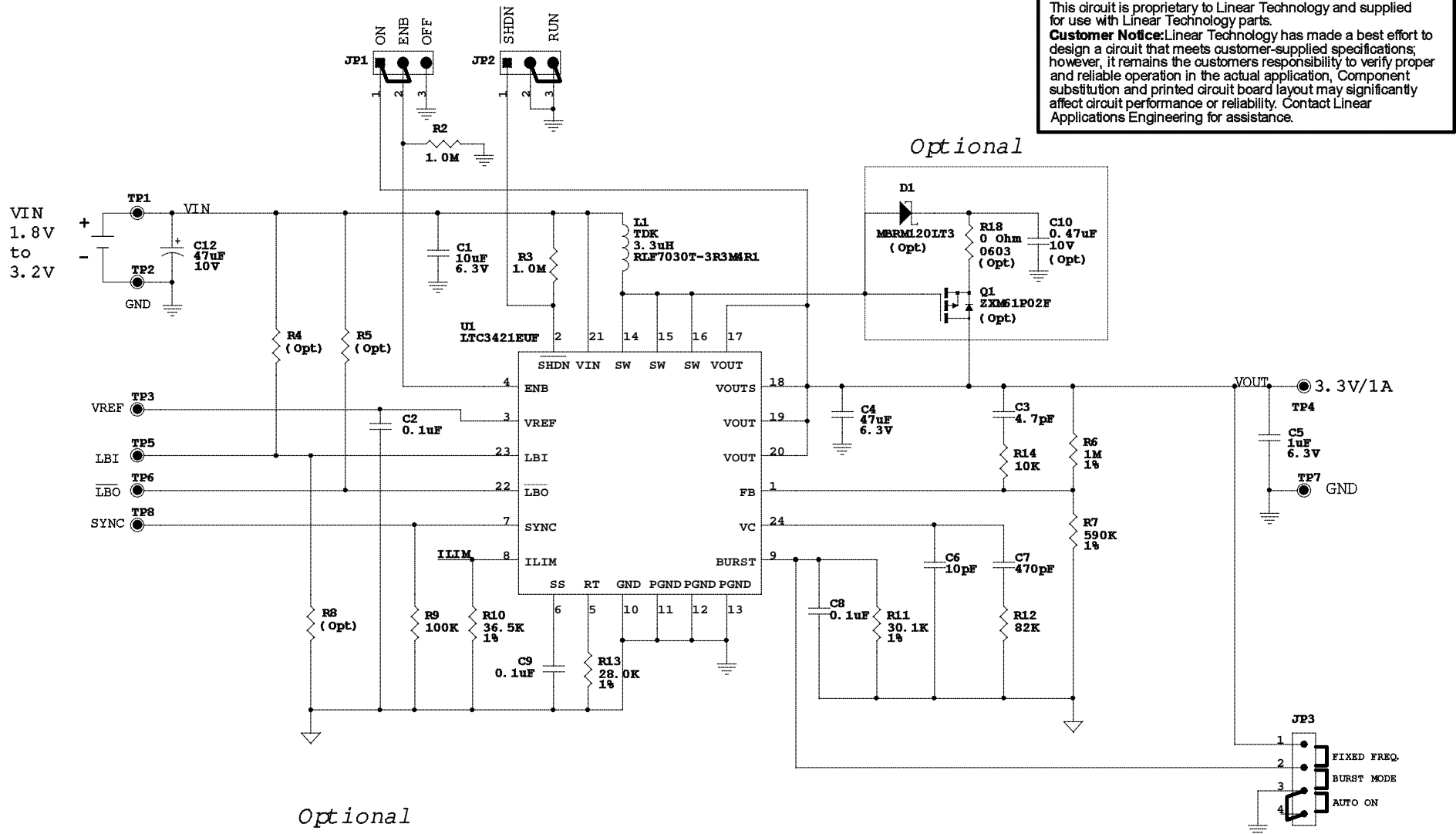
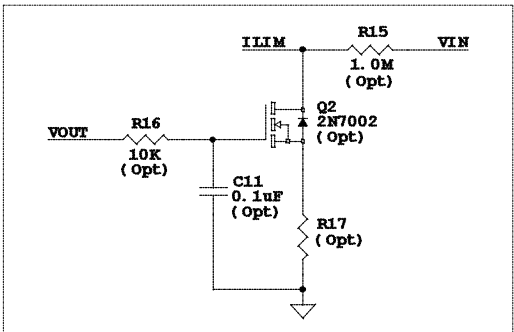


This circuit is proprietary to Linear Technology and supplied for use with Linear Technology parts.  
**Customer Notice:** Linear Technology has made a best effort to design a circuit that meets customer-supplied specifications; however, it remains the customers responsibility to verify proper and reliable operation in the actual application, Component substitution and printed circuit board layout may significantly affect circuit performance or reliability. Contact Linear Applications Engineering for assistance.



*Optional*

*Optional*



**NOTE:**

- 1. D1, Q1, R18, C10 are optional for 3.3V output. They can be installed to maximize efficiency.

LTC3421EUF		
Linear Technology Corp. 1630 McCarthy Blvd., Milpitas, CA 95035-7417 Phone: (408)432-1900 Fax: (408)434-0507		
Title HIGH EFFICIENCY SYNCHRONOUS BOOST CONVERTER		
Size	Document Number Demo Circuit 565	Rev A
Date:	Friday, October 22, 2004	Sheet 1 of 1