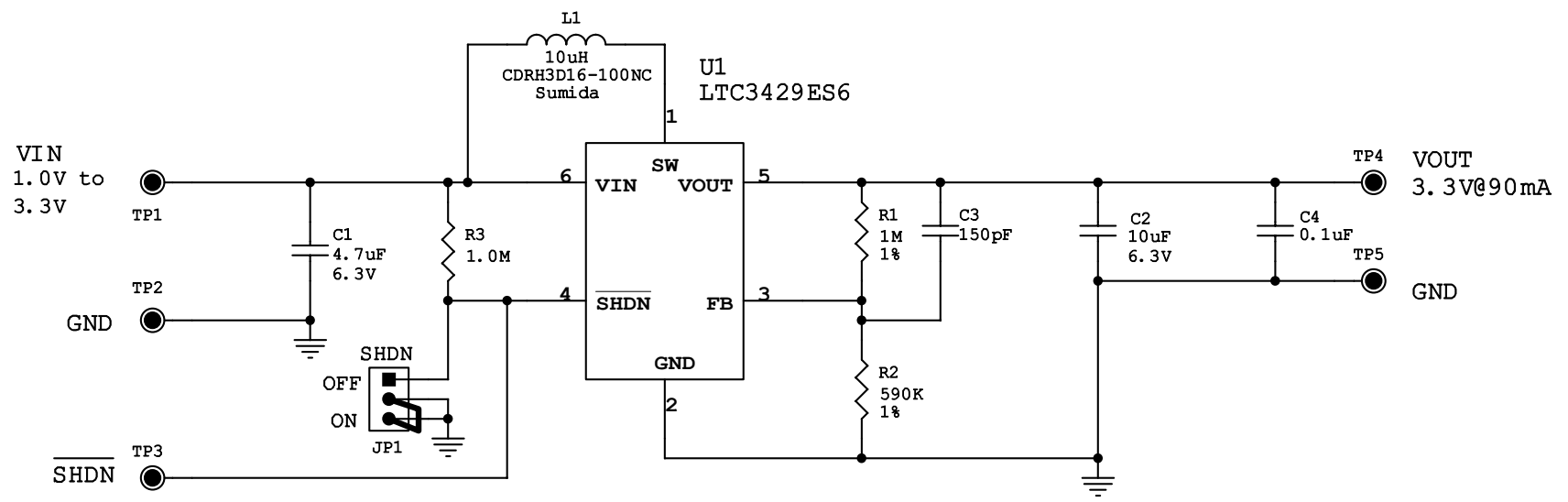


This circuit is proprietary to Linear Technology and supplied for use with Linear Technology parts.  
**Customer Notice:** Linear Technology has made a best effort to design a circuit that meets customer-supplied specifications; however, it remains the customers responsibility to verify proper and reliable operation in the actual application, Component substitution and printed circuit board layout may significantly affect circuit performance or reliability. Contact Linear Applications Engineering for assistance.



VERSION TABLE

ASSEMBLY TYPE	U1
DC559A-A	LTC3429ES6
DC559A-B	LTC3429BES6

1630 McCarthy Blvd., Milpitas, CA  
**Linear Technology Corp.** 95035-7487  
 Phone: (408)432-1900 Fax: (408)434-0507

Title  
 LTC3429, 500kHz Synchronous Boost Converter

Size	Document Number	Rev
	Demo Circuit 559A-A	0

Date: Tuesday, March 16, 2004 Sheet 1 of 1