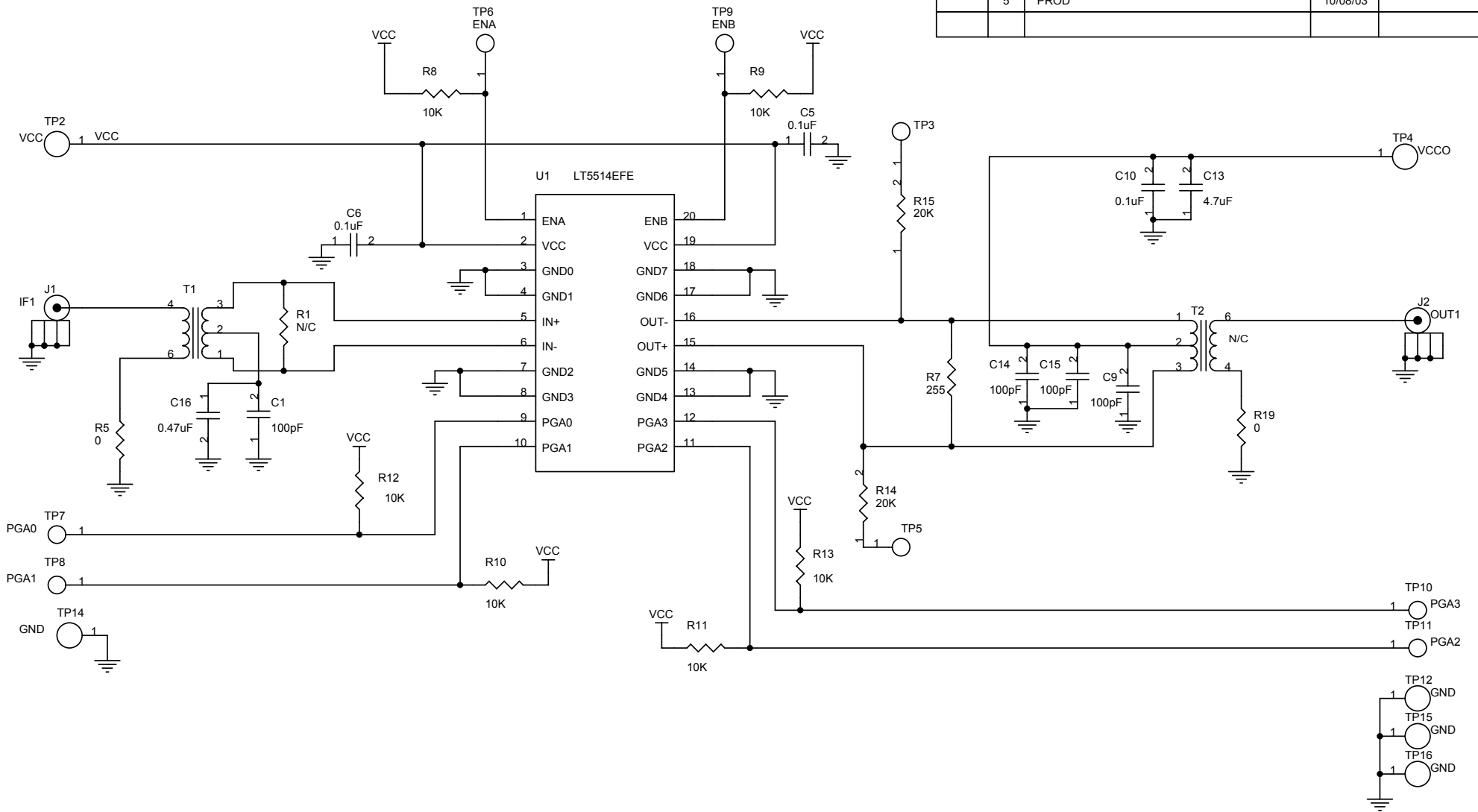


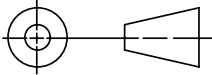
REVISION HISTORY				
ECO	REV	DESCRIPTION	DATE	APPROVED
	5	PROD	10/08/03	




- NOTES: UNLESS OTHERWISE SPECIFIED,
1. ALL SWITCHES OFF (DOWN) FOR MAX GAIN.
  2. ALL OTHER R & C ARE 10% OR BETTER.
  3. ALL C ARE RATED 16V OR BETTER.

This circuit is proprietary to Linear Technology and supplied for use with Linear Technology parts.

**Customer Notice:** Linear Technology has made a best effort to design a circuit that meets customer-supplied specifications; however, it remains the customer's responsibility to verify proper and reliable operation in the actual application. Component substitution and printed circuit board layout may significantly affect circuit performance or reliability. Contact Linear Applications Engineering for assistance.

UNLESS OTHERWISE SPECIFIED DIMENSIONS ARE IN INCHES TOLERANCE ON ANGLE --- 2 PLACES --- 3 PLACES --- INTERPRET DIM AND TOL PER ASME Y14.5M -1994    DO NOT SCALE DRAWING	CONTRACT NO.	
	APPROVALS	DATE
	DRAWN MEI	06-24-02
	CHECKED	
	APPROVED	
	ENGINEER	
	DESIGNER	
	Monday, April 05, 2004	

		1630 McCarthy Blvd. Milpitas, CA 95035 Phone: (408)432-1900 Fax: (408)434-0507	
		TITLE SCH, LT5514EFE IF AMP/ADC DRIVER	
SIZE	CAGE CODE	DWG NO	REV
		DC550A	5
SCALE NONE	FILENAME 550A-5.DSN	SHEET 1	OF 1