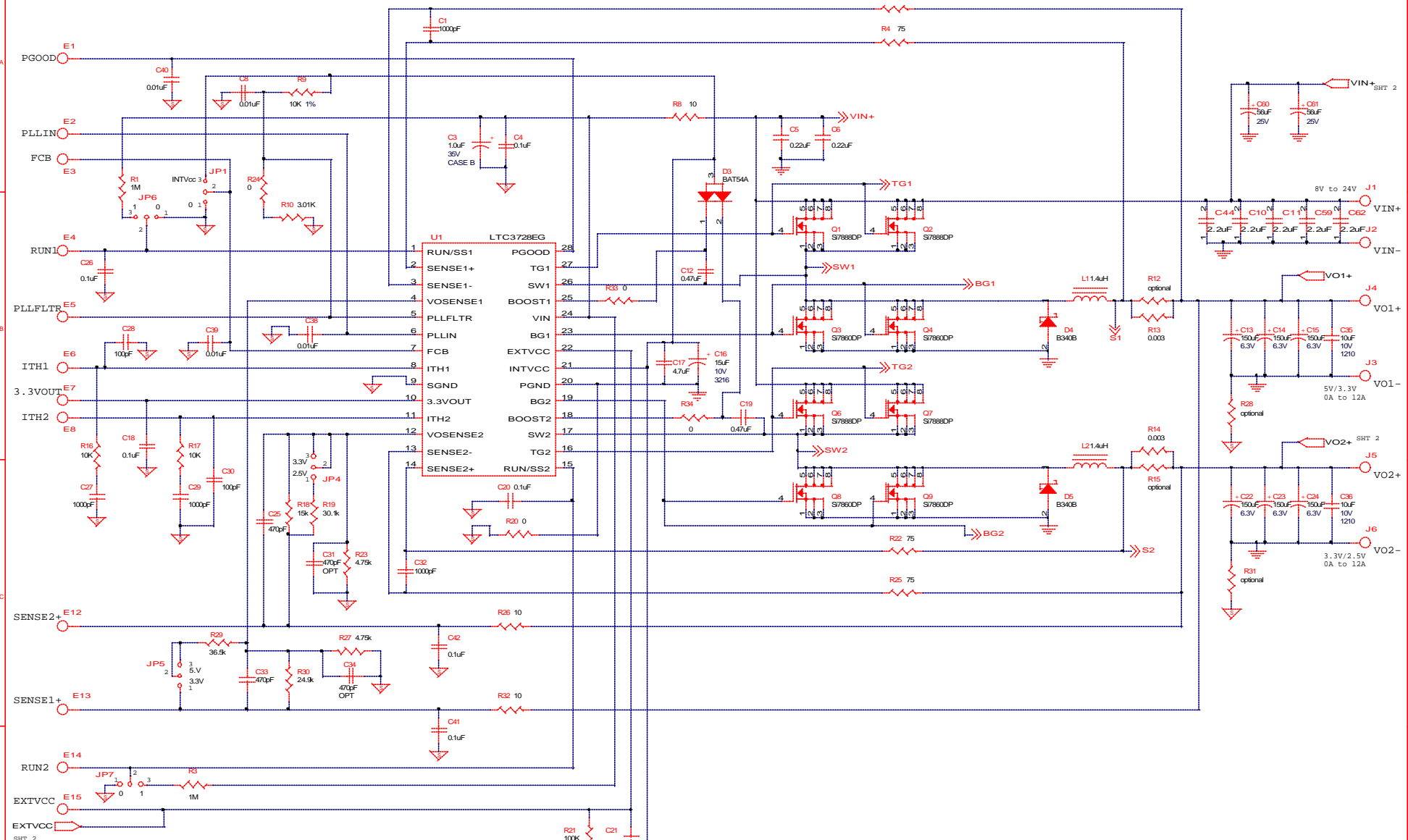
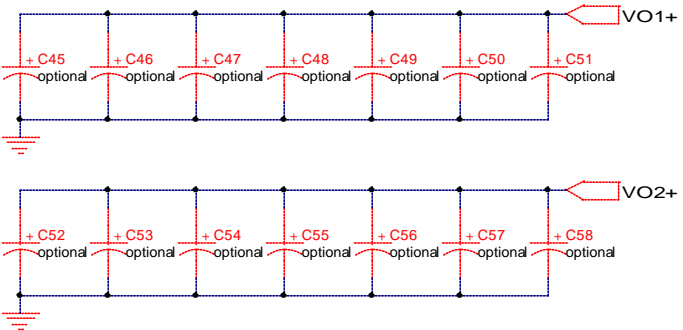
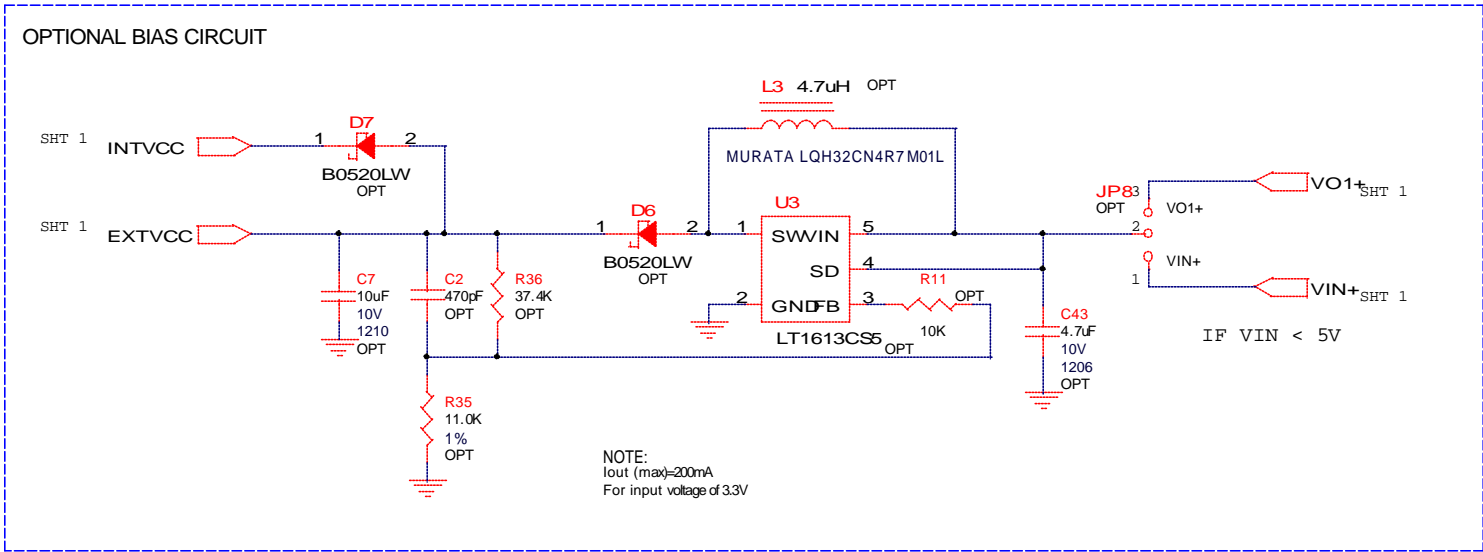



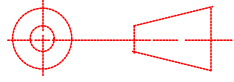
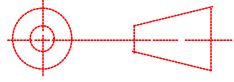
REVISION HISTORY				
ECD	REV	DESCRIPTION	DATE	APPROVED
	4	PROTO	01/06/03	



UNLESS OTHERWISE SPECIFIED DIMENSIONS ARE IN INCHES TOLERANCE ON ANGLE ... 2 PLACES ... 3 PLACES ... INTERPRET DIM AND TOL PER ASME Y14.5M -1994	CONTRACT NO. _____				1630 McCarthy Bld Milpitas, CA 95035 Phone: (408)432-1500 Fax: (408)434-6507	
	APPROVALS DRAWN: MEI CHECKED: _____ APPROVED: _____ ENGINEER: _____ DESIGNER: _____	DATE 06-10-02				
	TITLE: SCH, LTC3728EG, DUAL 2-PHASE SYNCHRONOUS STEP-DOWN REGULATOR			SIZE: Custom CAGE CODE: _____	DWG NO: DCS42A	REV: 4
	DO NOT SCALE DRAWING			Monday, January 06, 2003	SCALE: NONE	FILENAME: 542A-4.DSN SHEET: 1 OF 2

REVISION HISTORY				
ECO	REV	DESCRIPTION	DATE	APPROVED
	4	PROTO	01/06/03	



UNLESS OTHERWISE SPECIFIED DIMENSIONS ARE IN INCHES TOLERANCE ON ANGLE - - - 2 PLACES - - - 3 PLACES - - - INTERPRET DIM AND TOL PER ASME Y14.5M - 1994	CONTRACT NO.		 1630 McCarthy Blvd. Milpitas, CA 95035 Phone: (408)432-1900 Fax: (408)434-0507				
	APPROVALS	DATE					
	THIRD ANGLE PROJECTION	DRAWN MEI	06-07-02	TITLE SCH, LTC3728EG, DUAL 2-PHASE SYNCHRONOUS STEP- DOWN REGULATOR			
		CHECKED					
	APPROVED		SIZE	CAGE CODE	DWGNO	REV	
	ENGINEER		A		DC542A	4	
	DESIGNER		SCALE: NONE	FILENAME: 542A-4.DSN	SHEET	2	OF
DO NOT SCALE DRAWING	Monday, January 06, 2003						