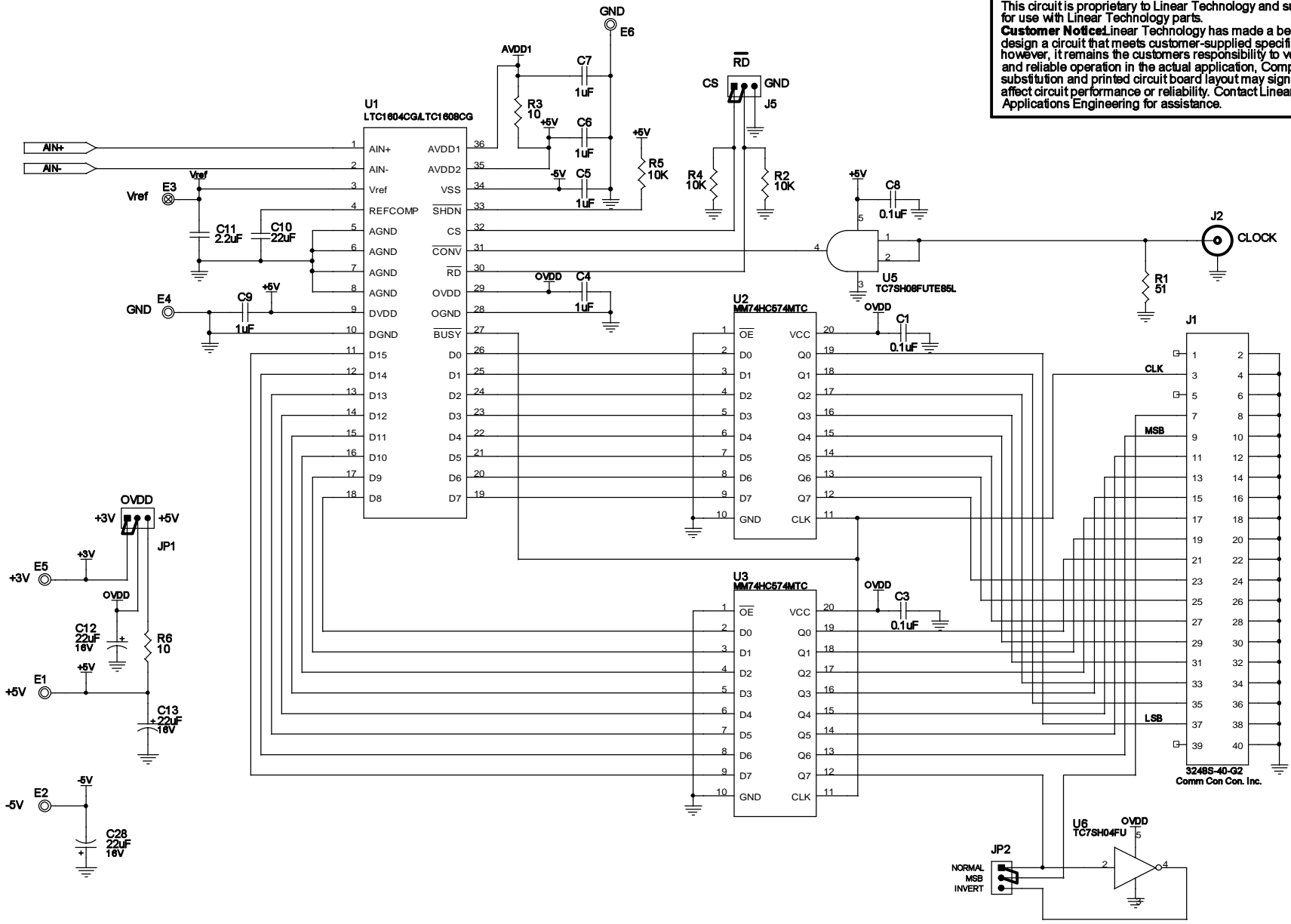


This circuit is proprietary to Linear Technology and supplied for use with Linear Technology parts.  
**Customer Notice:** Linear Technology has made a best effort to design a circuit that meets customer-supplied specifications; however, it remains the customers responsibility to verify proper and reliable operation in the actual application. Component substitution and printed circuit board layout may significantly affect circuit performance or reliability. Contact Linear Applications Engineering for assistance.



ASSY	IC
-A	LTC1604CG
-B	LTC1608CG

1830 McCarthy Blvd., Milpitas, CA  
**Linear Technology Corp.**, 95035-7417  
 Phone: (408)432-1800 Fax: (408)434-0507

Title: General Purpose Data Acquisition Board

Size	Document Number	Rev
	Demo Circuit 540A-A, -B	A

Date: Wednesday, March 12, 2003 Sheet 1 of 2

This circuit is proprietary to Linear Technology and supplied for use with Linear Technology parts.  
**Customer Notice:** Linear Technology has made a best effort to design a circuit that meets customer-supplied specifications; however, it remains the customers responsibility to verify proper and reliable operation in the actual application. Component substitution and printed circuit board layout may significantly affect circuit performance or reliability. Contact Linear Applications Engineering for assistance.

