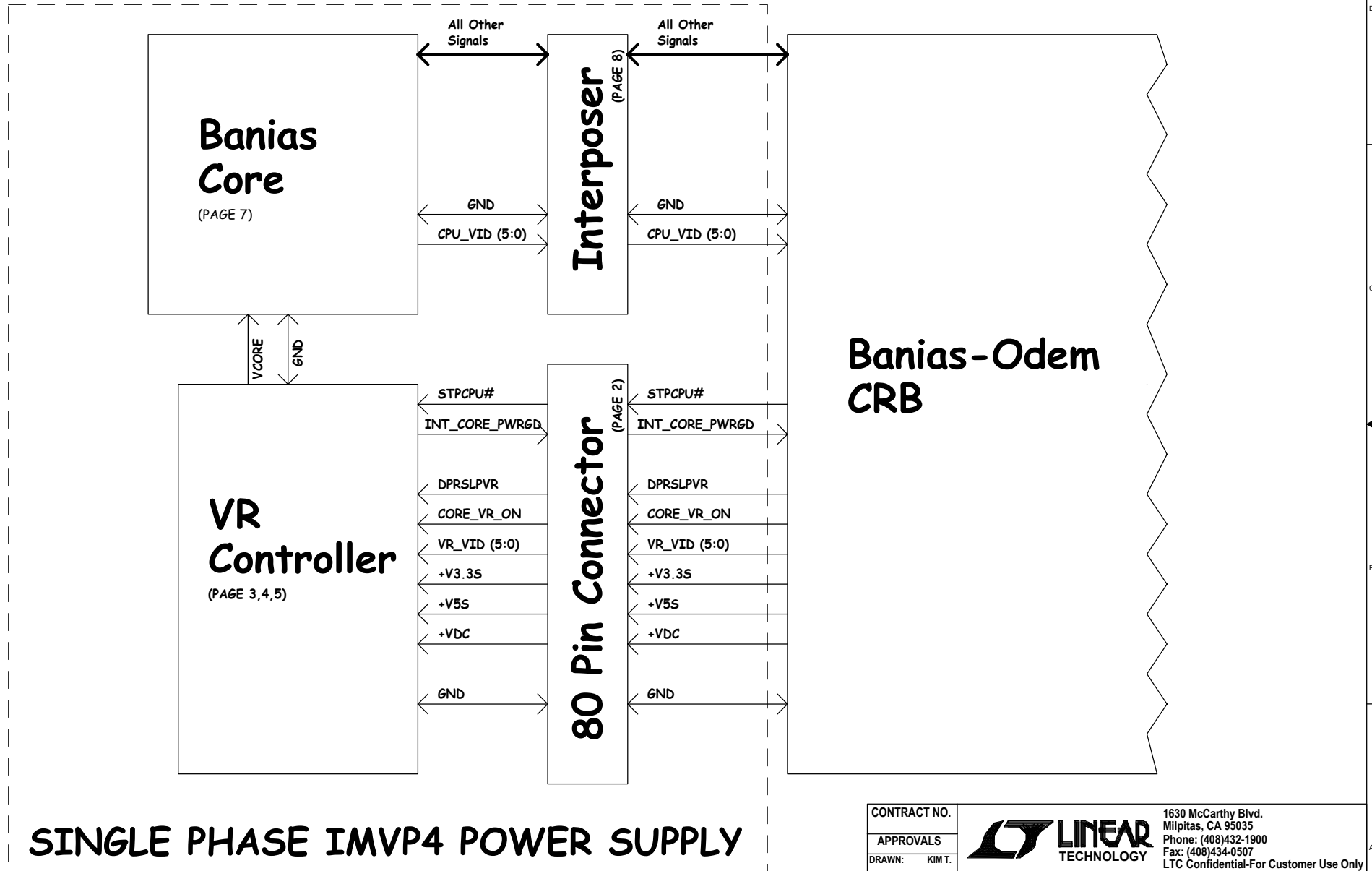


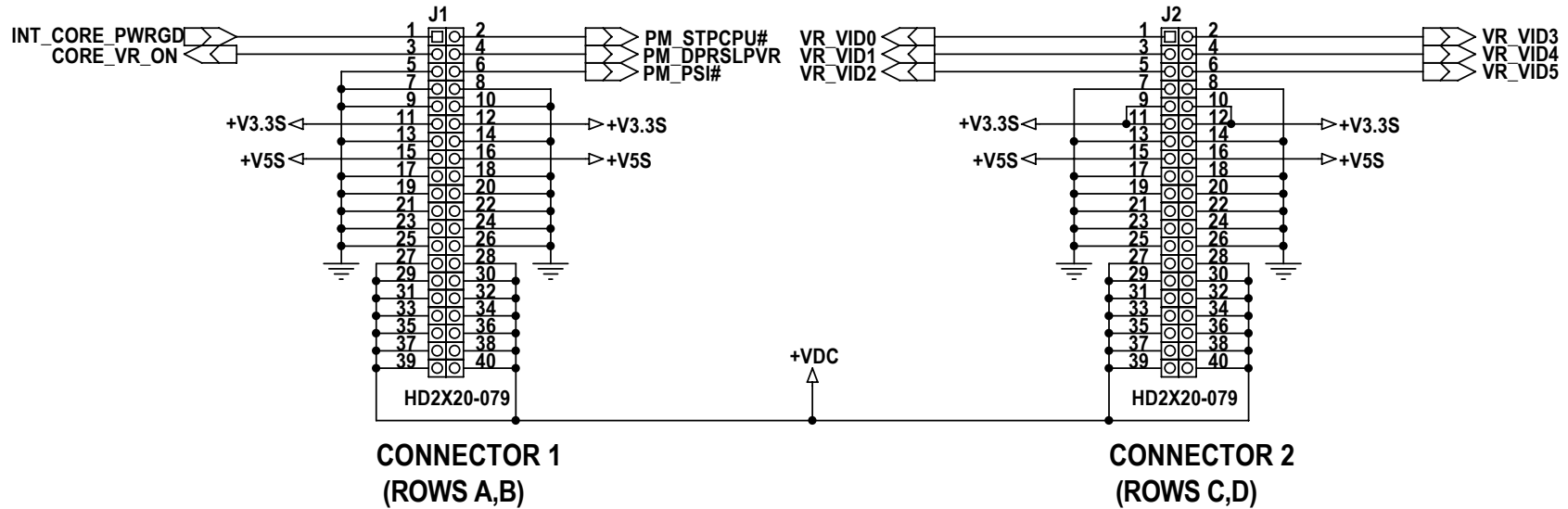
SINGLE PHASE IMVP4 POWER SUPPLY DISTRIBUTION MODULE



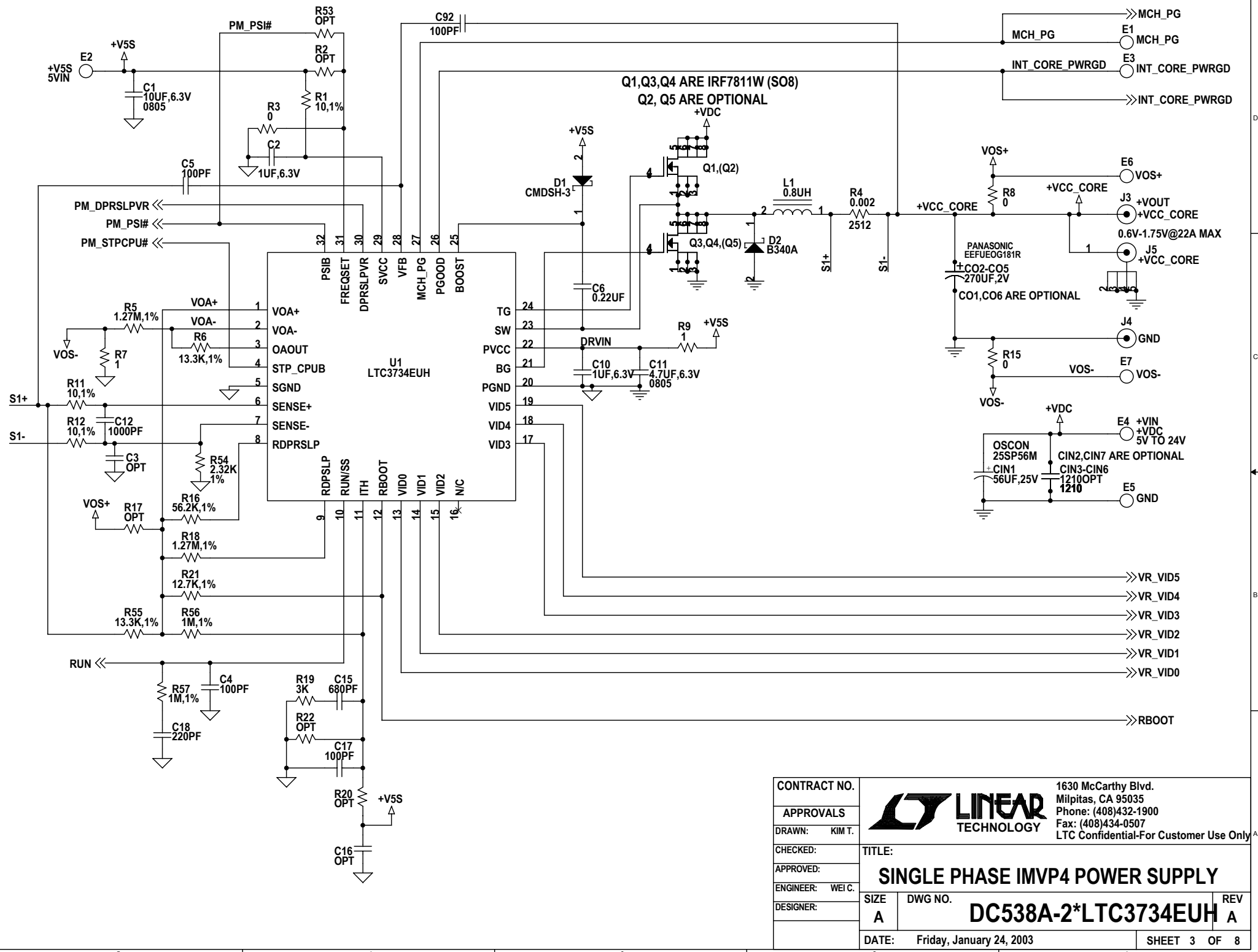
SINGLE PHASE IMVP4 POWER SUPPLY


CONTRACT NO.	LINEAR TECHNOLOGY		1630 McCarthy Blvd. Milpitas, CA 95035 Phone: (408)432-1900 Fax: (408)434-0507 LTC Confidential-For Customer Use Only	
APPROVALS				
DRAWN: KIM T.	TITLE: SINGLE PHASE IMVP4 POWER SUPPLY			
CHECKED:	SIZE A	DWG NO. DC538A-2*LTC3734EUH	REV A	
APPROVED:	DATE: Friday, January 24, 2003			
ENGINEER: WEI C.	SHEET 1 OF 8			
DESIGNER:				

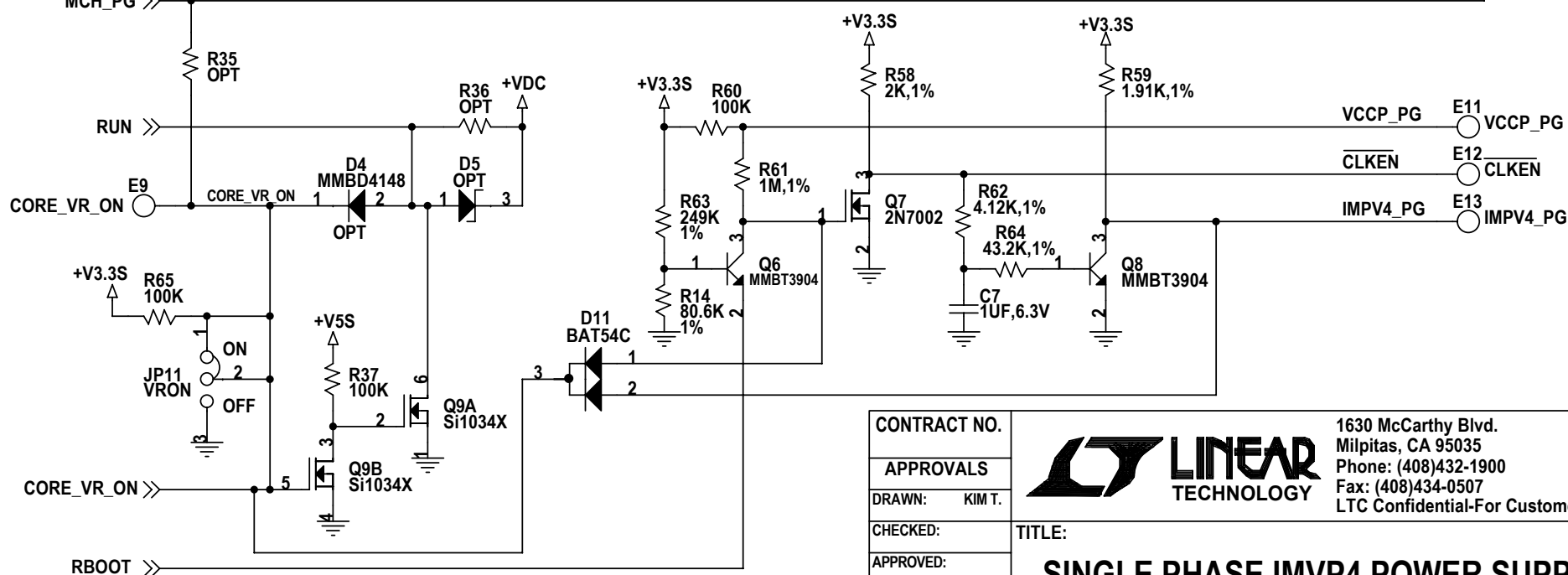
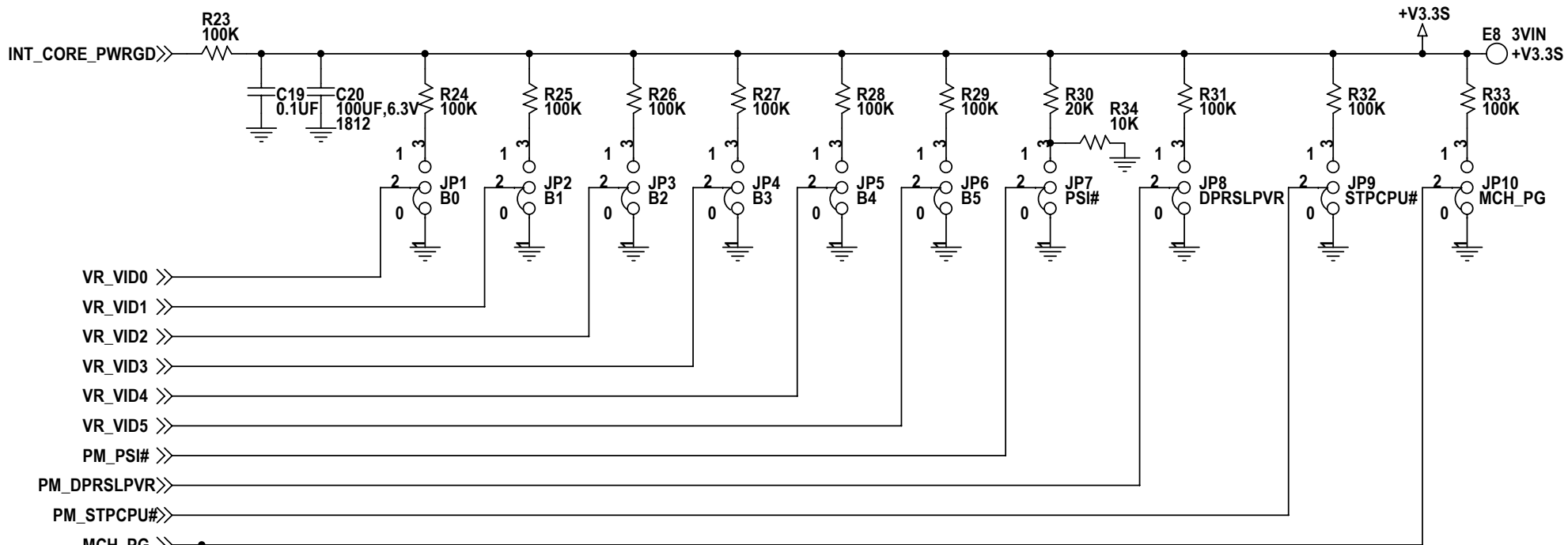
Power Header




CONTRACT NO.			1630 McCarthy Blvd. Milpitas, CA 95035	
APPROVALS			Phone: (408)432-1900	
DRAWN: KIM T.			Fax: (408)434-0507	
CHECKED:			LTC Confidential-For Customer Use Only	
APPROVED:	TITLE: SINGLE PHASE IMVP4 POWER SUPPLY			
ENGINEER: WEI C.	SIZE	DWG NO.	REV	
DESIGNER:	A	DC538A-2*LTC3734EUH	A	
DATE: Friday, January 24, 2003		SHEET 2 OF 8		

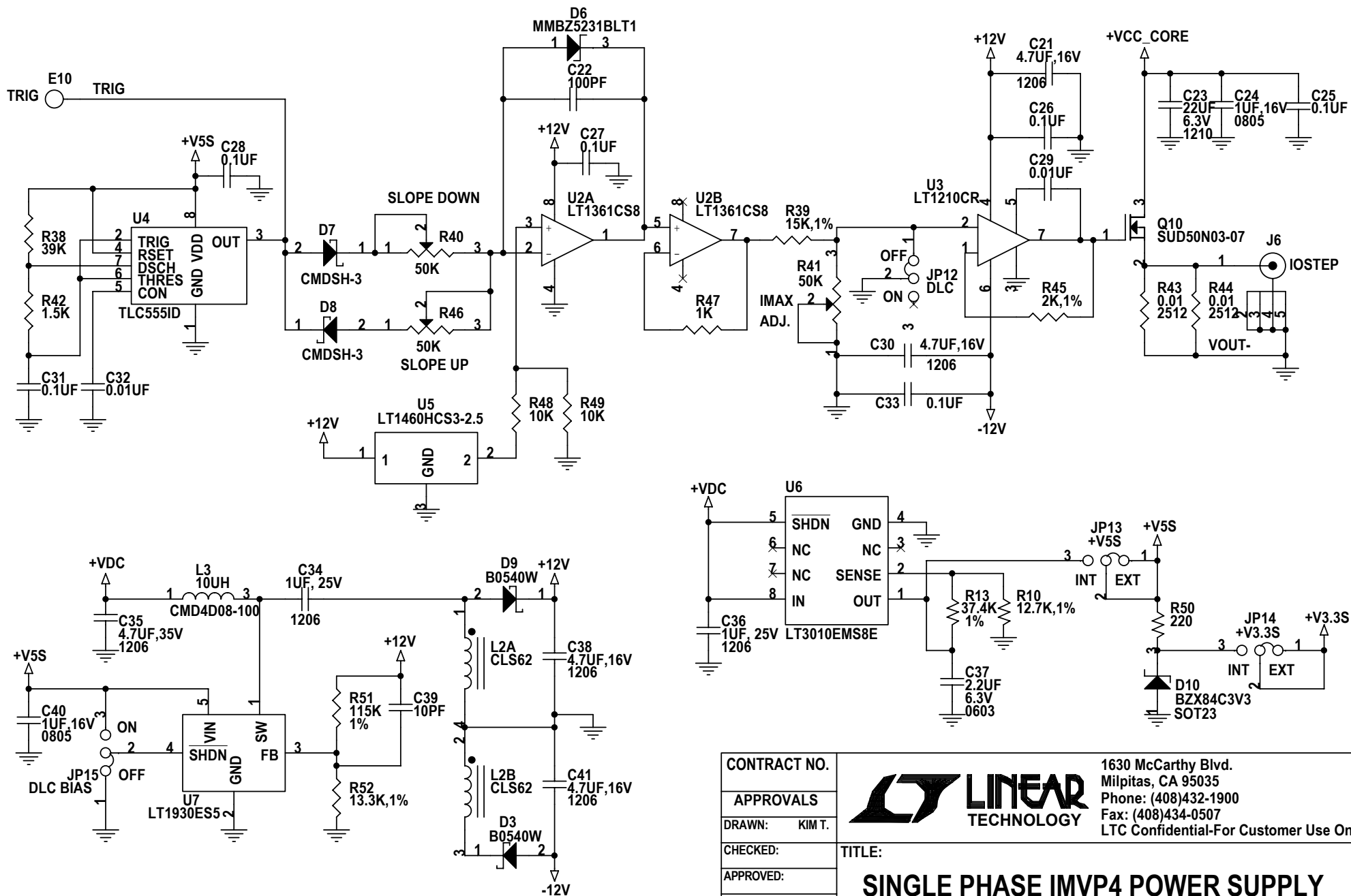



CONTRACT NO.			1630 McCarthy Blvd. Milpitas, CA 95035 Phone: (408)432-1900 Fax: (408)434-0507 LTC Confidential-For Customer Use Only	
APPROVALS			TITLE:	
DRAWN: KIM T.	SINGLE PHASE IMVP4 POWER SUPPLY			
CHECKED:	SIZE	DWG NO.	REV	
APPROVED:	A	DC538A-2*LTC3734EUH	A	
ENGINEER: WEI.C.	DATE: Friday, January 24, 2003		SHEET 3 OF 8	
DESIGNER:				



CONTRACT NO.		 1630 McCarthy Blvd. Milpitas, CA 95035 Phone: (408)432-1900 Fax: (408)434-0507 LTC Confidential-For Customer Use Only	
APPROVALS			
DRAWN:	KIM T.	TITLE: SINGLE PHASE IMVP4 POWER SUPPLY	
CHECKED:			
APPROVED:		SIZE: A DWG NO. DC538A-2*LTC3734EUH REV A	
ENGINEER:	WEI C.		
DESIGNER:		DATE: Friday, January 24, 2003 SHEET 4 OF 8	

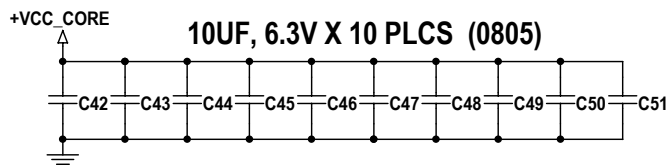
DYNAMIC LOAD CIRCUIT



CONTRACT NO.			1630 McCarthy Blvd.	
APPROVALS			Milpitas, CA 95035	
DRAWN: KIM T.			Phone: (408)432-1900	
CHECKED:			Fax: (408)434-0507	
APPROVED:			LTC Confidential-For Customer Use Only	
ENGINEER: WEI C.	TITLE:		SINGLE PHASE IMVP4 POWER SUPPLY	
DESIGNER:	SIZE	DWG NO.	REV	
	A	DC538A-2*LTC3734EUH	A	
DATE: Friday, January 24, 2003		SHEET 5 OF 8		

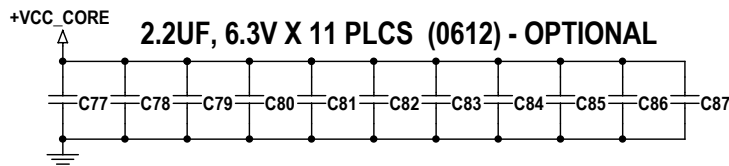
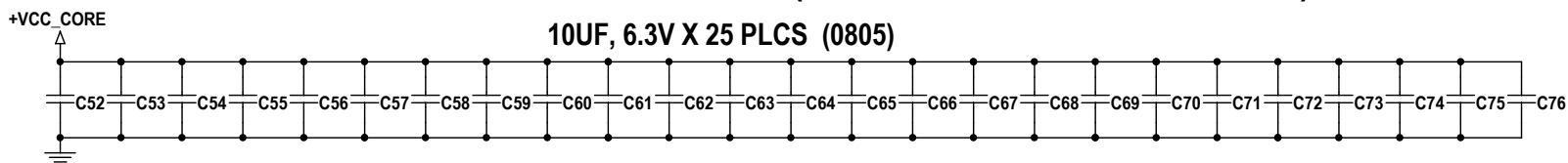
Decoupling For Top Side

HIGH FREQUENCY DECOUPLING (PLACE AROUND PROCESSOR)



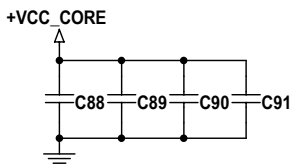
Decoupling For Bottom Side


HIGH FREQUENCY DECOUPLING (PLACE AROUND PROCESSOR)



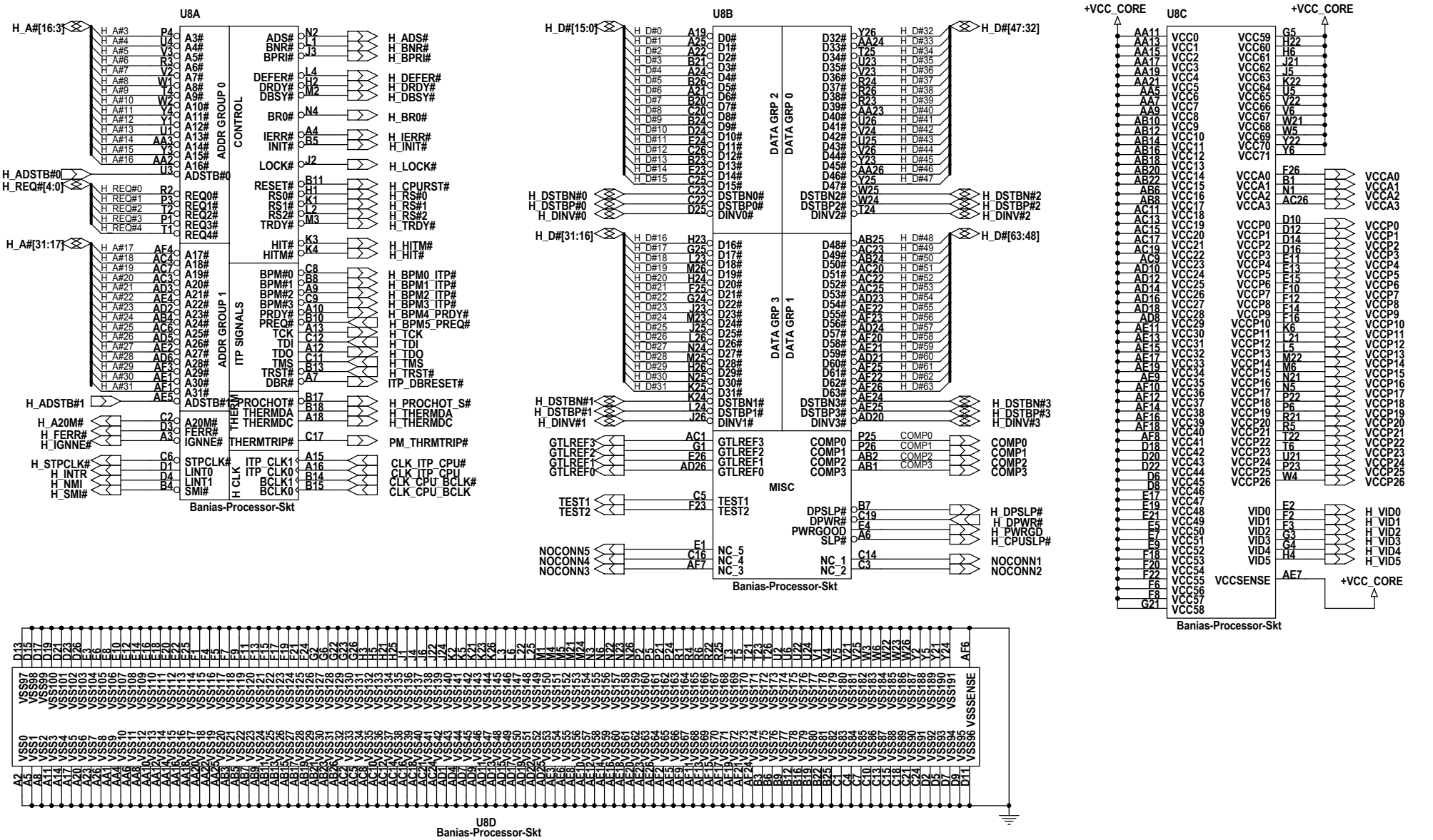
HIGH FREQUENCY DECOUPLING (PLACE UNDERNEATH PROCESSOR)

2.2UF, 6.3V X 4 PLCS (0612)



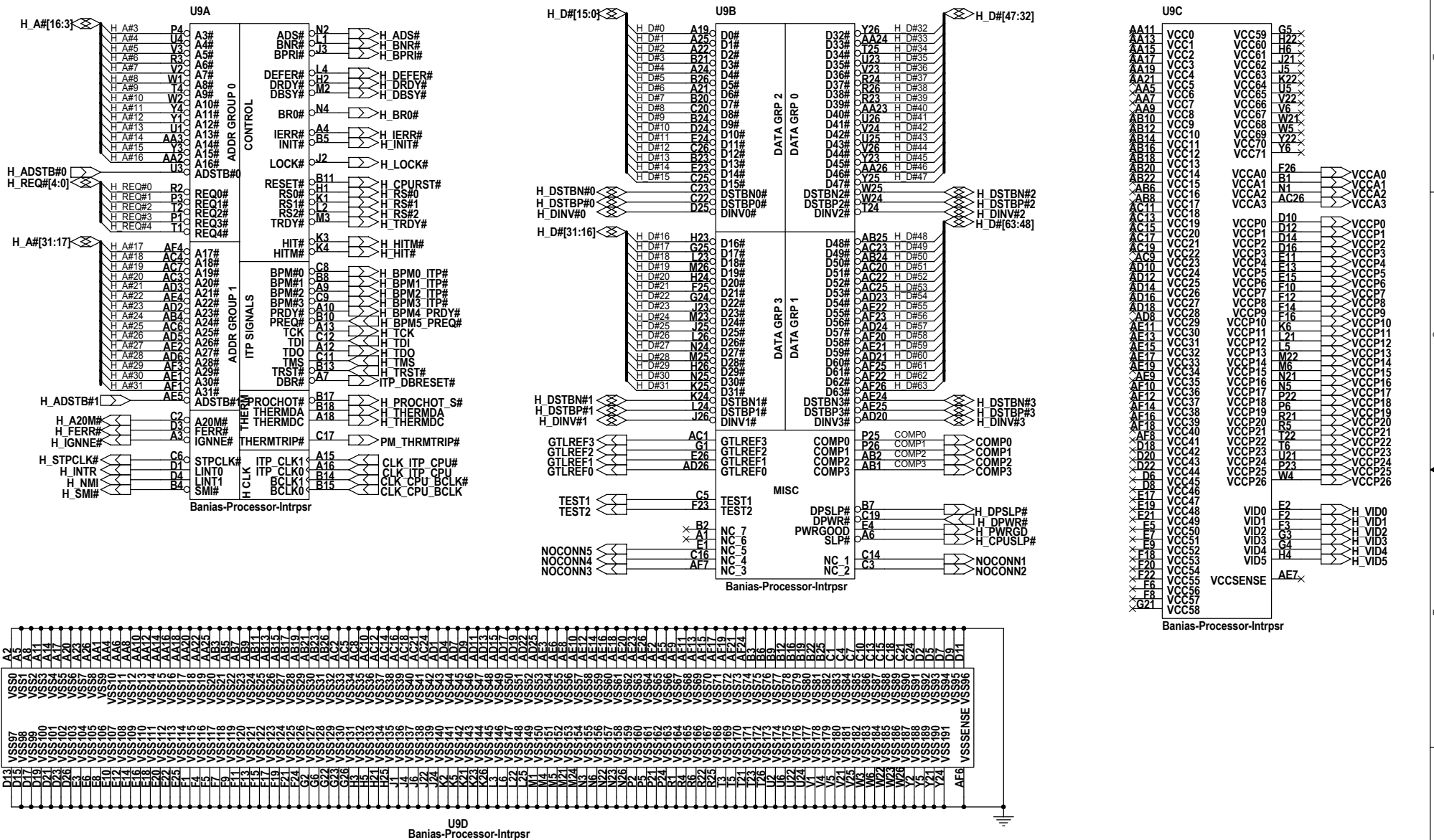
CONTRACT NO.			1630 McCarthy Blvd. Milpitas, CA 95035 Phone: (408)432-1900 Fax: (408)434-0507 LTC Confidential-For Customer Use Only	
APPROVALS			TITLE: SINGLE PHASE IMVP4 POWER SUPPLY	
DRAWN: KIM T.	SIZE A	DWG NO. DC538A-2*LTC3734EUH	REV A	
CHECKED:	DATE: Friday, January 24, 2003		SHEET 6 OF 8	
APPROVED:				
ENGINEER: WEI C.				
DESIGNER:				


Banias Core



CONTRACT NO.	1630 McCarthy Blvd. Milpitas, CA 95035	
APPROVALS	Phone: (408)432-1900 Fax: (408)434-0507 LTC Confidential-For Customer Use Only	
DRAWN: KIM T.	TITLE: SINGLE PHASE IMP4 POWER SUPPLY	
CHECKED:	SIZE A	DWG NO. DC538A-2*LTC3734EUH
APPROVED:	DATE: Friday, January 24, 2003	REV A
ENGINEER: WEI C.	SHEET 7 OF 8	
DESIGNER:		

Interposer



CONTRACT NO.			1630 McCarthy Blvd. Milpitas, CA 95035	
APPROVALS			Phone: (408)432-1900 Fax: (408)434-0507 LTC Confidential-For Customer Use Only	
DRAWN: KIM T.	TITLE: SINGLE PHASE IMP4 POWER SUPPLY			
CHECKED:	SIZE A DWG NO. DC538A-2*LTC3734EUH REV A			
APPROVED:	DATE: Friday, January 24, 2003 SHEET 8 OF 8			
ENGINEER: WEI C.				
DESIGNER:				