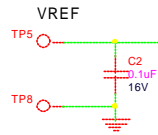
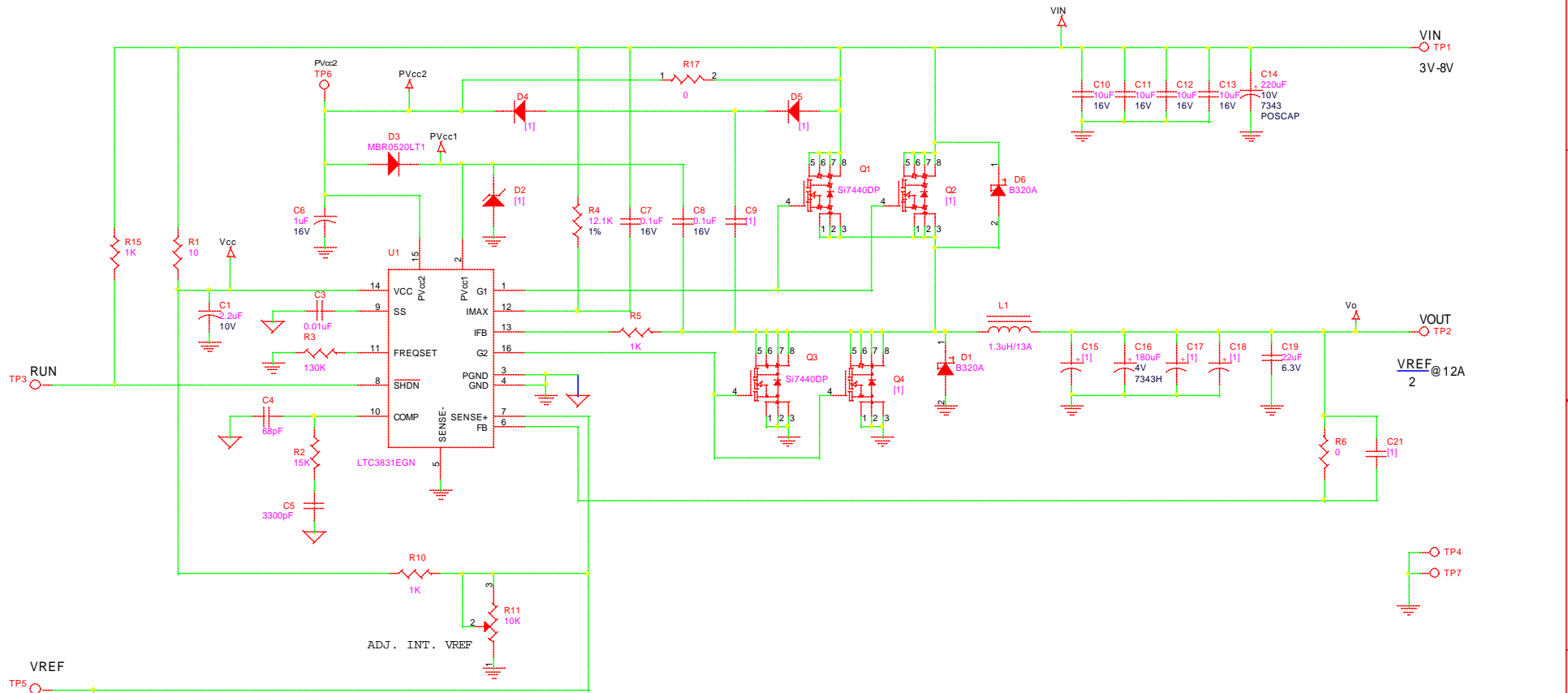


REVISION HISTORY				
ECO	REV	DESCRIPTION	DATE	APPROVED
0	2	PRODUCTION RELEASE	01-07-02	<



NOTES: UNLESS OTHERWISE SPECIFIED,  
 [1] DO NOT STUFF (OPTIONAL).

UNLESS OTHERWISE SPECIFIED DIMENSIONS ARE IN INCHES TOLERANCE ON ANGLE --- 2 PLACES --- 3 PLACES --- INTERPRET DIM AND TOL PER ASME Y14.5M -1994	CONTRACT NO.		1630 McCarthy Blvd. Milpitas, CA 95035 Phone: (408)432-1900 Fax: (408)434-0507
	APPROVALS DRAWN MEI CHECKED APPROVED ENGINEER DESIGNER	DATE 10-10-01	
THIRD ANGLE PROJECTION 	Friday, March 15, 2002	SCALE NONE FILENAME 470A-2.SCH	SHEET 1 OF 1
DO NOT SCALE DRAWING	DWG NO DC470A	CAGE CODE	REV 2