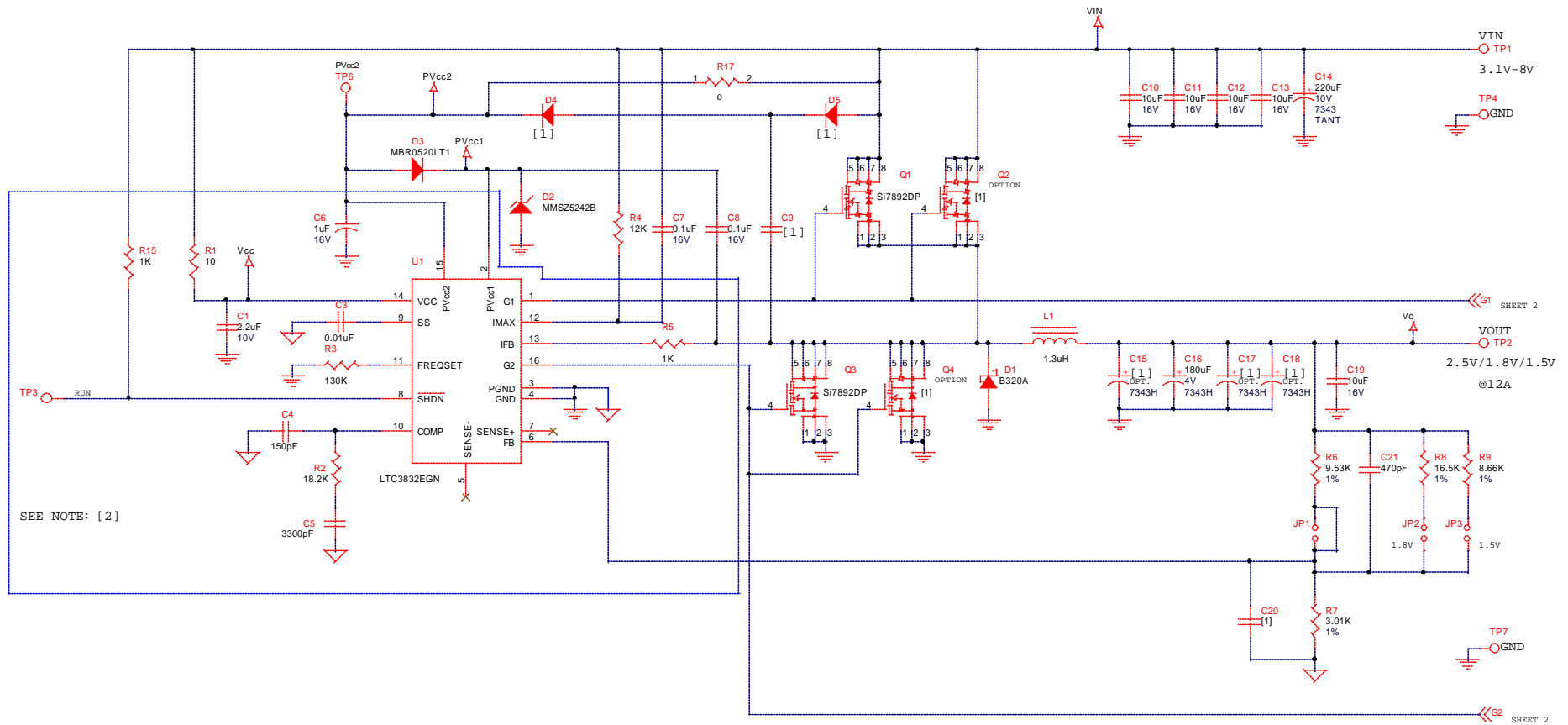


REVISION HISTORY				
ECO	REV	DESCRIPTION	DATE	APPROVED
0	B	PRODUCTION RELEASE	12-19-01	>



NOTES: UNLESS OTHERWISE SPECIFIED,

- [1] C9, C15, C17, C18, C20, D4, D5, Q2, Q4 OPTIONAL - DO NOT STUFF.
- [2] DC469B-A: COMPONENTS INSIDE DOTTED FRAME SHEET 1.
DC479B-B: COMPONENTS ON SHEET 2 INSTEAD.

UNLESS OTHERWISE SPECIFIED DIMENSIONS ARE IN INCHES TOLERANCE ON ANGLE - - - 2 PLACES - - - 3 PLACES - - - INTERPRET DIM AND TOL PER ASME Y14.5M -1994	CONTRACT NO.		1630 McCarthy Blvd. Milpitas, CA 95035 Phone: (408)432-1900 Fax: (408)434-0507
	APPROVALS DRAWN MEI CHECKED APPROVED ENGINEER DESIGNER	DATE 12-19-01	
THIRD ANGLE PROJECTION 	WEDNESDAY, SEPTEMBER 11, 2002	SIZE B CAGE CODE DWG NO DC469B	REV B
DO NOT SCALE DRAWING	SCALE: NONE	FILENAME: 469B-1.DSN	SHEET 1 OF 2