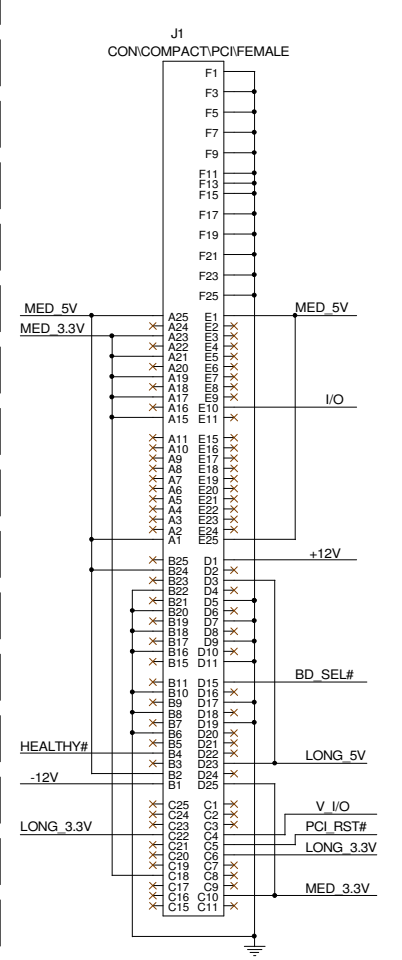
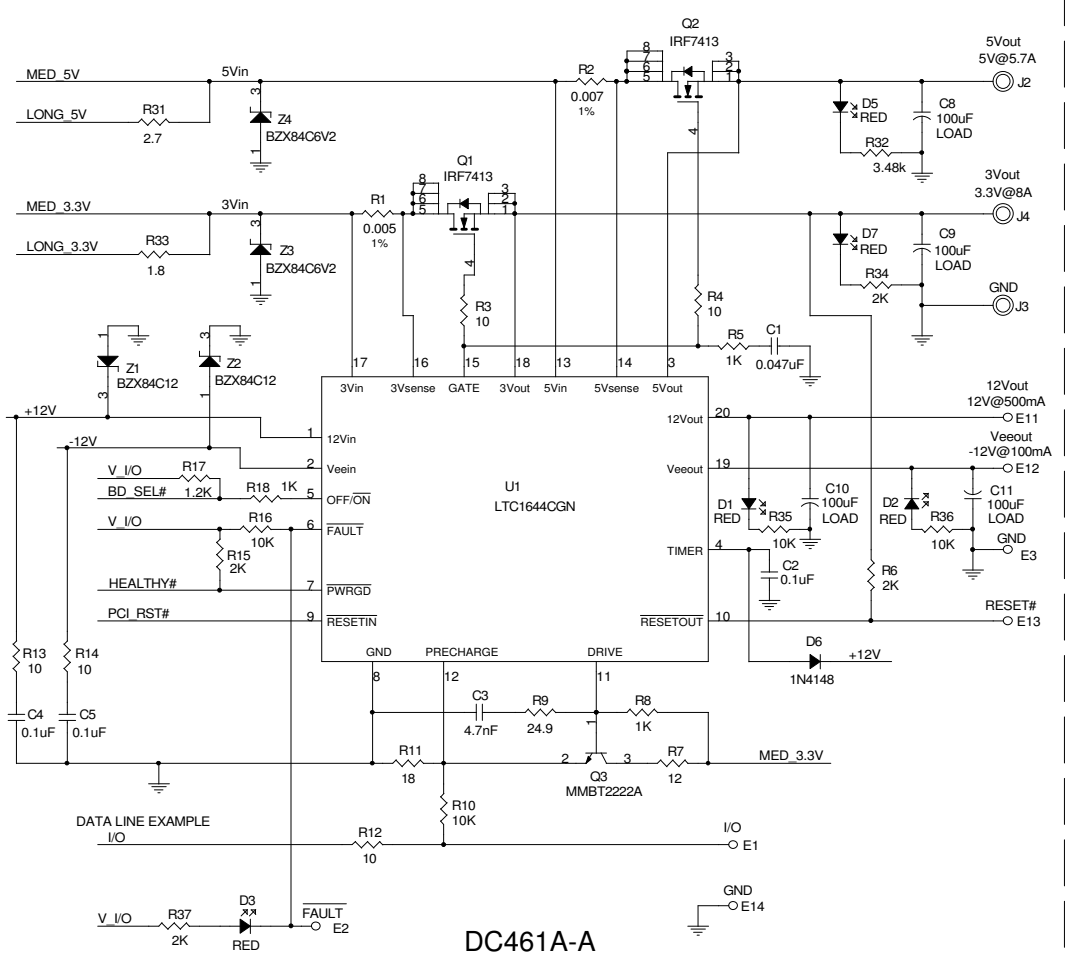


DC461A-B
System Backplane



DC461A-A
Hot Swap Controller



CUSTOMER NOTICE		CONTRACT NO.		APPROVALS		DATE		TITLE		DRAWN		DATE	
LINEAR TECHNOLOGY HAS MADE A BEST EFFORT TO DESIGN A CIRCUIT THAT MEETS CUSTOMER-SUPPLIED SPECIFICATIONS; HOWEVER, IT REMAINS THE CUSTOMER'S RESPONSIBILITY TO VERIFY PROPER AND RELIABLE OPERATION IN THE ACTUAL APPLICATION. COMPONENT SUBSTITUTION AND PRINTED CIRCUIT BOARD LAYOUT MAY SIGNIFICANTLY AFFECT CIRCUIT PERFORMANCE OR RELIABILITY. CONTACT LINEAR TECHNOLOGY APPLICATIONS ENGINEERING FOR ASSISTANCE.				DRAWN		June Wu		12/5/05		CHECKED			
THIS CIRCUIT IS PROPRIETARY TO LINEAR TECHNOLOGY AND SUPPLIED FOR USE WITH LINEAR TECHNOLOGY PARTS.				APPROVED						ENGINEER		12/5/05	
				DESIGNER		Andy Gardner				SIZE		CAGE CODE	
				Wichestady, March 01, 2006		SCALE:		FILENAME:		DWG NO		REV	
										DC461A		A	
										SHEET		1 OF 1	



1620 McCarty Blvd
Millsite, CA 95035
Phone: (925) 452-1900
Fax: (925) 454-0837

LTC1644CGN
CompactPCI Bus Hot Swap Controller

DC461A

SHEET 1 OF 1