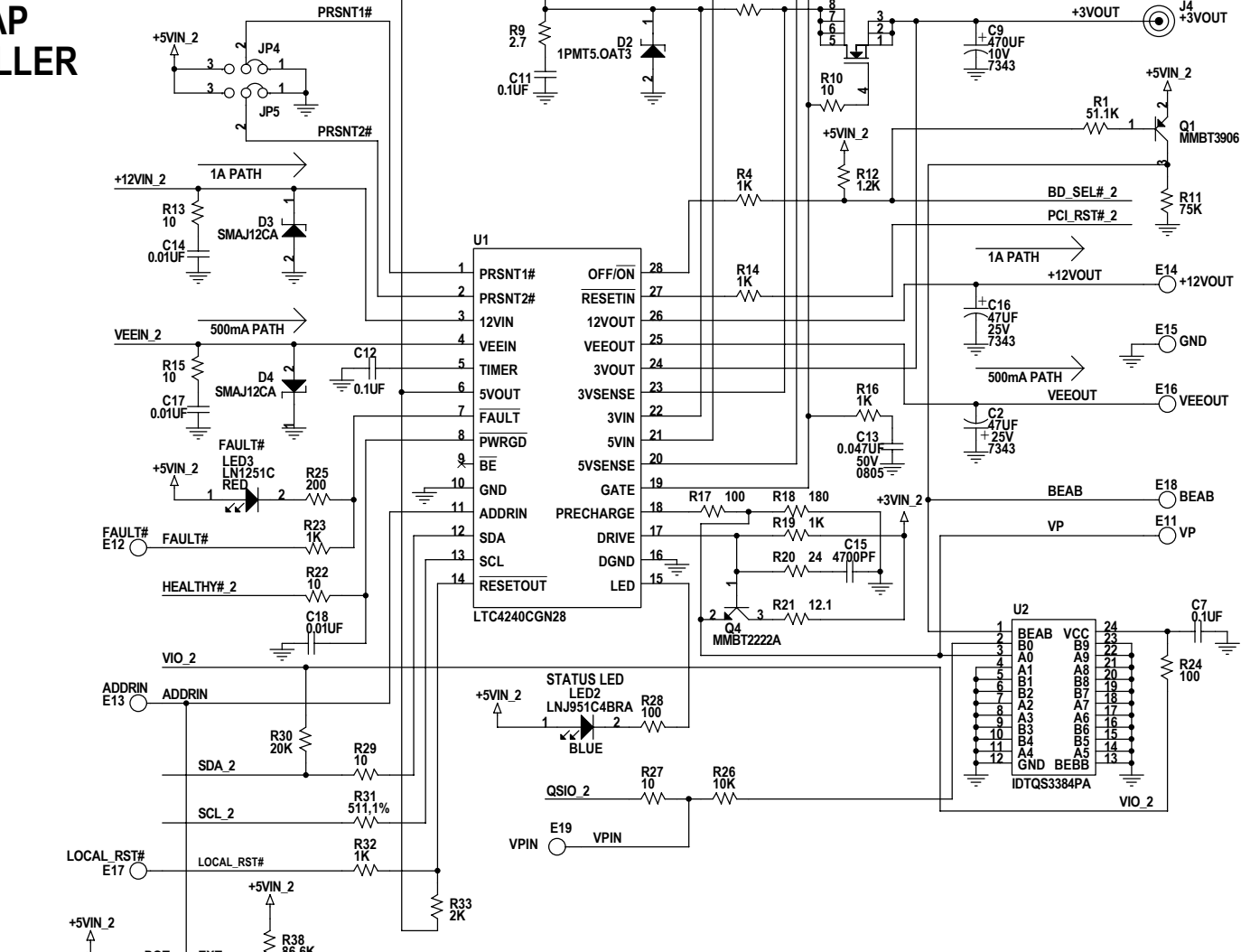
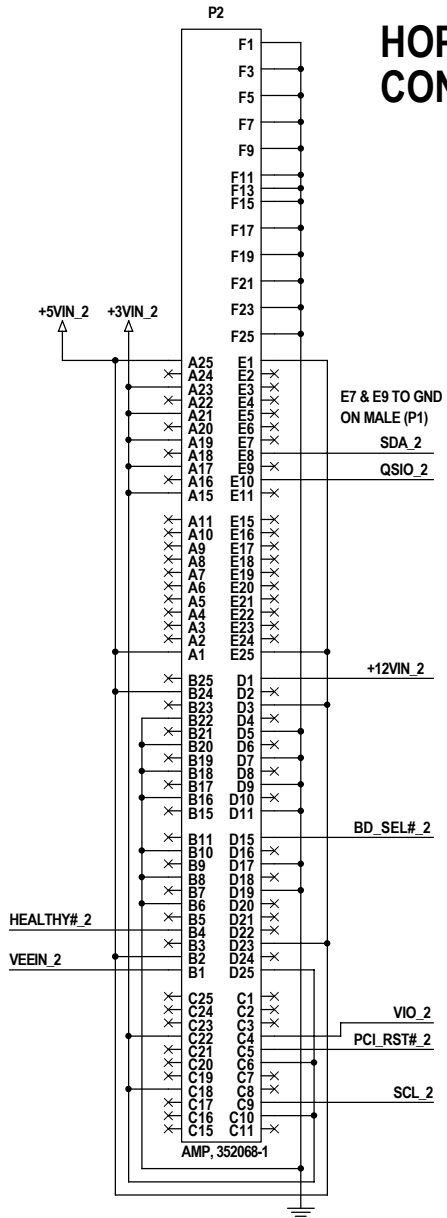


NOTES: UNLESS OTHERWISE SPECIFIED

1. ALL RESISTORS ARE IN OHMS, 0603.
2. INSTALL SHUNTS ON JP1-JP6 PIN 1 AND 2.
3. P2 IS MOUNTED ON SOLDER SIDE.

PRSN1# (JP4)	PRSN2# (JP5)	EXPANSION CONFIGURATION
5VIN	5VIN	NO PLUG IN BOARD PRESENT
GND	5VIN	MAXIMUM POWER CONSUMPTION
5VIN	GND	NOMINAL POWER CONSUMPTION
GND	GND	MINIMUM POWER CONSUMPTION

HOP SWAP CONTROLLER



CUSTOMER NOTICE

LINEAR TECHNOLOGY HAS MADE A BEST EFFORT TO DESIGN A CIRCUIT THAT MEETS CUSTOMER-SUPPLIED SPECIFICATIONS; HOWEVER, IT REMAINS THE CUSTOMER'S RESPONSIBILITY TO VERIFY PROPER AND RELIABLE OPERATION IN THE ACTUAL APPLICATION. COMPONENT SUBSTITUTION AND PRINTED CIRCUIT BOARD LAYOUT MAY SIGNIFICANTLY AFFECT CIRCUIT PERFORMANCE OR RELIABILITY. CONTACT LINEAR TECHNOLOGY APPLICATIONS ENGINEERING FOR ASSISTANCE.

THIS CIRCUIT IS PROPRIETARY TO LINEAR TECHNOLOGY AND SUPPLIED FOR USE WITH LINEAR TECHNOLOGY PARTS.

CONTRACT NO.

APPROVALS

DRAWN: KIM.T.

CHECKED:

APPROVED:

ENGINEER: VICTOR F.

DESIGNER:

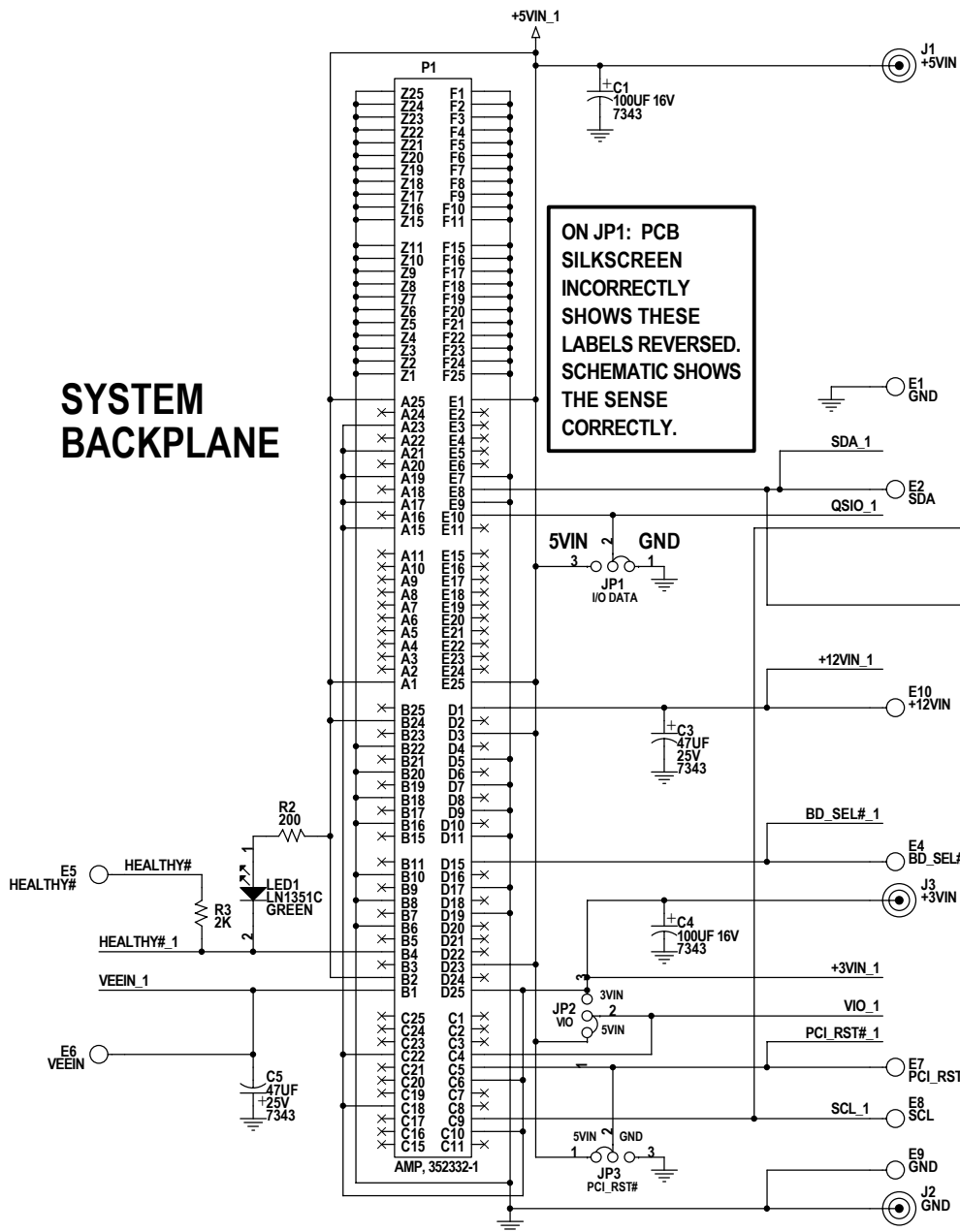
1630 McCarthy Blvd.
Milpitas, CA 95035
Phone: (408)432-1900
Fax: (408)434-0507
LTC Confidential-For Customer Use Only

TITLE:
I2C COMPACT PCI HOT SWAP CONTROLLER

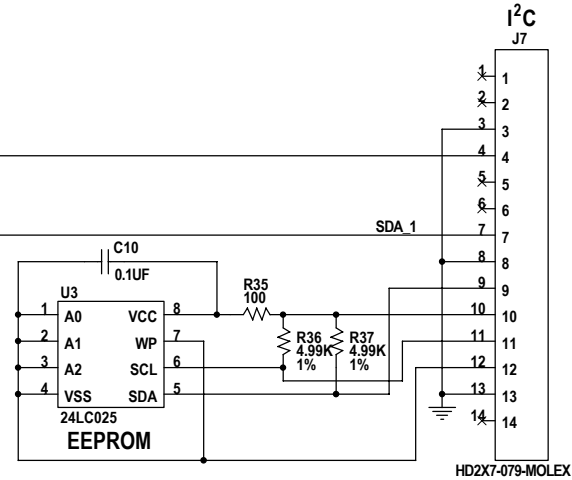
SIZE: A DWG NO.: **DC458A-A (-2) * LTC4240CGN28** REV: A


DATE: Friday, December 05, 2003 SHEET 1 OF 2

SYSTEM BACKPLANE



ON JP1: PCB SILKSCREEN INCORRECTLY SHOWS THESE LABELS REVERSED. SCHEMATIC SHOWS THE SENSE CORRECTLY.



CUSTOMER NOTICE		CONTRACT NO.				1630 McCarthy Blvd. Milpitas, CA 95035 Phone: (408)432-1900	
LINEAR TECHNOLOGY HAS MADE A BEST EFFORT TO DESIGN A CIRCUIT THAT MEETS CUSTOMER-SUPPLIED SPECIFICATIONS; HOWEVER, IT REMAINS THE CUSTOMER'S RESPONSIBILITY TO VERIFY PROPER AND RELIABLE OPERATION IN THE ACTUAL APPLICATION. COMPONENT SUBSTITUTION AND PRINTED CIRCUIT BOARD LAYOUT MAY SIGNIFICANTLY AFFECT CIRCUIT PERFORMANCE OR RELIABILITY. CONTACT LINEAR TECHNOLOGY APPLICATIONS ENGINEERING FOR ASSISTANCE.		APPROVALS				LTC Confidential-For Customer Use Only	
THIS CIRCUIT IS PROPRIETARY TO LINEAR TECHNOLOGY AND SUPPLIED FOR USE WITH LINEAR TECHNOLOGY PARTS.		DRAWN: KIM T.		TITLE:		SYSTEM BACKPLANE	
		CHECKED:		SIZE		REV	
		APPROVED:		A		A	
		ENGINEER: VICTOR F.		DWG NO.		DC458A-B (-2) * LTC4240CGN28	
		DESIGNER:		DATE:		Friday, December 05, 2003	
				SHEET		2 OF 2	