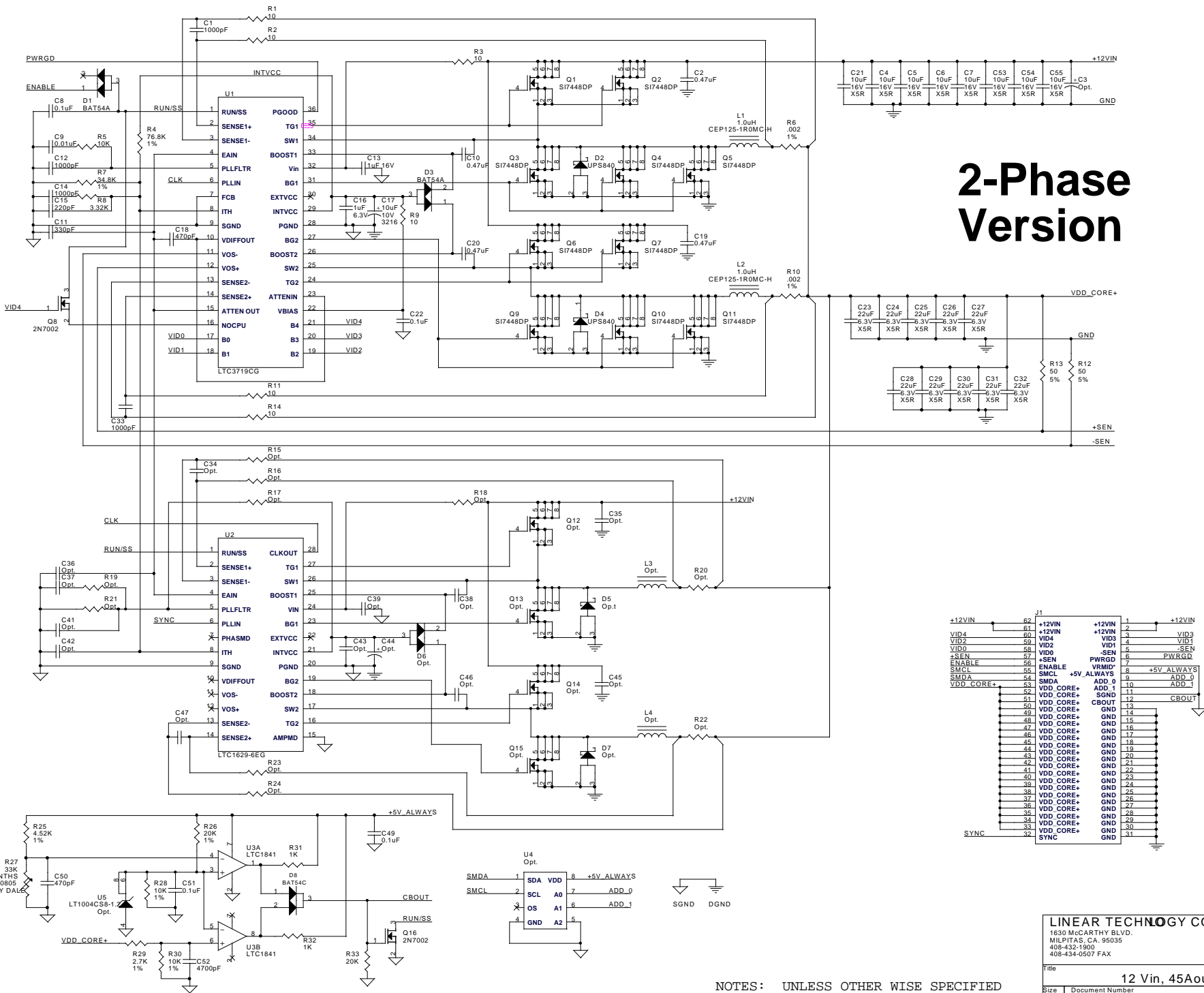


2-Phase Version

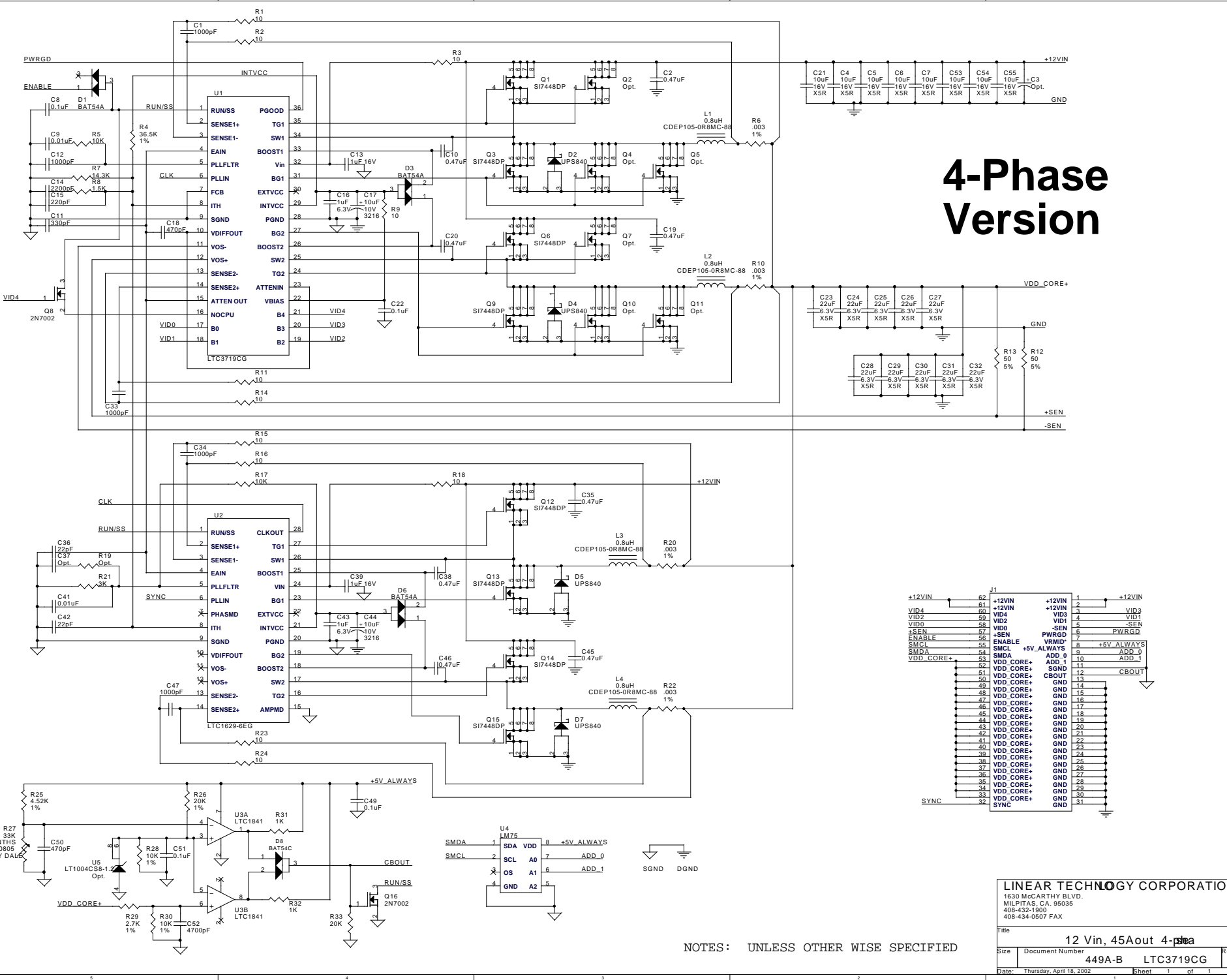


NOTES: UNLESS OTHERWISE SPECIFIED

LINEAR TECHNOLOGY CORPORATION
 1630 McCARTHY BLVD.
 MILPITAS, CA. 95035
 408-432-1900
 408-434-0507 FAX

File	12 Vin, 45Aout 2-phase	
Size	Document Number	Rev
	449A-A	LTC3719CG
Date:	Thursday, April 18, 2002	Sheet 1 of 1

4-Phase Version



J1			
+12VIN	62	+12VIN	1
VID4	61	+12VIN	2
VID2	60	VID3	3
VID0	59	VID1	4
VID0	58	-SEN	5
+SEN	57	VID0	6
ENABLE	56	+SEN	7
SMCL	55	SMCL	8
SMDA	54	ENABLE	9
VDD_CORE+	53	SMCL	10
	52	VDD_CORE+	11
	51	VDD_CORE+	12
	50	VDD_CORE+	13
	49	VDD_CORE+	14
	48	VDD_CORE+	15
	47	VDD_CORE+	16
	46	VDD_CORE+	17
	45	VDD_CORE+	18
	44	VDD_CORE+	19
	43	VDD_CORE+	20
	42	VDD_CORE+	21
	41	VDD_CORE+	22
	40	VDD_CORE+	23
	39	VDD_CORE+	24
	38	VDD_CORE+	25
	37	VDD_CORE+	26
	36	VDD_CORE+	27
	35	VDD_CORE+	28
	34	VDD_CORE+	29
	33	VDD_CORE+	30
	32	VDD_CORE+	31
SYNC		SYNC	

LINEAR TECHNOLOGY CORPORATION
 1630 McCARTHY BLVD.
 MILPITAS, CA. 95035
 408-432-1900
 408-434-0507 FAX

File: 12 Vin, 45Aout 4-pha
 Size: Document Number 449A-B LTC3719CG Rev
 Date: Thursday, April 18, 2002 Sheet 1 of 1

NOTES: UNLESS OTHERWISE SPECIFIED