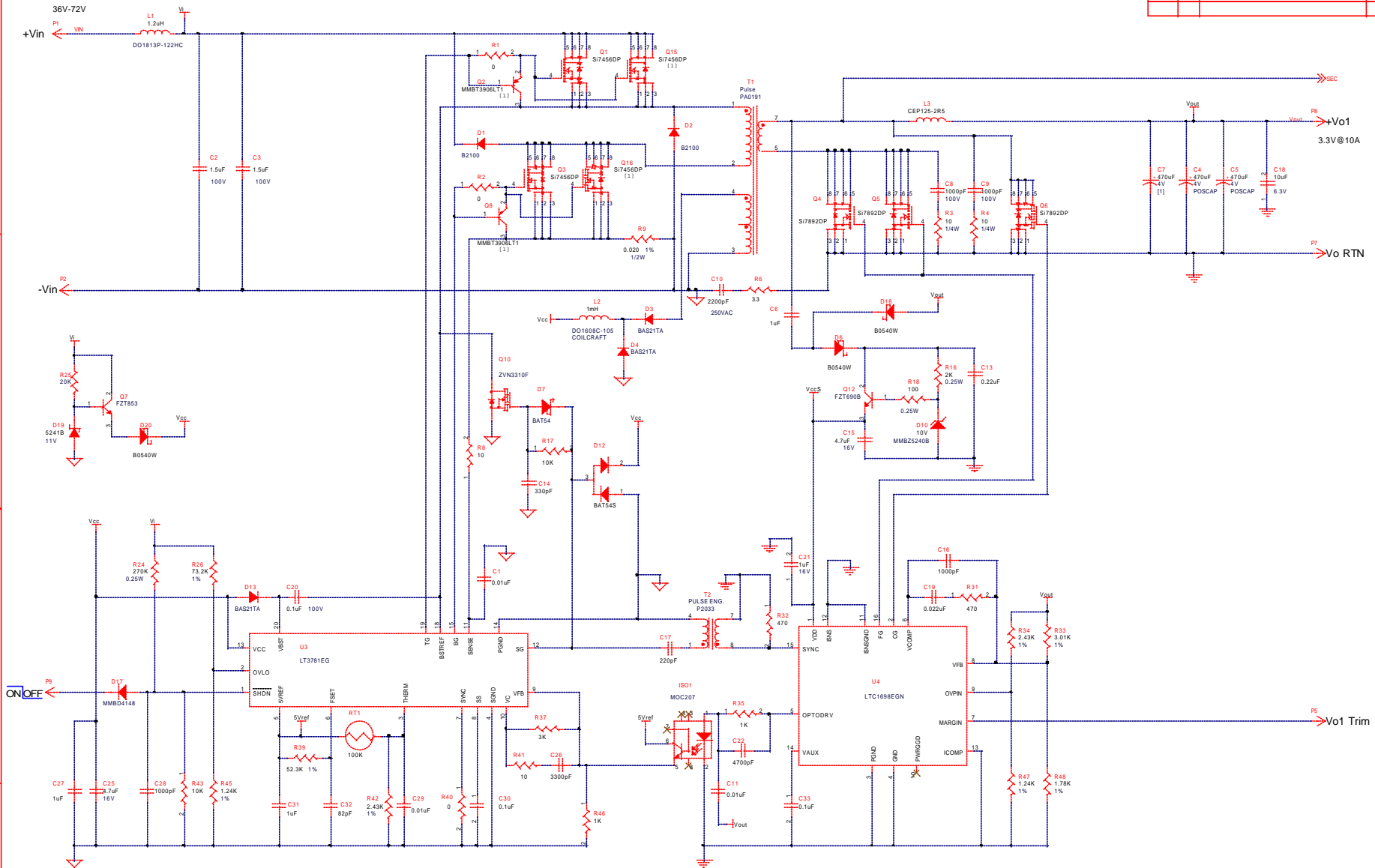
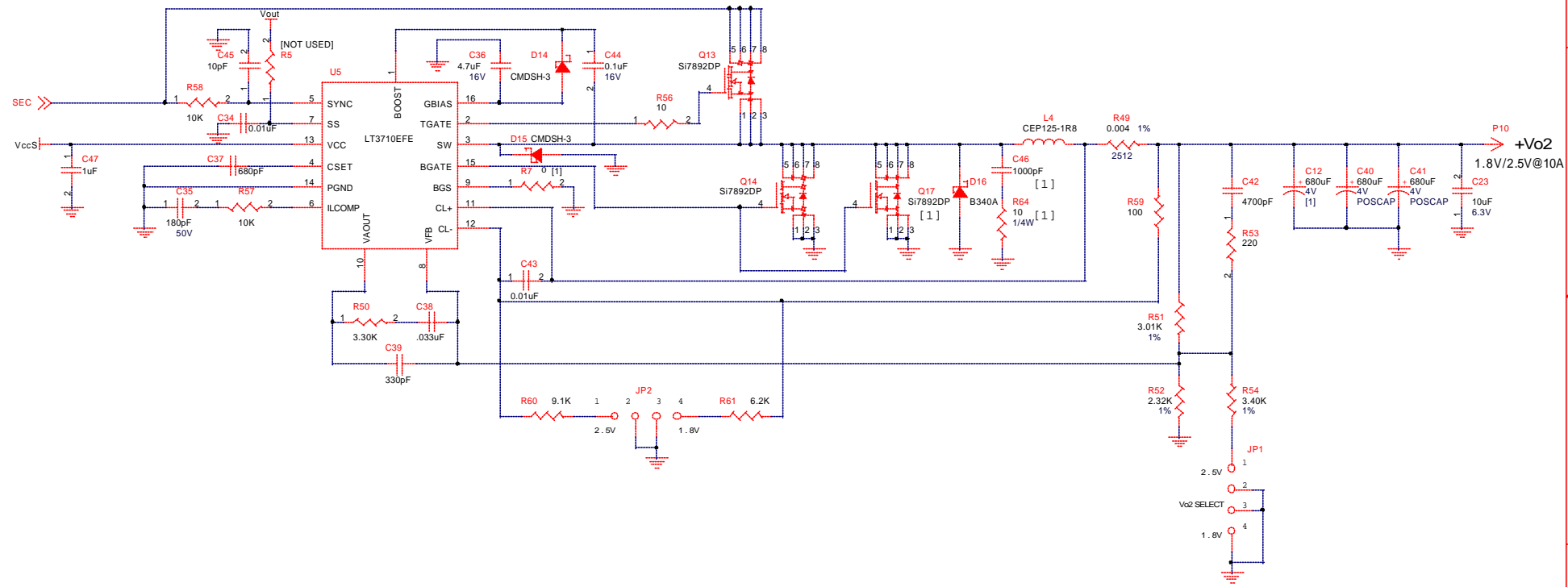



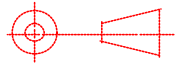
REVISION HISTORY				
ECO	REV	DESCRIPTION	DATE	APPROVED
0	5	PROTO	??	<



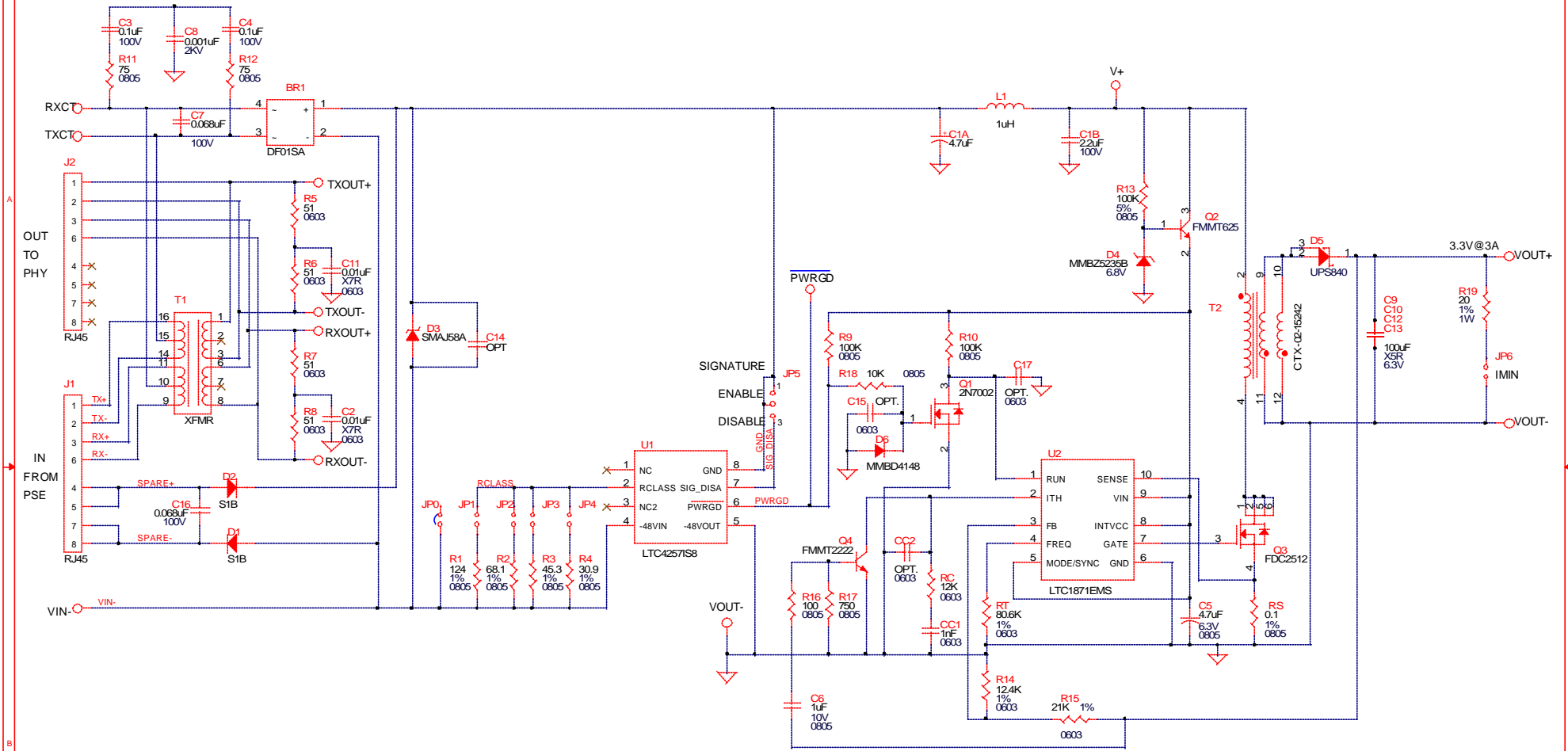
U/N UNLESS OTHERWISE SPECIFIED DIMENSIONS ARE IN INCHES TOLERANCE ON ANGLE . . . 2 PLACES - . . . 3 PLACES - . . . INTERPRET DIM AND TOL PER ASME Y14.5M-1994		CONTRACT NO. APPROVALS DATE		1630 McCarthy Blvd. Milpitas, CA 95028 Phone: (408) 434-2000 Fax: (408) 434-0097	
THIRD ANGLE PROJECTION 		CHECKED: MEI APPROVED: [Signature] ENGINEER: [Signature] DESIGNER: [Signature]		TITLE SCH. LT3710EFLT3781EGLT1698EGN DUAL OUTPUT ISOLATED POWER SUPPLY	
DO NOT SCALE DRAWING		Thursday, September 12, 2002		SCALE NONE	FILENAME: 448A-5.DSN
				SHEET 1 OF 2	REV 5

REVISION HISTORY				
ECO	REV	DESCRIPTION	DATE	APPROVED
>	5	Proto	?	<



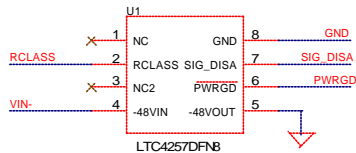
UNLESS OTHERWISE SPECIFIED DIMENSIONS ARE IN INCHES TOLERANCE ON ANGLE - - - 2 PLACES - - - 3 PLACES - - - INTERPRET DIM AND TOL PER ASME Y14.5M -1994	CONTRACT NO.		 1630 McCarthy Blvd. Milpitas, CA 95035 Phone: (408)432-1900 Fax: (408)434-0507
	APPROVALS	DATE	
	DRAWN MEI	08-02-01	
	CHECKED		
THIRD ANGLE PROJECTION	APPROVED		TITLE SCH, LT3710EFE/LT3781EG/LTC1698EGN DUAL OUTPUT ISOLATED POWER SUPPLY
	ENGINEER		
	DESIGNER		SIZE B CAGE CODE DWG NO DC448A REV 5
DO NOT SCALE DRAWING	Thursday, September 12, 2002	SCALE NONE FILENAME 448A-5.PCB SHEET 2 OF 2	

REVISION HISTORY				
ECO	REV	DESCRIPTION	DATE	APPROVED
	4	PROTO	12/02/02	



NOTES: UNLESS OTHERWISE SPECIFIED,

- ALL RESISTOR VALUES ARE 5%.
- ASSEMBLY: INSTALL ONLY 2 JUMPERS ON PCB. PUT ONE JUMPER ON JP1 AND PUT ONE JUMPER ON JP5-ENABLE. CUSTOMER: INSTALL JUMPER ON JP1 FOR CLASSIFICATION CLASS 1, JP2 FOR CLASS 2, ETC. INSTALL JUMPER ON JP5-ENABLE FOR NORMAL OPERATION. INSTALL JUMPER JP5-DISABLE TO DISABLE 25K OHM SIGNATURE.



UNLESS OTHERWISE SPECIFIED DIMENSIONS ARE IN INCHES TOLERANCE ON ANGLE . . . 2 PLACES . . . 3 PLACES . . . INTERPRET DIM AND TOL PER ASME Y14.5M -1994		CONTRACT NO.				1630 McCarthy Blvd Milpitas, CA 95035 Phone: (408)432-1900 Fax: (408)434-0037	
THIRD ANGLE PROJECTION		APPROVALS				DATE	
		DRAWN: MEI		12-02-02		SCH, LTC4257IS8 IEEE 802.3af PD INTERFACE CONTROLLER	
DO NOT SCALE DRAWING		APPROVED ENGINEER		DESIGNER		SIZE	
Thursday, December 05, 2002		Custom		CAGE CODE		DWG NO	
		SCALE: NONE		FILENAME: 485A-4.DSN		REV	
		SHEET 1		OF 1		4	