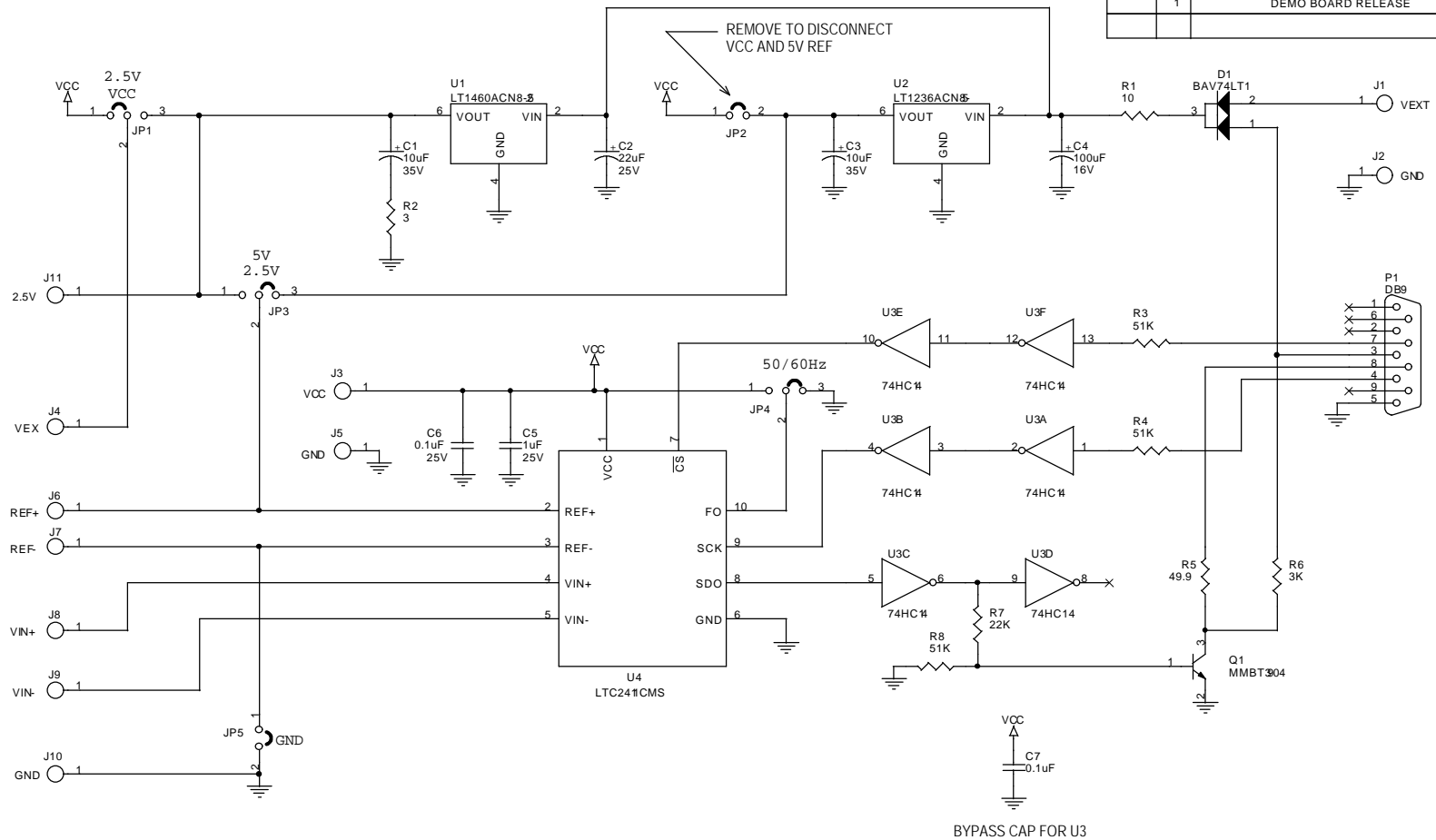



REVISION HISTORY				
ECO	REV	DESCRIPTION	DATE	APPROVED
	1	DEMO BOARD RELEASE	12/29/00	



- NOTES: UNLESS OTHERWISE SPECIFIED
 1. INSTALL JUMPER JP1 AT PIN 1 AND PIN2
 INSTALL JUMPER JP2 AT PIN 1 AND PIN 2
 INSTALL JUMPER JP3 AT PIN 1 AND PIN 2
 2. J4 - J10 ARE BANANA JACK.

UNLESS OTHERWISE SPECIFIED DIMENSIONS ARE IN INCHES TOLERANCE ON ANGLE - - - 2 PLACES - - - 3 PLACES - - - INTERPRET DIM AND TOL PER ASME Y14.5M -1994	CONTRACT NO.		 1630 McCarthy Blvd. Milpitas, CA 95035 Phone: (408)432-1900 Fax: (408)434-0507
	APPROVALS	DATE	
	DRAWN: SANTOS	8/14/00	
	TITLE		
THIRD ANGLE PROJECTION	CHECKED	SCHEMATIC, LTC2411, DIFFERENTIAL INPUT 24-BIT ADC PCB	
APPROVED	ENGINEER	SIZE	CAGE CODE
DESIGNER		B	DWG NO
			DC358A
DO NOT SCALE DRAWING	Monday, November 08000	SCALE: NONE	FILENAME: 358A1.DSN
		SHEET 1	OF 1