

6

5

4

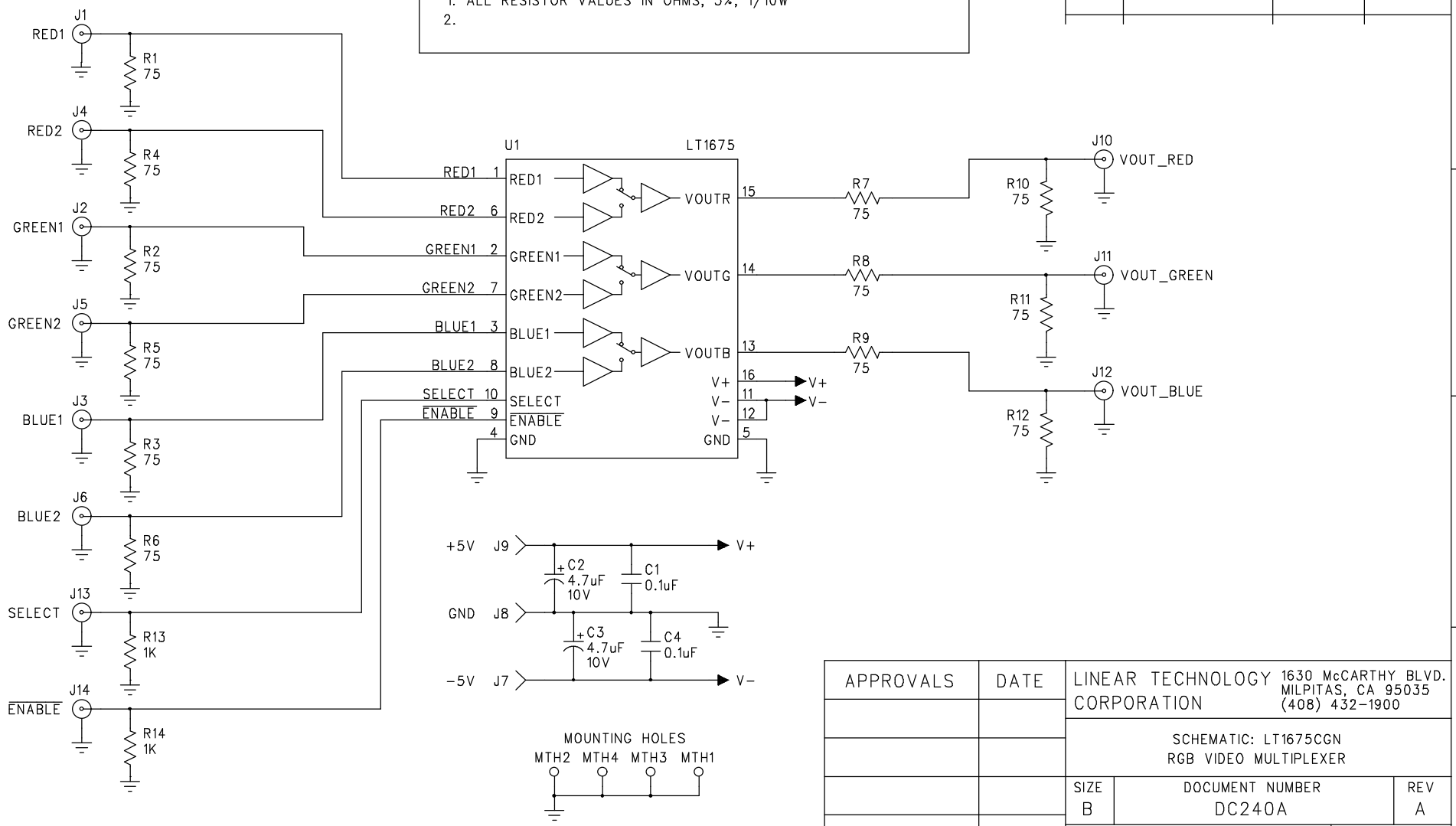
3

2

1

NOTES: unless otherwise specified...
 1. ALL RESISTOR VALUES IN OHMS, 5%, 1/10W
 2.

REVISION RECORD			
REV	DESCRIPTION	APPROVED	DATE
A	PROTO RELEASE		10-27-98



D

C

B

A

APPROVALS	DATE	LINEAR TECHNOLOGY 1630 McCARTHY BLVD. CORPORATION MILPITAS, CA 95035 (408) 432-1900	
		SCHEMATIC: LT1675CGN RGB VIDEO MULTIPLEXER	
		SIZE B	DOCUMENT NUMBER DC240A
		REV A	
		SHEET 1 OF 1	