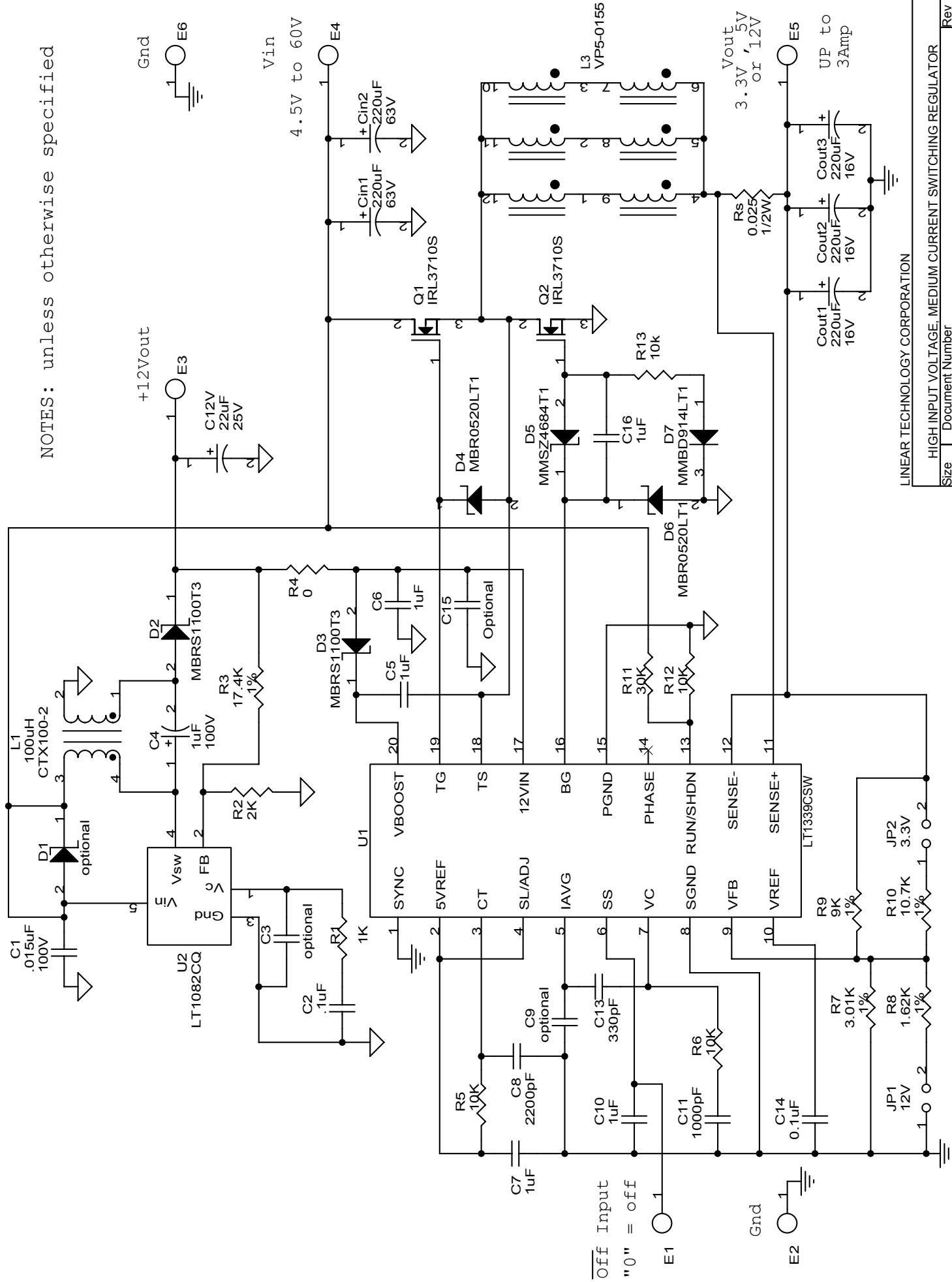


NOTES: unless otherwise specified



LINEAR TECHNOLOGY CORPORATION

HIGH INPUT VOLTAGE, MEDIUM CURRENT SWITCHING REGULATOR

Size	Document Number	Rev
	DEMO DC224	LT1339CSW / LT1082CQ
Date:	Wednesday, December 16, 1998	Sheet 1 of 8