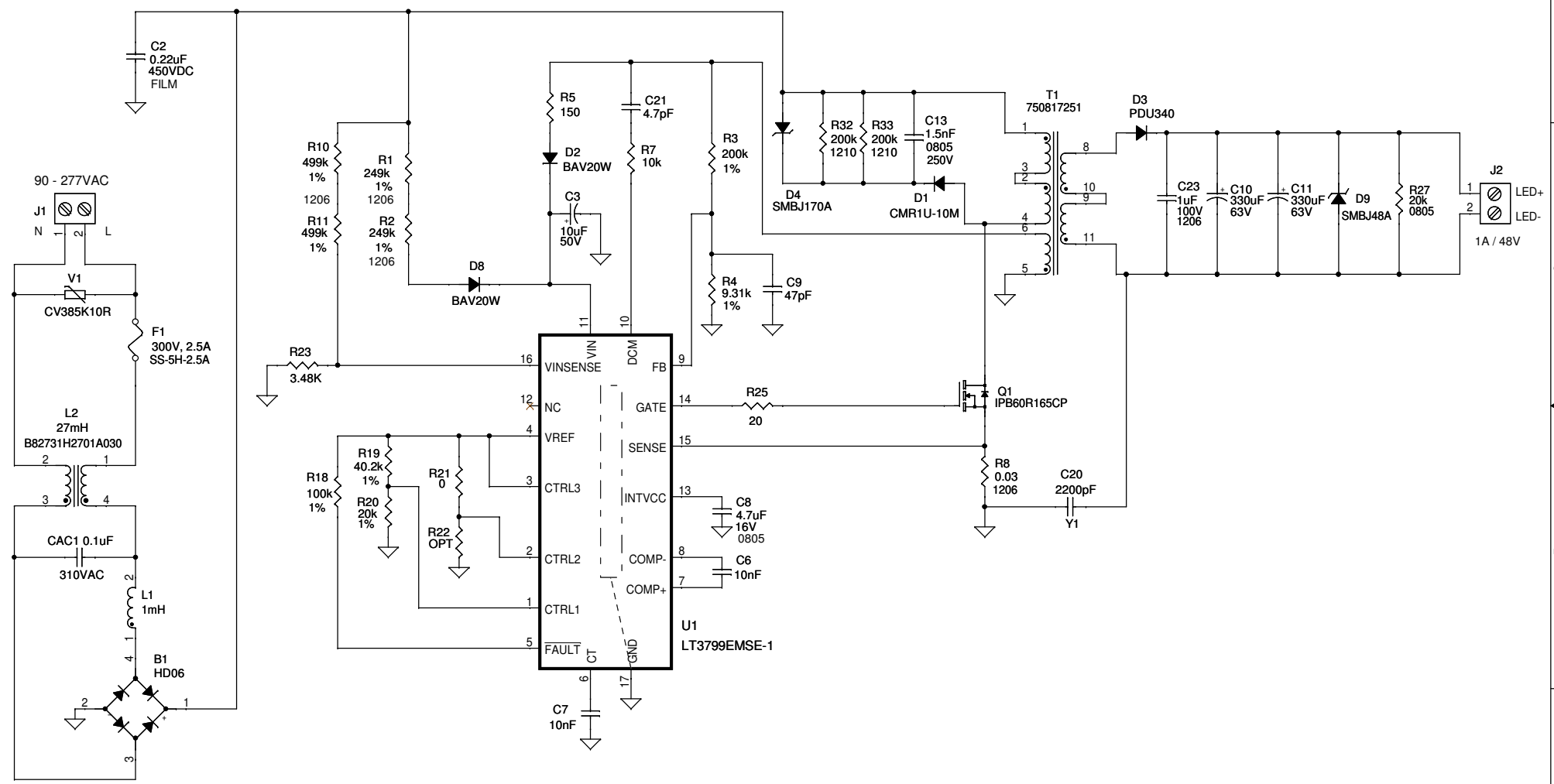


REVISION HISTORY				
ECO	REV	DESCRIPTION	APPROVED	DATE
	2	PRODUCTION	WEI G.	08-15-12

CAUTION: HANDLING HIGH VOLTAGE INVOLVES RISK TO LIFE. COMPLY WITH SAFETY REGULATIONS!



NOTES: UNLESS OTHERWISE SPECIFIED,
1. ALL CAPACITORS AND RESISTORS ARE 0805.

<p>CUSTOMER NOTICE</p> <p>LINEAR TECHNOLOGY HAS MADE A BEST EFFORT TO DESIGN A CIRCUIT THAT MEETS CUSTOMER-SUPPLIED SPECIFICATIONS; HOWEVER, IT REMAINS THE CUSTOMER'S RESPONSIBILITY TO VERIFY PROPER AND RELIABLE OPERATION IN THE ACTUAL APPLICATION. COMPONENT SUBSTITUTION AND PRINTED CIRCUIT BOARD LAYOUT MAY SIGNIFICANTLY AFFECT CIRCUIT PERFORMANCE OR RELIABILITY. CONTACT LINEAR TECHNOLOGY APPLICATIONS ENGINEERING FOR ASSISTANCE.</p> <p>THIS CIRCUIT IS PROPRIETARY TO LINEAR TECHNOLOGY AND SUPPLIED FOR USE WITH LINEAR TECHNOLOGY PARTS.</p>	CONTRACT NO.	1630 McCarthy Blvd. Milpitas, CA 95035 Phone: (408)432-1900 Fax: (408)434-0507 LTC Confidential-For Customer Use Only	
	APPROVALS		
	PCB DES. JW	TITLE: SCHEMATIC	
	ENG. WEI G.	48W OFFLINE ISOLATED FLYBACK LED CONTROLLER WITH ACTIVE PFC	
	SIZE N/A	IC NO. LT3799EMSE-1 DC1947A	REV 2
	DATE: Wednesday, November 28, 2012	SHEET 1 OF 1	