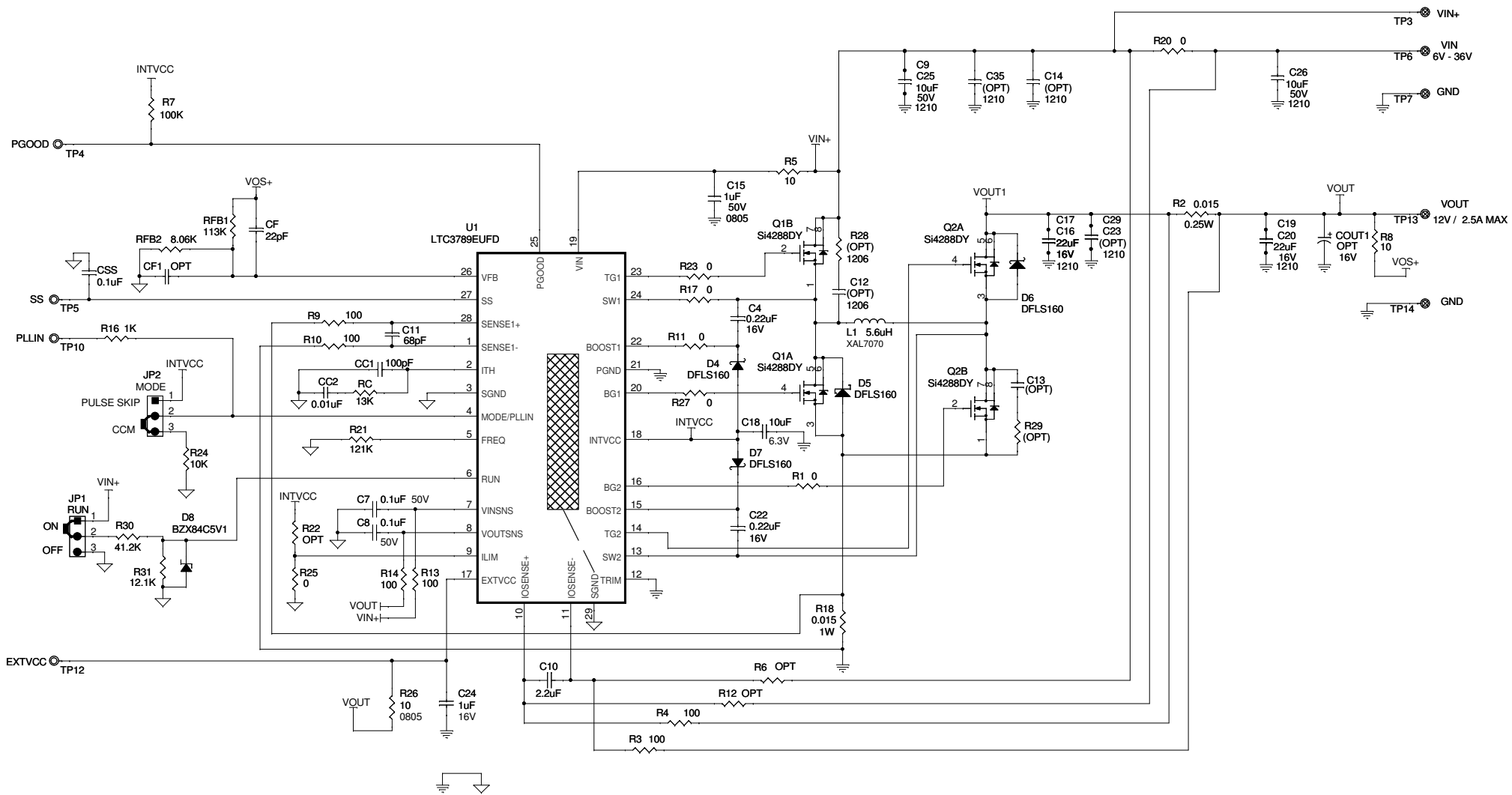



| REVISION HISTORY |     |             |            |         |
|------------------|-----|-------------|------------|---------|
| ECO              | REV | DESCRIPTION | APPROVED   | DATE    |
| -                | 2   | PRODUCTION  | CHARLIE Z. | 4-23-12 |



NOTE: UNLESS OTHERWISE SPECIFIED

1. ALL RESISTORS ARE 0603.
- ALL CAPACITORS ARE 0603.

| CUSTOMER NOTICE  |  | APPROVALS    |            | <br>1630 McCarthy Blvd.<br>Milpitas, CA 95095<br>Phone: (408)432-1900 www.linear.com<br>Fax: (408)434-0507<br>LTC Confidential-For Customer Use Only |              |
|--|--|--------------|------------|---|--------------|
| LINEAR TECHNOLOGY HAS MADE A BEST EFFORT TO DESIGN A CIRCUIT THAT MEETS CUSTOMER-SUPPLIED SPECIFICATIONS; HOWEVER, IT REMAINS THE CUSTOMER'S RESPONSIBILITY TO VERIFY PROPER AND RELIABLE OPERATION IN THE ACTUAL APPLICATION. COMPONENT SUBSTITUTION AND PRINTED CIRCUIT BOARD LAYOUT MAY SIGNIFICANTLY AFFECT CIRCUIT PERFORMANCE OR RELIABILITY. CONTACT LINEAR TECHNOLOGY APPLICATIONS ENGINEERING FOR ASSISTANCE. |  | PCB DES.     | HZ         | TITLE: SCHEMATIC  |              |
|  |  | APP ENG.     | CHARLIE Z. | HIGH EFFICIENCY COMPACT BUCK-BOOST CONVERTER  |              |
|  |  | SCALE = NONE |            | DATE: Tuesday, May 15, 2012   | SHEET 1 OF 1 |
| THIS CIRCUIT IS PROPRIETARY TO LINEAR TECHNOLOGY AND SUPPLIED FOR USE WITH LINEAR TECHNOLOGY PARTS.  |  | SIZE         | N/A        | IC NO.  | LTC3789EUFD  |
|  |  |              |            | REV.  | 2            |
|  |  |              |            |   | 2            |