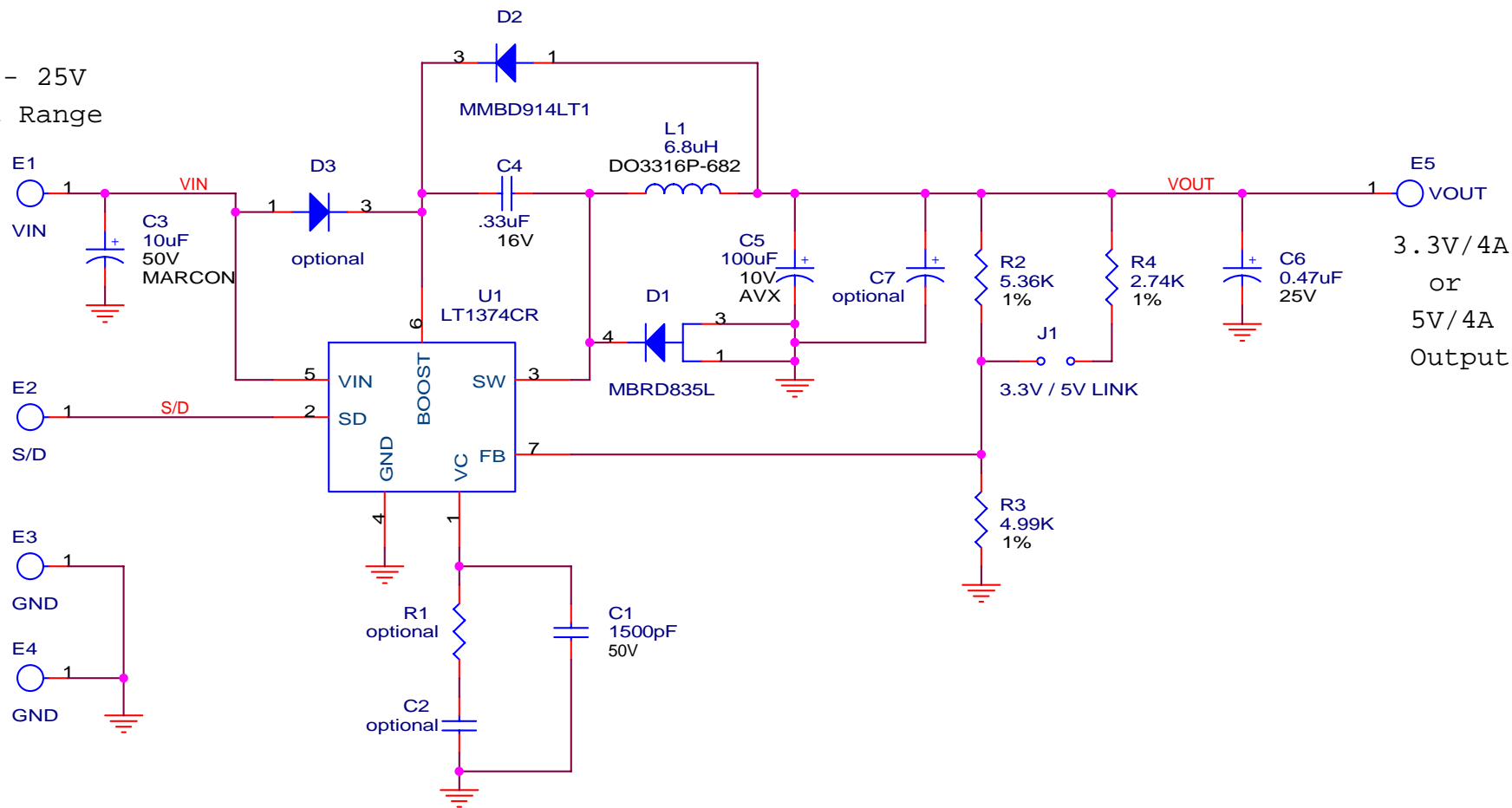


5.5V - 25V  
Input Range



3.3V/4A  
or  
5V/4A  
Output

- NOTES : unless otherwise specified
1. all resistors values in ohms , 1/8w , 5%
  2. all components 1.8mm high

**LINEAR TECHNOLOGY COPORATION**

1630 McCARTHY BLVD.  
MILPITAS, CA 95035  
(408) 432-1900  
(408) 434 - 0507 FAX

Title		
4.5A, 500kHz Step-Down Switching Regulator		
Size	Document Number	Rev
A	DC187A	LT1374CR
Date:	12-09-97	Sheet 1 of 1